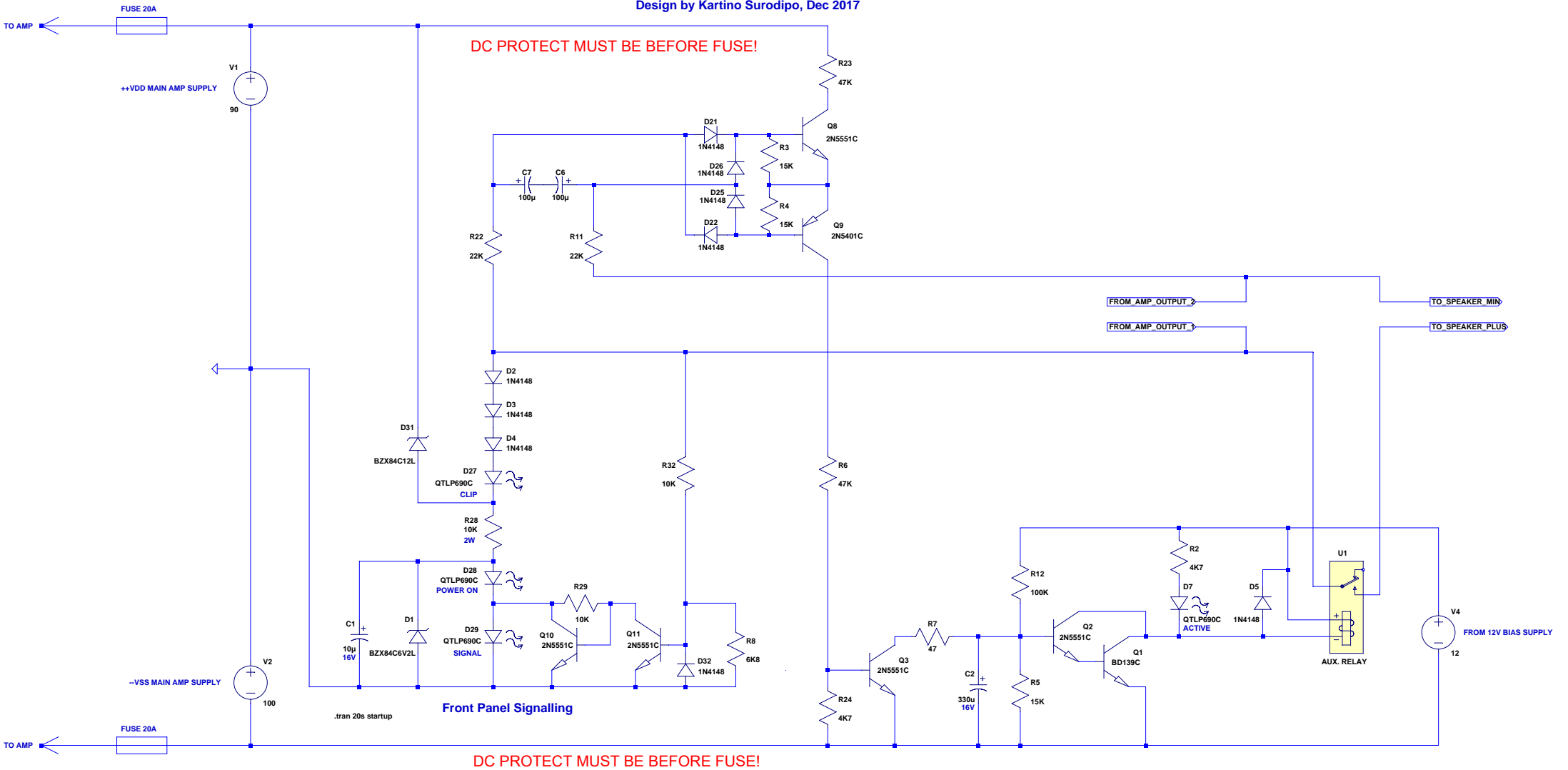
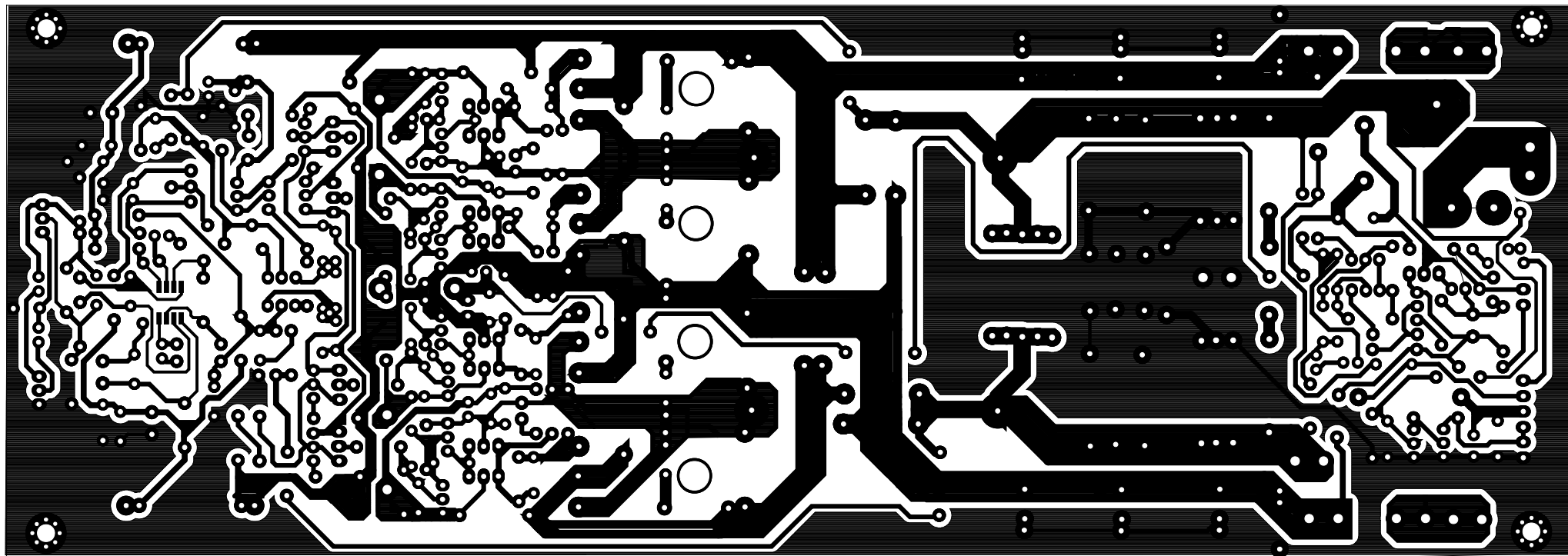


UcD-XLiteFB -- Discrete Class D Amplifier Fullbridge v.3 Match PCB
 Kartino Surodipo, Updated October 2019

CLASS D Signalling & DC Protection for FullBridge V.3

Design by Kartino Surodipo, Dec 2017





UCD XLITE FULLBRIDGE

BY:MR.KARTINO SH

V1.3

