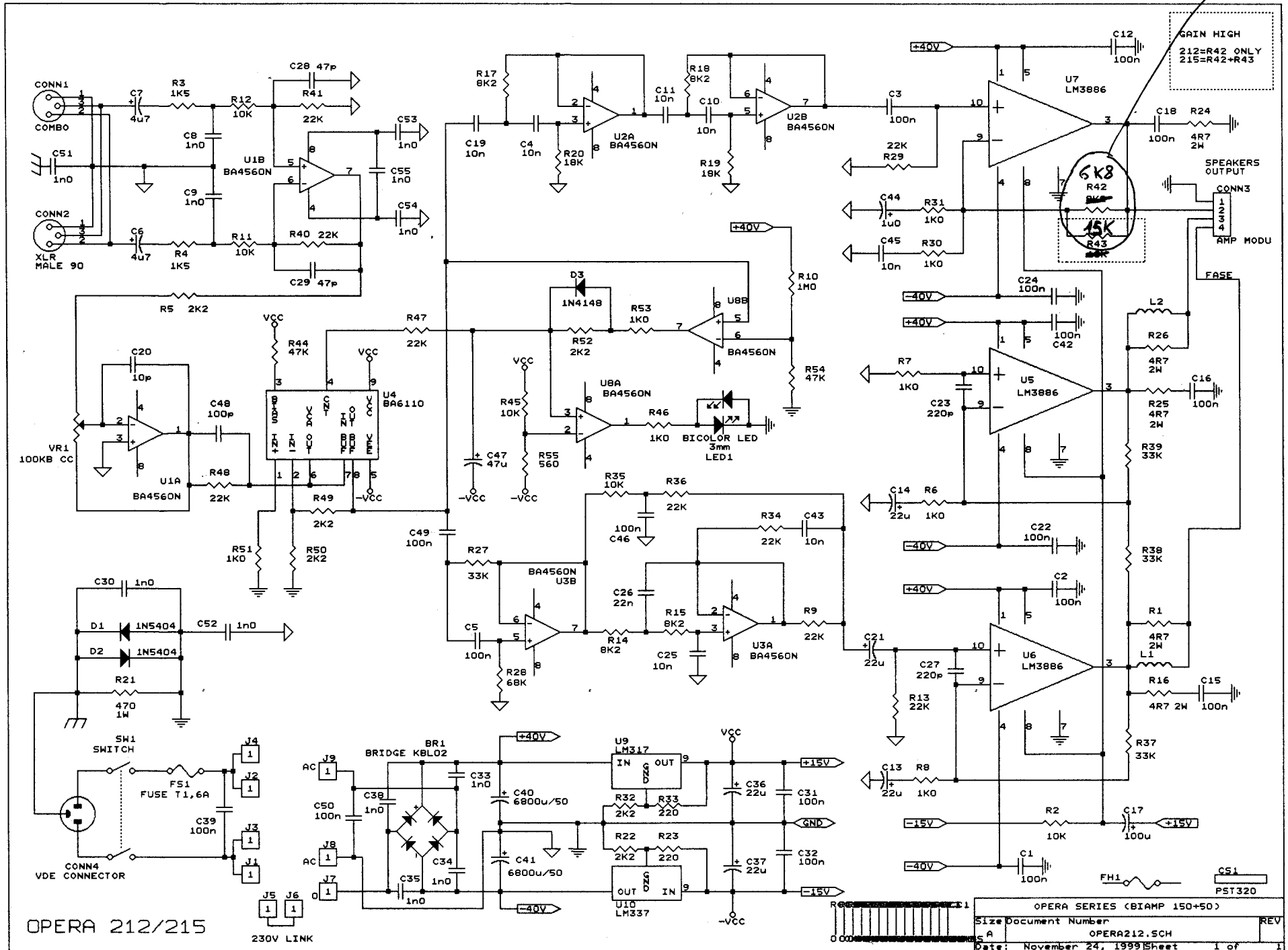


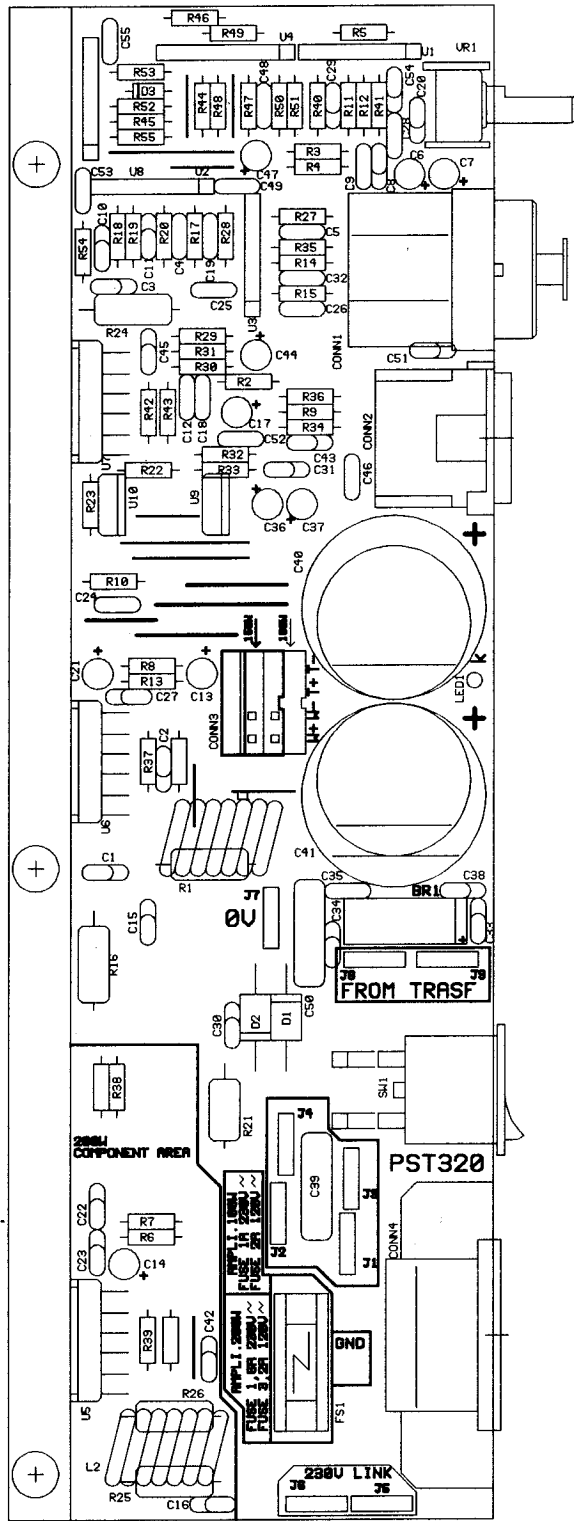
22/12/99
Maxim

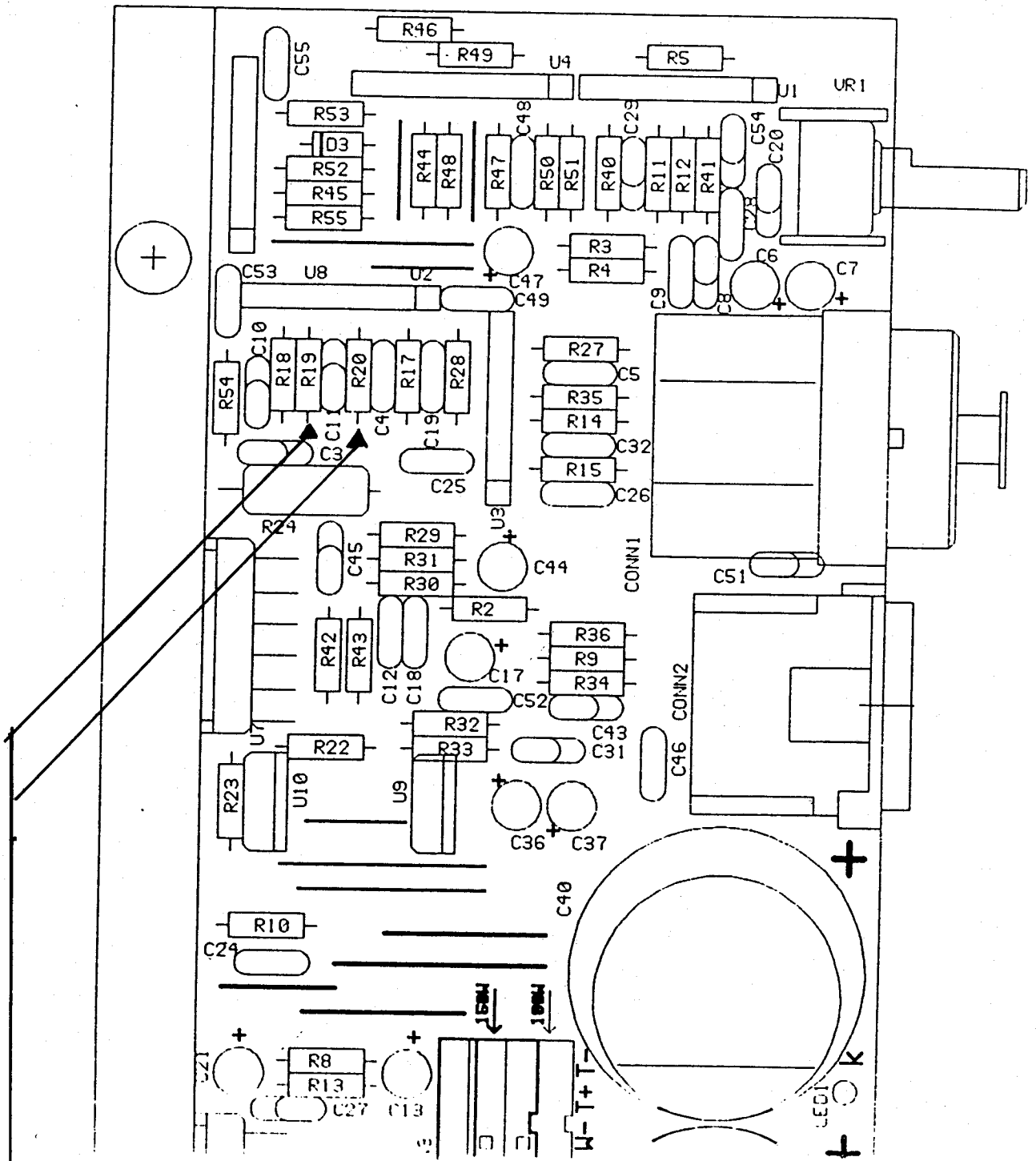


OPERA 212/215

230V LINK

OPERA SERIES (BIAMP 150+50)	
Size Document Number	REV
5 A OPERA212.SCH	
Date: November 24, 1999	Sheet 1 of 1





R19 = from 18K to 15K
 R20 = from 18K to 15K

OPERA 212
 OPERA 215

07/00

Item	Quantity	Reference	Part
1	1	BR1	BRIDGE KBL02
2	1	CONN1	COMBO
3	1	CONN2	XLR MALE 90
4	1	CONN3	AMP MODU
5	1	CONN4	VDE CONNECTOR 90G
6	1	CS1	PST320
7	11	C1,C2,C12,C15,C16,C18, C22,C24,C31,C32,C42	100n CER. CAP. P5
8	4	C3,C5,C46,C49	100n POL. CAP. P5
9	7	C4,C10,C11,C19,C25,C43, C45	10n POL. CAP. P5
10	2	C6,C7	4u7 VERT. ELECT. CAP. 25 VDC
11	12	C8,C9,C30,C33,C34,C35, C38,C51,C52,C53,C54,C55	1n0 CER. CAP. P5
12	5	C13,C14,C21,C36,C37	22u VERT. ELECT. CAP. 25 VDC
13	1	C17	100u VERT. ELECT. CAP. 25 VDC
14	1	C20	10p CER. CAP. NP0 P2,5
15	2	C23,C27	220p CER. CAP. P5
16	1	C26	22n POL. CAP. P5
17	2	C28,C29	47p CER. CAP. NP0 P2,5
18	2	C39,C50	100n MKT 250V P10
19	2	C40,C41	6800u/50 SNAP-IN D30
20	1	C44	1u0 VERT. ELECT. CAP. 25 VDC
21	1	C47	47u VERT. ELECT. CAP. 25 VDC
22	1	C48	100p NP0. CAP. P5
23	2	D1,D2	1N5404 3A DIODE
24	1	D3	1N4148 SIGNAL DIODE
25	1	FH1	FUSEHOLDER 5X20
26	1	FS1	FUSE T1,6A
27	9	J1,J2,J3,J4,J5,J6,J7,J8, J9	FASTON 6.3
28	1	LED1	BICOLOR LED 3mm
29	2	L1,L2	20TURNS D8 W1
30	14	RCC1,RCC2,RCC3,RCC4,RCC5, RCC6,RCC7,RCC8,RCC9, RCC10,RCC11,RCC12,RCC13, RCC14	0 OHMS
31	5	R1,R16,R24,R25,R26	4R7 2W
32	5	R2,R11,R12,R35,R45	10K RESIST 1/4W 5%
33	2	R3,R4	1K5 RESIST 1/4W 5%
34	6	R5,R22,R32,R49,R50,R52	2K2 RESIST 1/4W 5%
35	8	R6,R7,R8,R30,R31,R46,R51, R53	1K0 RESIST 1/4W 5%
36	9	R9,R13,R29,R34,R36,R40, R41,R47,R48	22K RESIST 1/4W 5%
37	1	R10	1M0 RESIST 1/4W 5%
38	4	R14,R15,R17,R18	8K2 RESIST 1/4W 5%
39	2	R19,R20	18K RESIST 1/4W 5%
40	1	R21	470 1W
41	2	R23,R33	220 RESIST 1/4W 5%
42	4	R27,R37,R38,R39	33K RESIST 1/4W 5%
43	1	R28	68K RESIST 1/4W 5%
44	1	R42	6K8

Item	Quantity	Reference	Part
45	1	R43	15K RES GAIN TW
46	2	R44,R54	47K RESIST 1/4W 5%
47	1	R55	560 RESIST 1/4W 5%
48	1	SW1	SWITCH MAIN 90G CS
49	4	U1,U2,U3,U8	BA4560N DUAL LF OP.AMP. SL
50	1	U4	BA6110
51	3	U5,U6,U7	LM3886 AUDIO POWER AMPLIFIER
52	1	U9	LM317 TO220
53	1	U10	LM337 TO220
54	1	VR1	100KB CC 16mm POT