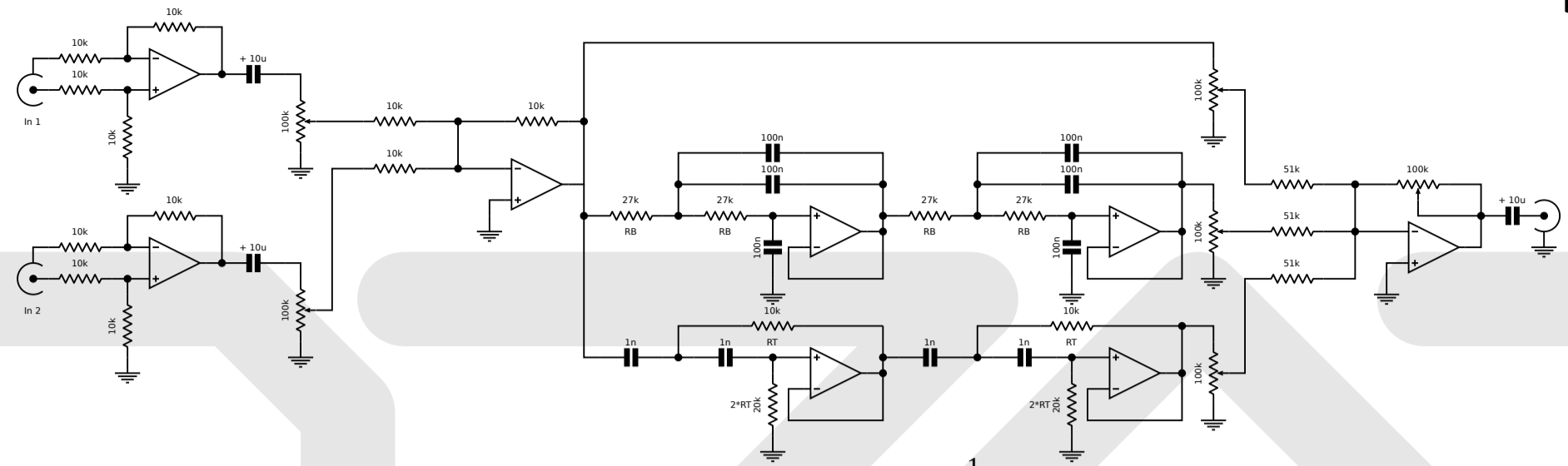


That Thing



$$f = \frac{1}{2 * \pi * \sqrt{2} * R * C}$$

RB	Bass Freq	RT	Treble Freq
27K	41.7Hz	27K	4.17kHz
24K	46.9Hz	24K	4.69kHz
22K	51.2Hz	22K	5.12kHz
20K	56.3Hz	20K	5.63kHz
18K	62.6Hz	18K	6.26kHz
16K	70.4Hz	16K	7.04kHz
15K	75.1Hz	15K	7.51kHz
13K	86.6Hz	13K	8.66kHz
12K	93.8Hz	12K	9.38kHz
11K	102.4Hz	11K	10.24kHz
10K	112.6Hz	10K	11.26kHz

