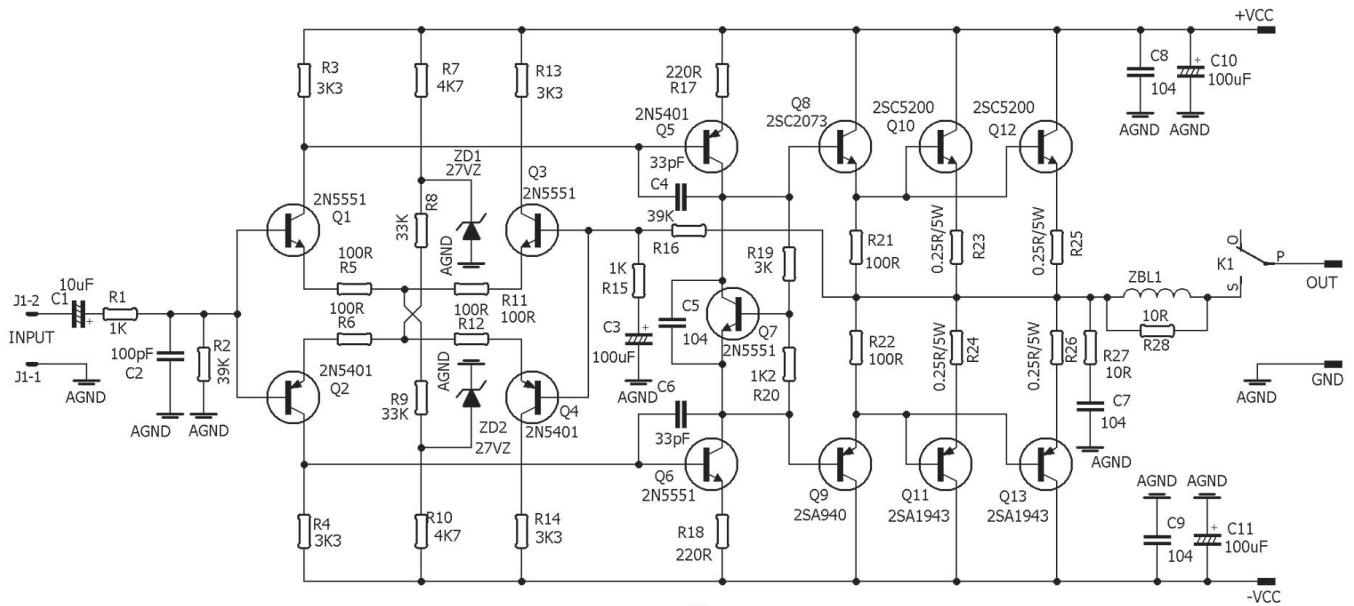
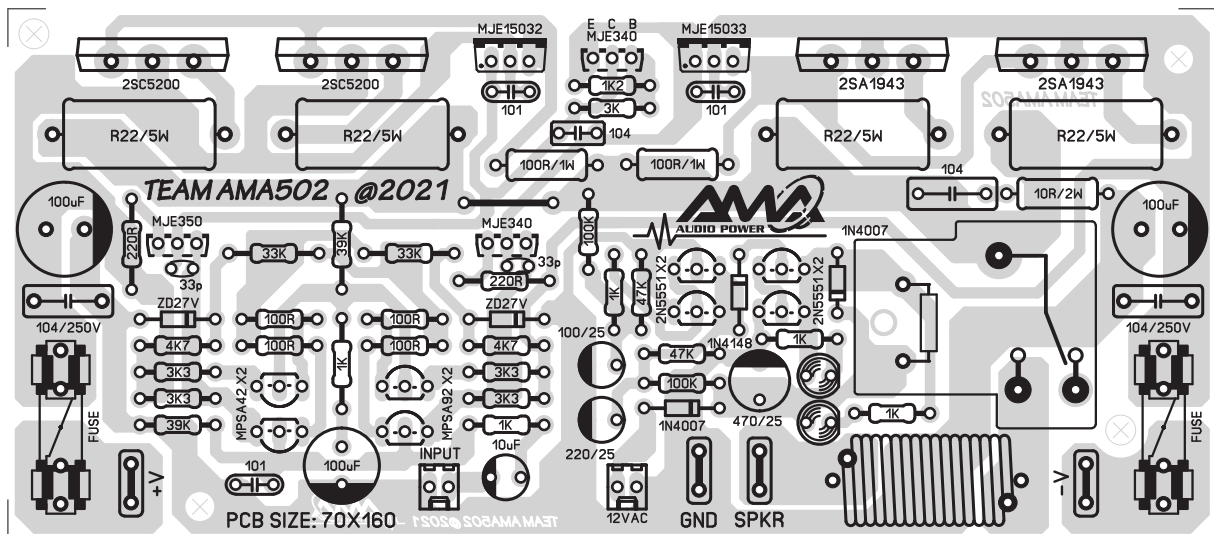


SCHEMATIC FROM (ACR)575PINOY_TECH / 502



(ACR)576PINOY_TECH / 502-10 PONCIANGO AMP / MARCH 8, 2019

PCB PLACEMENT GUIDE OF 502



TEAM AMA PCB LAYOUT OF 502

