

Fig. Updated on: 17-01-2009

MODEL DXA-1802
TITLE CIRCUIT DIAGRAM
INPUT POWER SUPPLY PCB

SHEET : 1 of 4
DRG NO : 06040060 1

PROPRIETARY AND CONFIDENTIAL
 THE INFORMATION CONTAINED IN THIS DRAWING IS THE SOLE PROPERTY OF AHUJA RADIOS. IT IS TO BE KEPT IN CONFIDENTIAL OR AS A TRADE SECRET WITHOUT THE WRITTEN PERMISSION OF THE AHUJA RADIOS IS PROHIBITED.

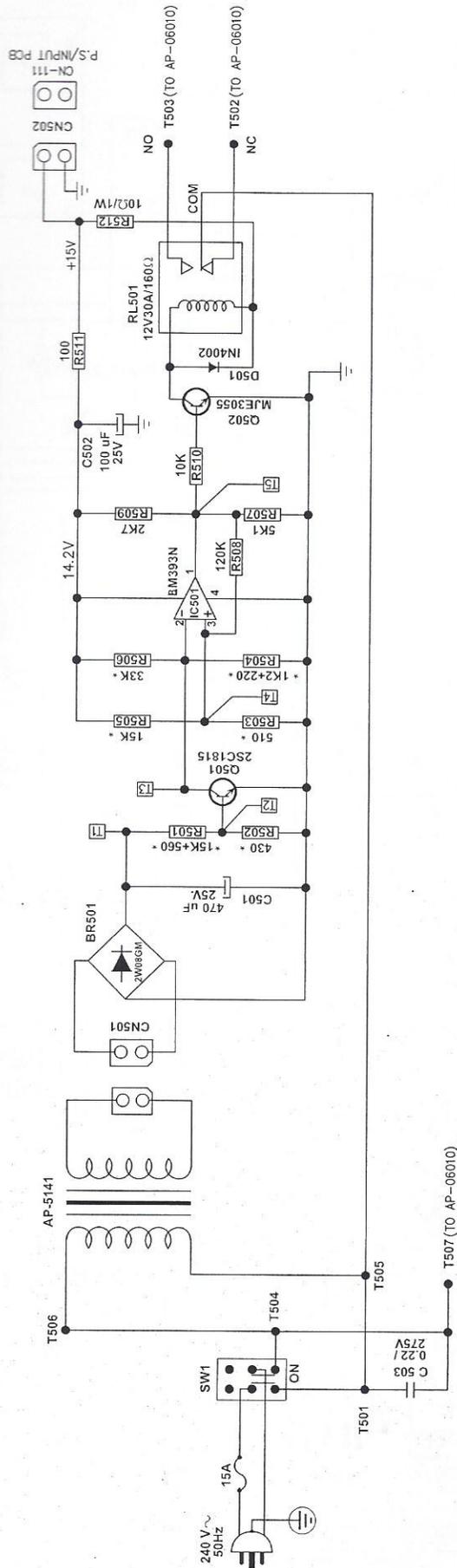
SAJINI NAIR
 CHD/J
 AP/D BY

DATE : 11.04.2006

AHUJA
 AHUJA RADIOS
 215, O.E., NEW DELHI-20.

NOTES :-

1. RESISTANCE VALUES ARE IN OHMS.
2. RESISTORS ARE 1/2W UNLESS OTHERWISE STATED.
3. VOLTAGES ARE DC UNDER NO SIGNAL CONDITIONS.
4. CIRCUIT IS SUBJECT TO CHANGE WITHOUT PRIOR NOTICE.



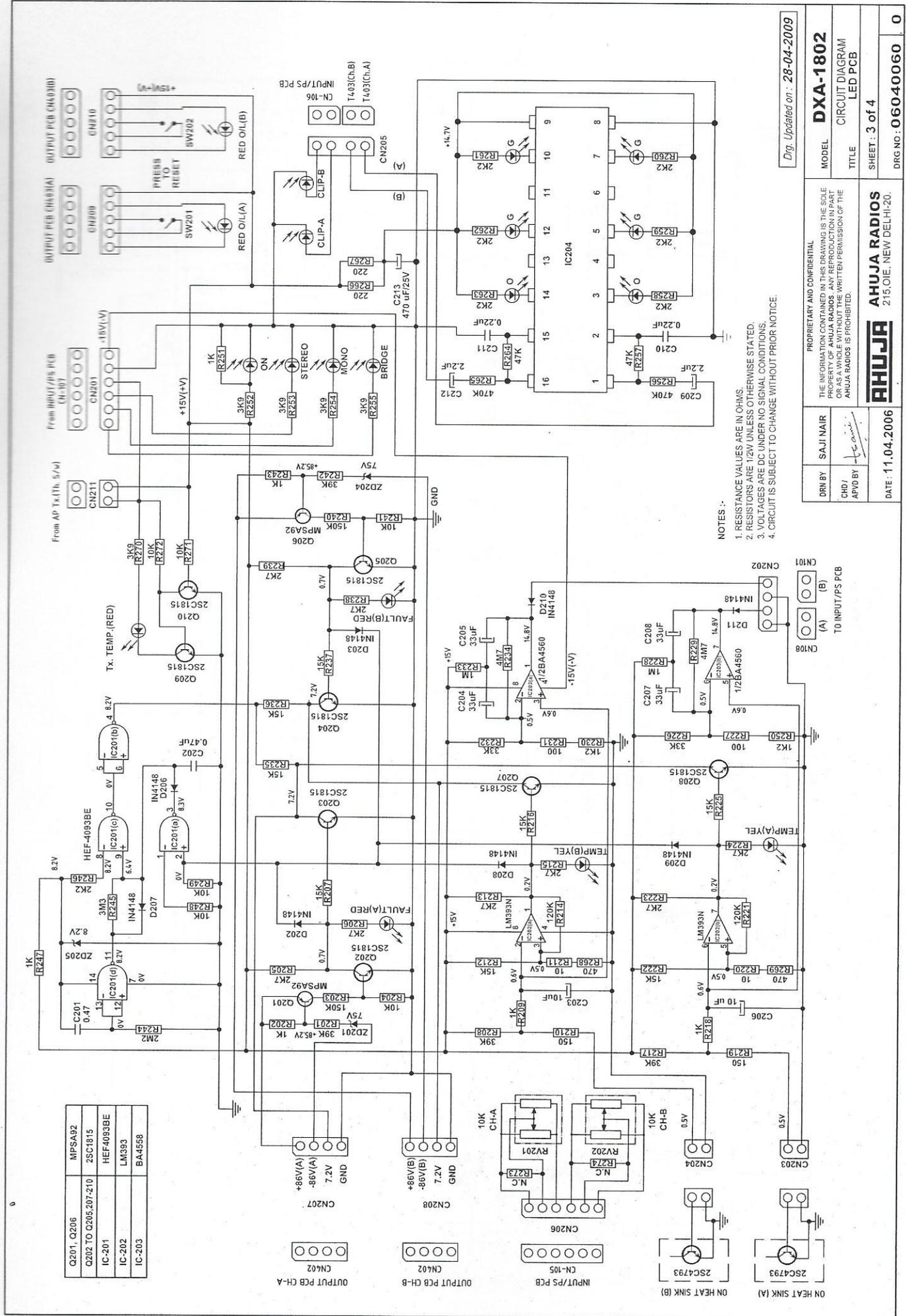
NOTES :-

1. RESISTANCE VALUES ARE IN OHMS.
2. RESISTORS ARE 1/2W UNLESS OTHERWISE STATED.
3. * MARKED RESISTORS TOLERANCE ARE $\pm 1\%$
4. VOLTAGES ARE DC UNDER NO SIGNAL CONDITIONS.
5. CIRCUIT IS SUBJECT TO CHANGE WITHOUT PRIOR NOTICE.

TEST POINT	VOLTS WHEN 250V	WHEN RELAY TRIPS
T1	18.7V	19.7V
T2	0.5V	0.5V
T3	0.5V	0.4V
T4	0.4V	0.5V
T5	0.2V	11.4V

Drig. Updated on : 14-06-2007

DRN BY	SAJI NAIR	PROPRIETARY AND CONFIDENTIAL THE INFORMATION CONTAINED IN THIS DRAWING IS THE SOLE PROPERTY OF AHUJA RADIOS. ANY REPRODUCTION IN PART OR AS A WHOLE WITHOUT THE WRITTEN PERMISSION OF THE AHUJA RADIOS IS PROHIBITED.	MODEL	DXA-1802	
CRD / APD BY	<i>[Signature]</i>		TITLE	OVER VOLTAGE PCB	
DATE:	11.04.2006	SHEET:	2 of 4	DRG NO:	06040060
		AHUJA AHUJA RADIOS 215, O.I.E., NEW DELHI-20.			0



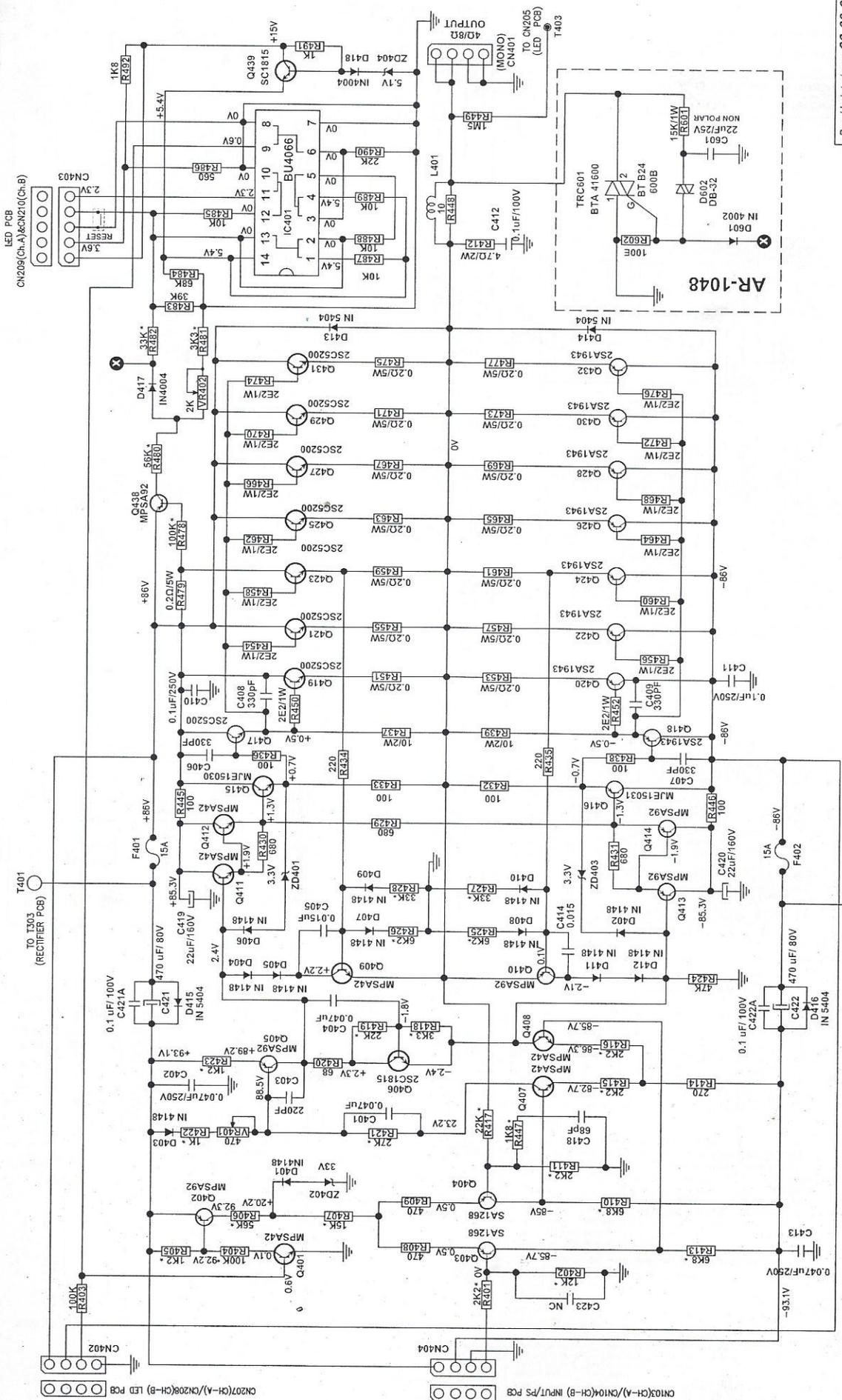
Q201, Q206	MPSA92
Q202 TO Q205, 207-210	2SC1815
IC-201	HEF-4093BE
IC-202	LM393
IC-203	BA4558

NOTES :
 1. RESISTANCE VALUES ARE IN OHMS
 2. RESISTORS ARE 1/2W UNLESS OTHERWISE STATED.
 3. VOLTAGES ARE DC UNDER NO SIGNAL CONDITIONS.
 4. CIRCUIT IS SUBJECT TO CHANGE WITHOUT PRIOR NOTICE.

Model **DXA-1802**
 TITLE **CIRCUIT DIAGRAM LED PCB**
 SHEET : **3 of 4**
 DRG NO : **06040060**

DATE : **11.04.2006**
 PROPRIETARY AND CONFIDENTIAL
 THE INFORMATION CONTAINED IN THIS DRAWING IS THE SOLE PROPERTY OF AHUJA RADIOS. ANY REPRODUCTION IN PART OR AS A WHOLE WITHOUT THE WRITTEN PERMISSION OF THE AHUJA RADIOS IS PROHIBITED.
AHUJA RADIOS
 215, OIE, NEW DELHI-20.

DRN BY **SAJI NAIR**
 CDR/ APD BY *[Signature]*



Dig. Updated on : 29-03-2011
 MODEL **DXA-1802 (MOD.)**
 TITLE **CIRCUIT DIAGRAM OUTPUT PCB**
 SHEET : 4 of 4
 DRG NO : 06040060 0

PROPRIETARY AND CONFIDENTIAL
 THE INFORMATION CONTAINED IN THIS DRAWING IS THE SOLE PROPERTY OF AHUJA RADIOS. ANY REPRODUCTION IN PART OR AS A WHOLE WITHOUT THE WRITTEN PERMISSION OF THE AHUJA RADIOS IS PROHIBITED.
AHUJA
AHUJA RADIOS
 215, OIE, NEW DELHI-20.
 DATE : 11.04.2006

NOTES :-
 1. RESISTANCE VALUES ARE IN OHMS.
 2. RESISTORS ARE 1/2W UNLESS OTHERWISE STATED.
 3. *- MARKED RESISTORS TOLERANCE ARE ±1%
 4. VOLTAGES ARE DC UNDER NO SIGNAL CONDITIONS.
 5. CIRCUIT IS SUBJECT TO CHANGE WITHOUT PRIOR NOTICE.