

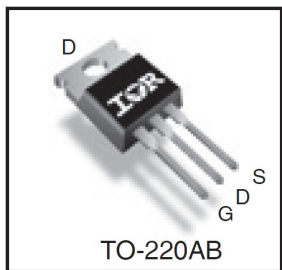
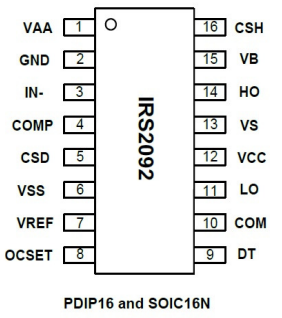
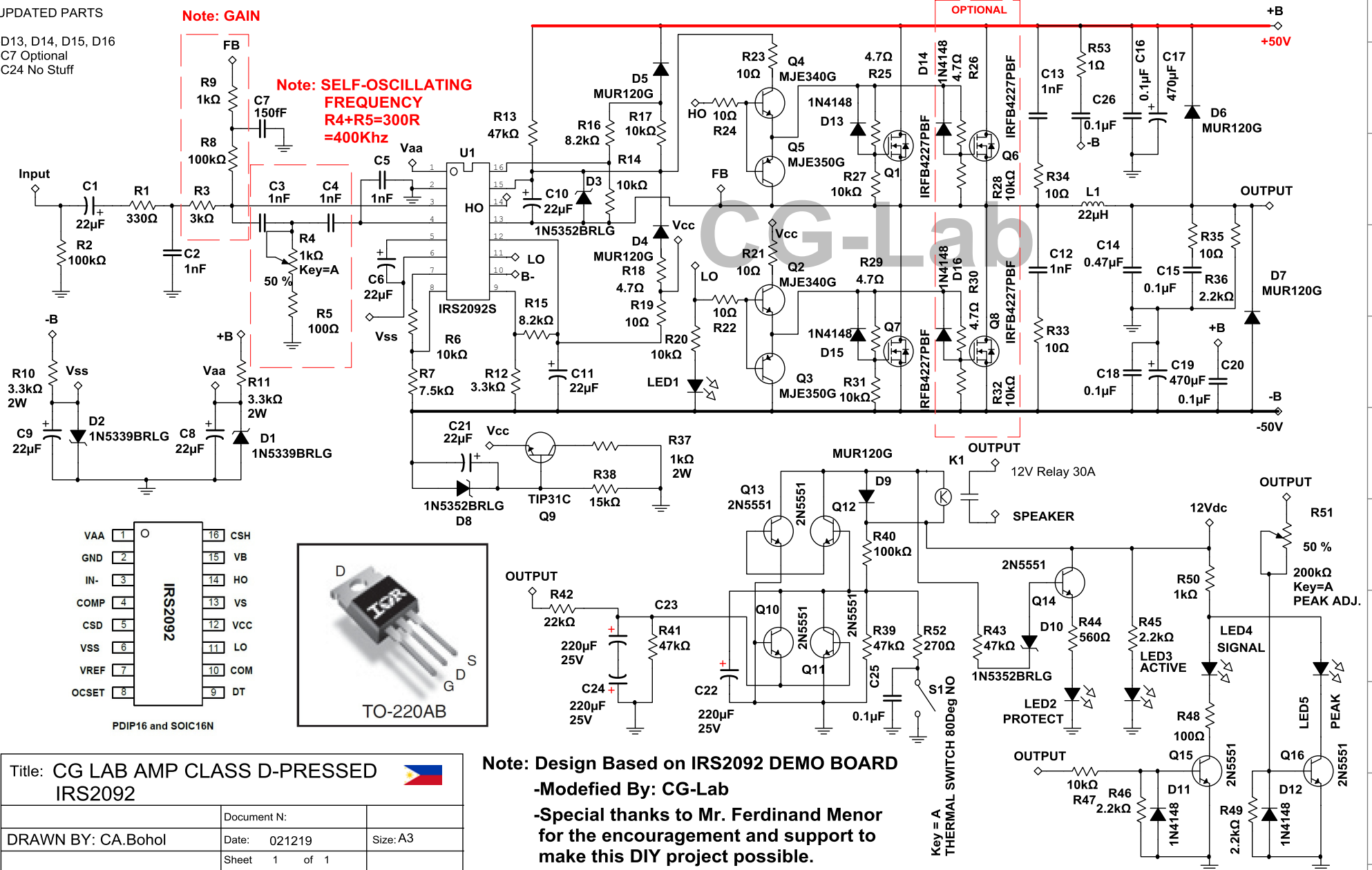
UPDATED PARTS

- D13, D14, D15, D16
- C7 Optional
- C24 No Stuff

Note: GAIN

Note: SELF-OSCILLATING
FREQUENCY
 $R4+R5=300R$
 $=400Khz$

OPTIONAL



Title: CG LAB AMP CLASS D-PRESSED IRS2092		
Document N:		
DRAWN BY: CA.Bohol	Date: 021219	Size: A3
Sheet 1	of 1	

Note: Design Based on IRS2092 DEMO BOARD
-Modified By: CG-Lab
-Special thanks to Mr. Ferdinand Menor
for the encouragement and support to
make this DIY project possible.

KEY = A
THERMAL SWITCH 80Deg NO