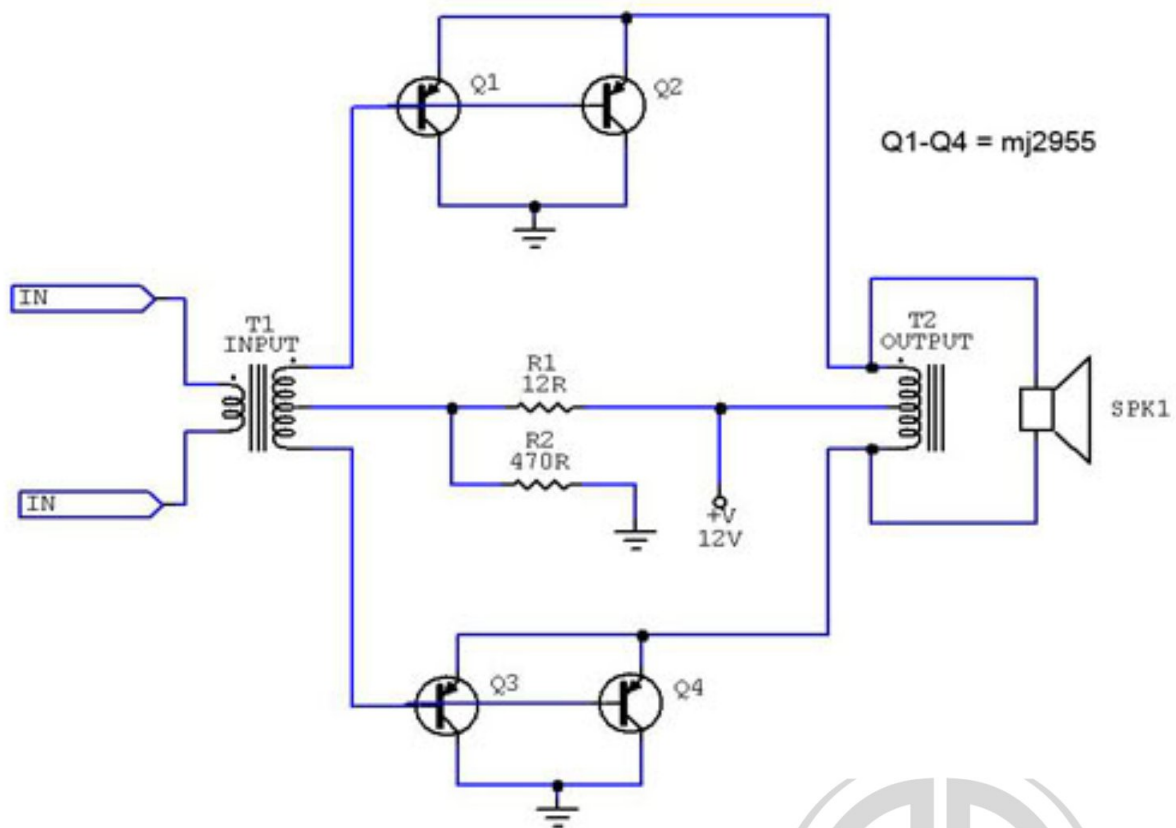


Booster Amplifier

from the book of Marconi S. Pagarigan



COMPONENT PARTLIST:

2pcs. MJ2955 Power Transistor

1pc. 470 ohm 5Watts.

1pc. 20 ohm 5Watts.

1pc. Audio input transformer 15Watts.

1pc. Audio output transformer 50Watts.

➔100W for 100watts operation & add two power transistor.

*Aluminum Case & other accessories.



NOTE;

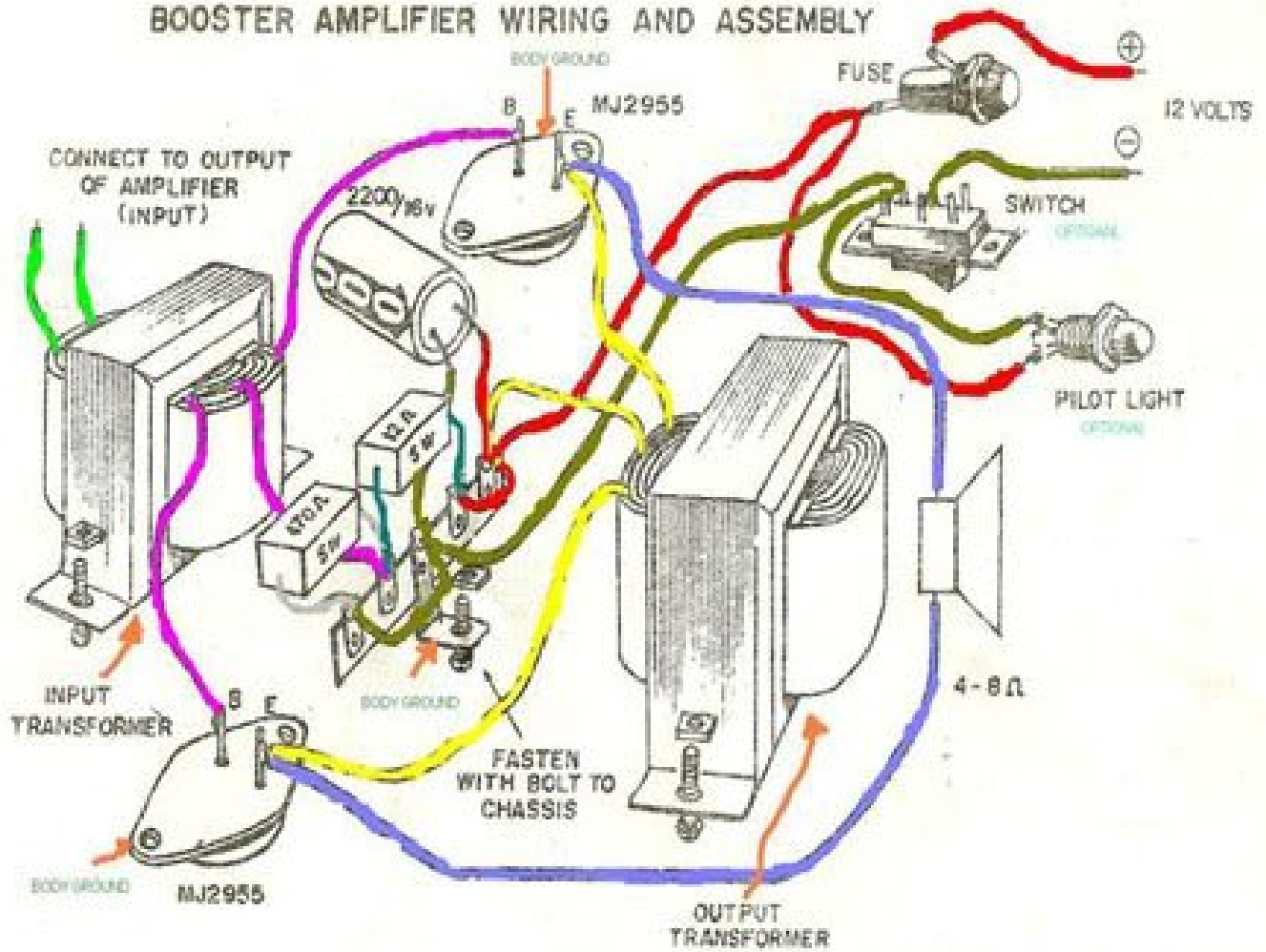
*The value of R1 and R2 470Ω vary from one input transformer to another.

*Common value of R1 is from 4.7Ω, 10Ω, 12Ω up to 15Ω.

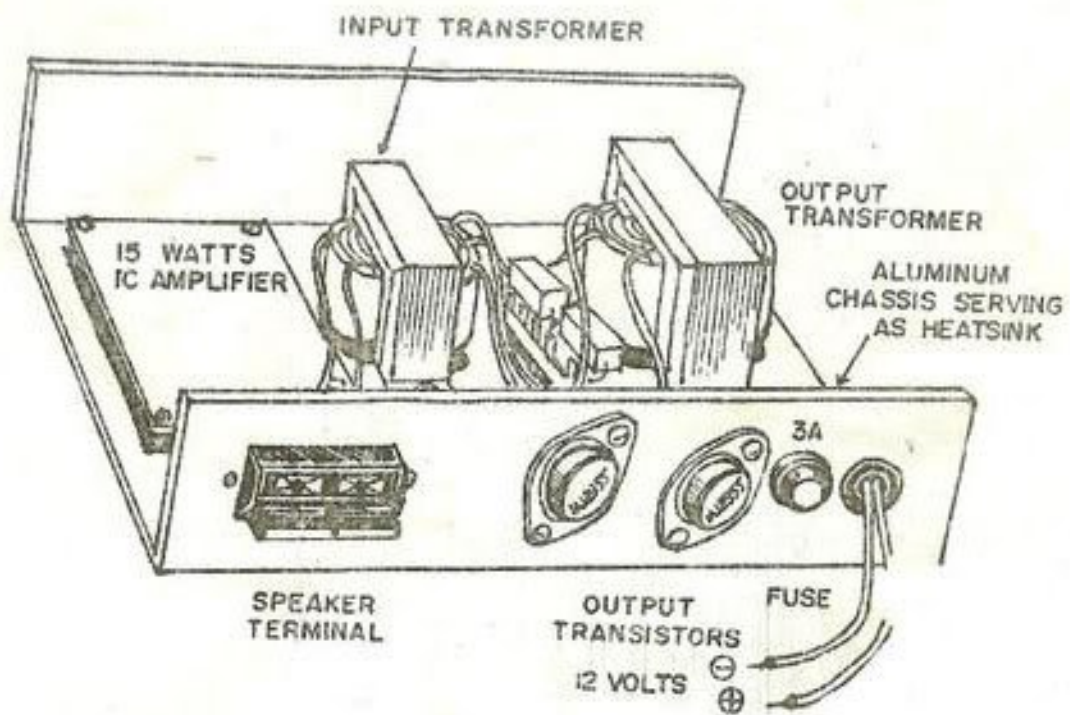
*In case of distortion, try substituting the value of R1.

*In case of excessive heating of output transistor, try to substituting R2 470Ω with a lower value say 330Ω or 390Ω.

BOOSTER AMPLIFIER WIRING AND ASSEMBLY



Note: The value of R_1 12 Ω and R_2 470 Ω vary from one input transformer to another. Common value of R_1 is from 4.7 Ω , 10 Ω , 12 Ω up to 15 Ω . In case of distortion, try substituting the value of R_1 . In case of excessive heating of output transistor, try substituting R_2 470 Ω with a lower value say 330 Ω or 390 Ω .



NOTE: MOUNT OUTPUT TRANSISTORS WITHOUT MICA INSULATORS.

