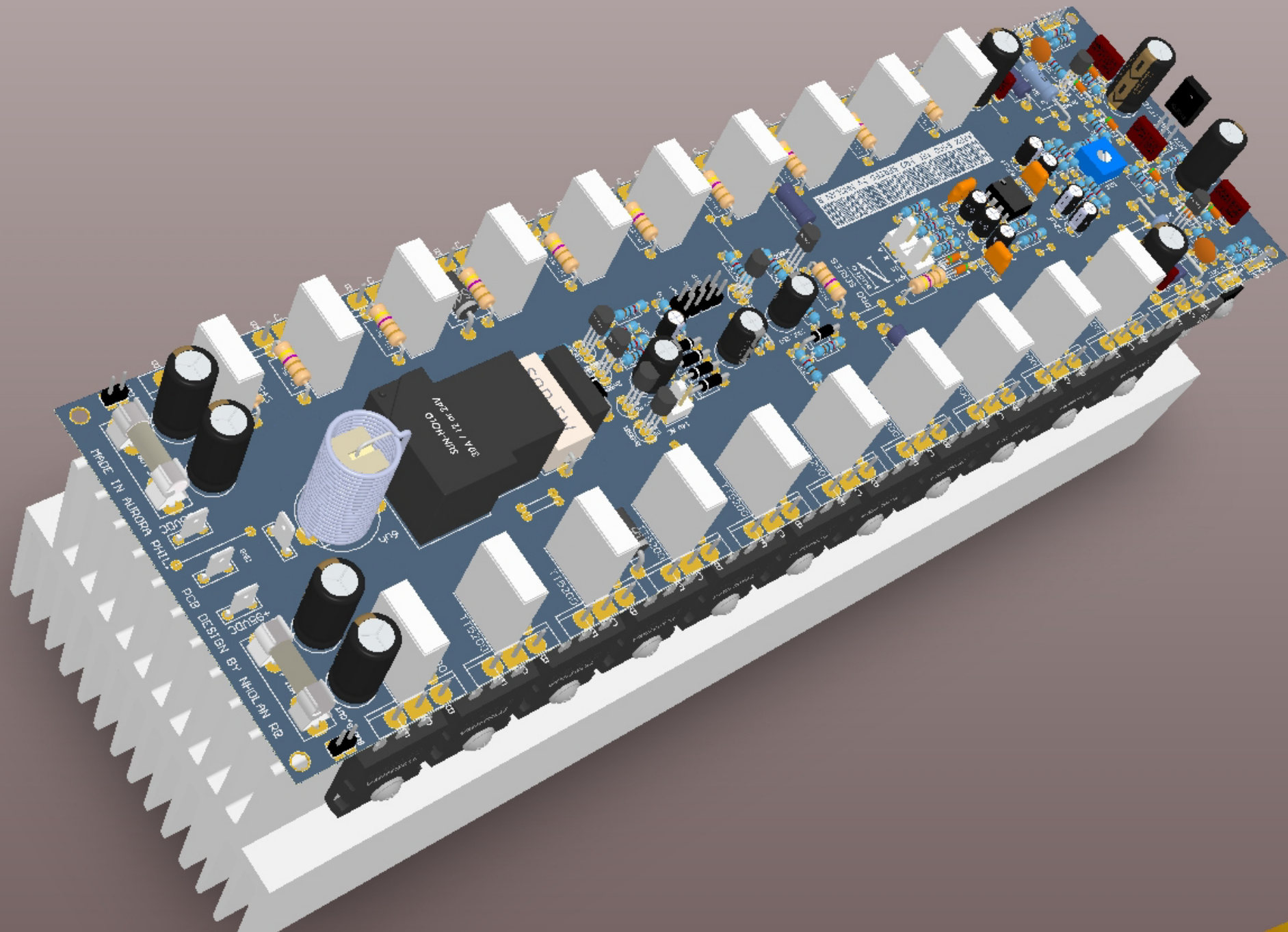


## MODEL: B500 TEF

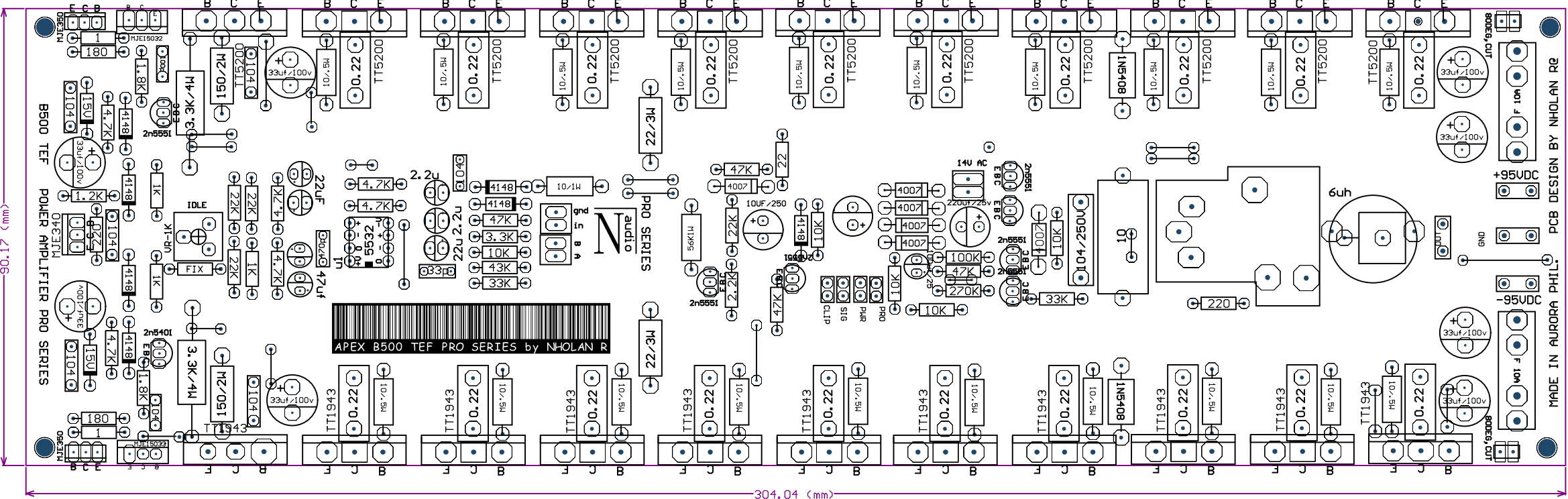
MAX SUPPLY: +95V DC  
WATTS 450W RMS 8OHMS MAX  
PROTECT-DC

- 80DEG.C CUT OF
- DELAY
- CLIP

PCB DESIGN BY NHOLAN R







90.17 (mm)

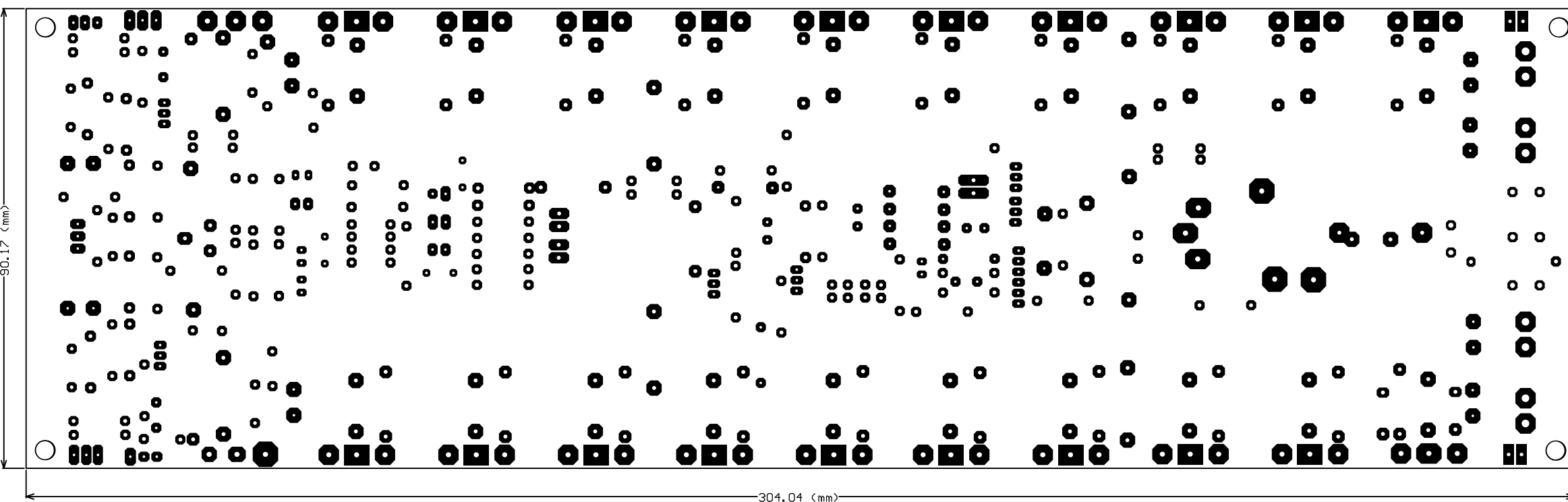
304.04 (mm)

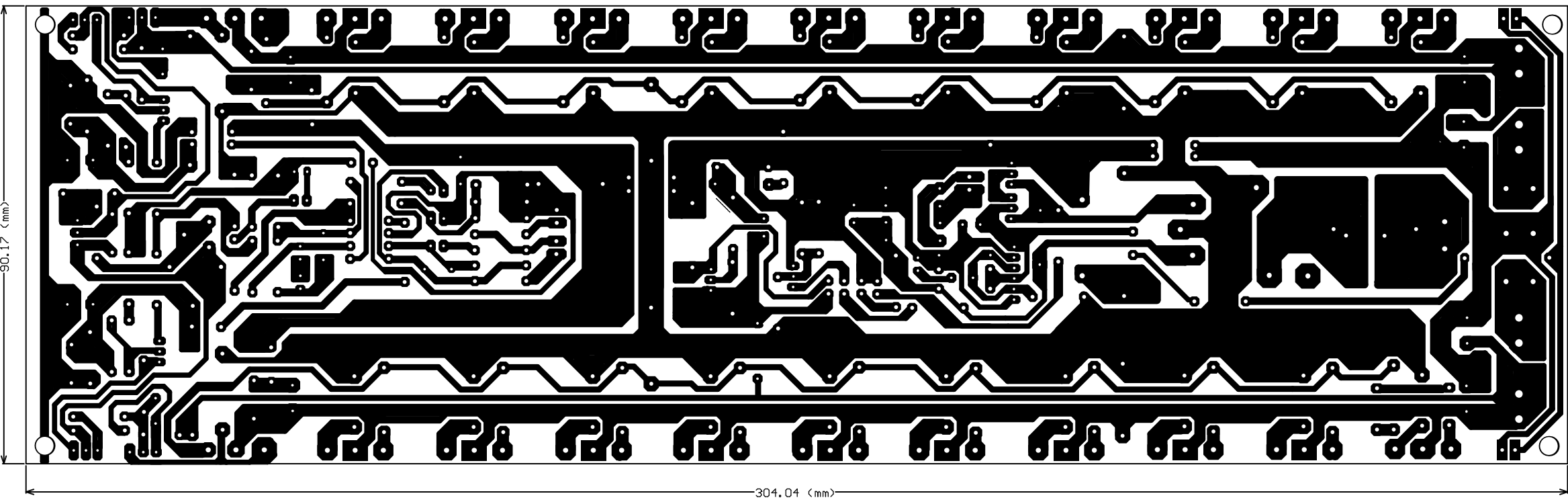


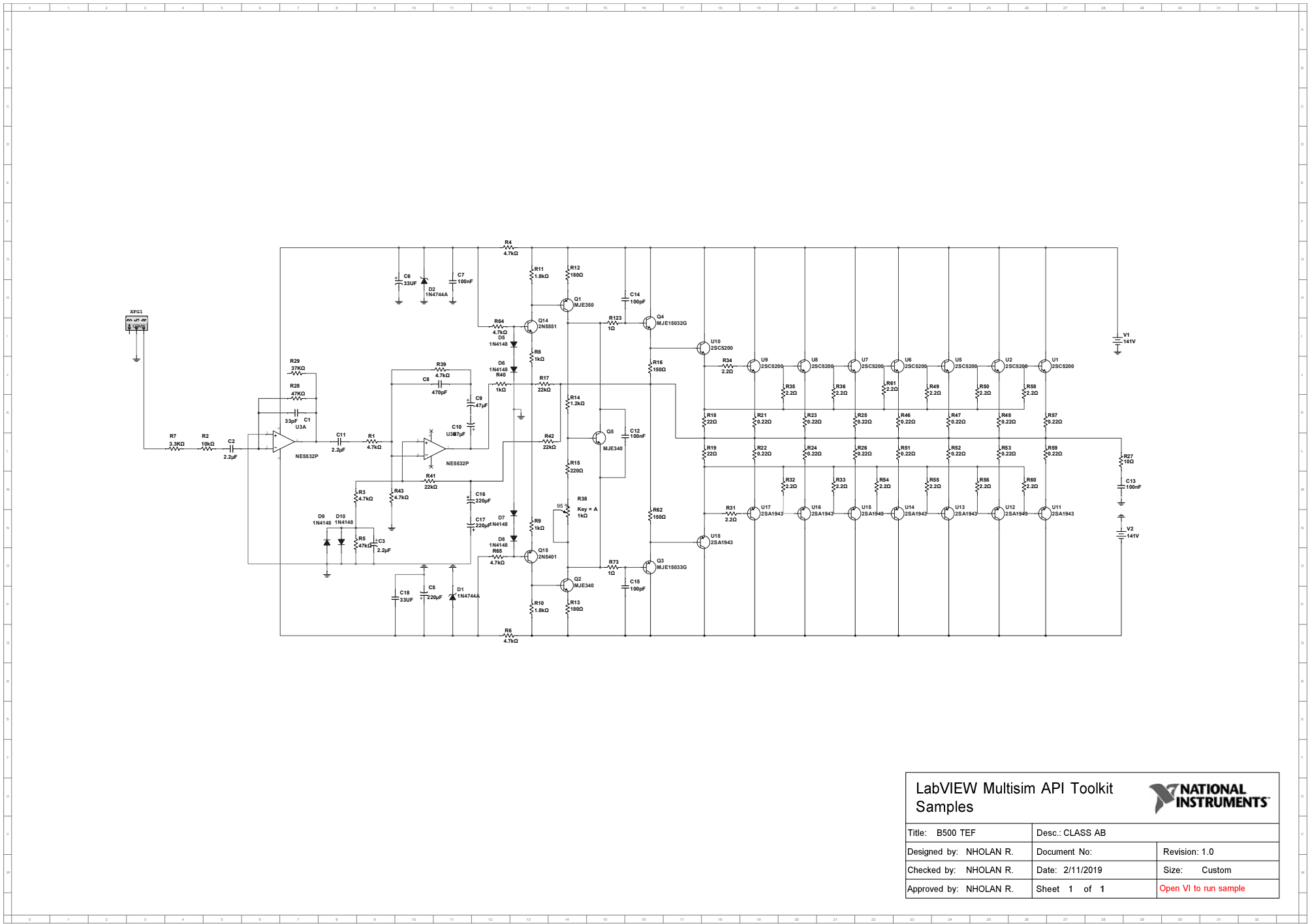
APEX B500 TEF PRO SERIES by NHOLAN R

B500 TEF  
POWER AMPLIFIER PRO SERIES


MADE IN AUSTRALIA PHILIP  
PCB DESIGN BY NHOLAN RQ







LabVIEW Multisim API Toolkit Samples



Title: B500 TEF		Desc.: CLASS AB	
Designed by: NHOLAN R.	Document No:	Revision: 1.0	
Checked by: NHOLAN R.	Date: 2/11/2019	Size: Custom	
Approved by: NHOLAN R.	Sheet 1 of 1	<a href="#">Open VI to run sample</a>	

