



ENCLOSURE DESIGNS



Technology under the service of art

Indice/Index

- Horn Loaded Cabinet
- Bass-Reflex
- Bass-Pass
- 2 Way Bass-Reflex
- 3 Way Bass-Reflex
- 2 Way Stage Monitor
- 18 ''Band-Pass
- 2 Way Closed Box
- 3 Way Closed Box
- Band-Pass Subwoofer
- D'Appolito 2 Way Bass-Reflex
- Final Enclosure Design Page



■ Horn Loaded Cabinet

■ B-01/9

■ Bass-Reflex

■ B-02/9 ■ B-05/9 ■ B-09/9 ■ B-12/9

■ Bass-Pass

■ B-03/9 ■ B-04/9

■ 2 Way Bass-Reflex

■ B-06/9 ■ B-07/9 ■ B-08/9 ■ B-10/9

■ B-13/9 ■ B-18/9 ■ B-19/9 ■ B-20/9

■ B-21/9 ■ B-22/9 ■ B-23/9 ■ B-24/9

■ B-26/9

■ 3 Way Bass-Reflex

■ B-11/9 ■ B-27/9 ■ B-28/9 ■ B-29/9

■ B-30/9 ■ B-33/9

■ 2 Way Stage Monitor

■ B-14/9 ■ B-15/9 ■ B-16/9 ■ B-17/9

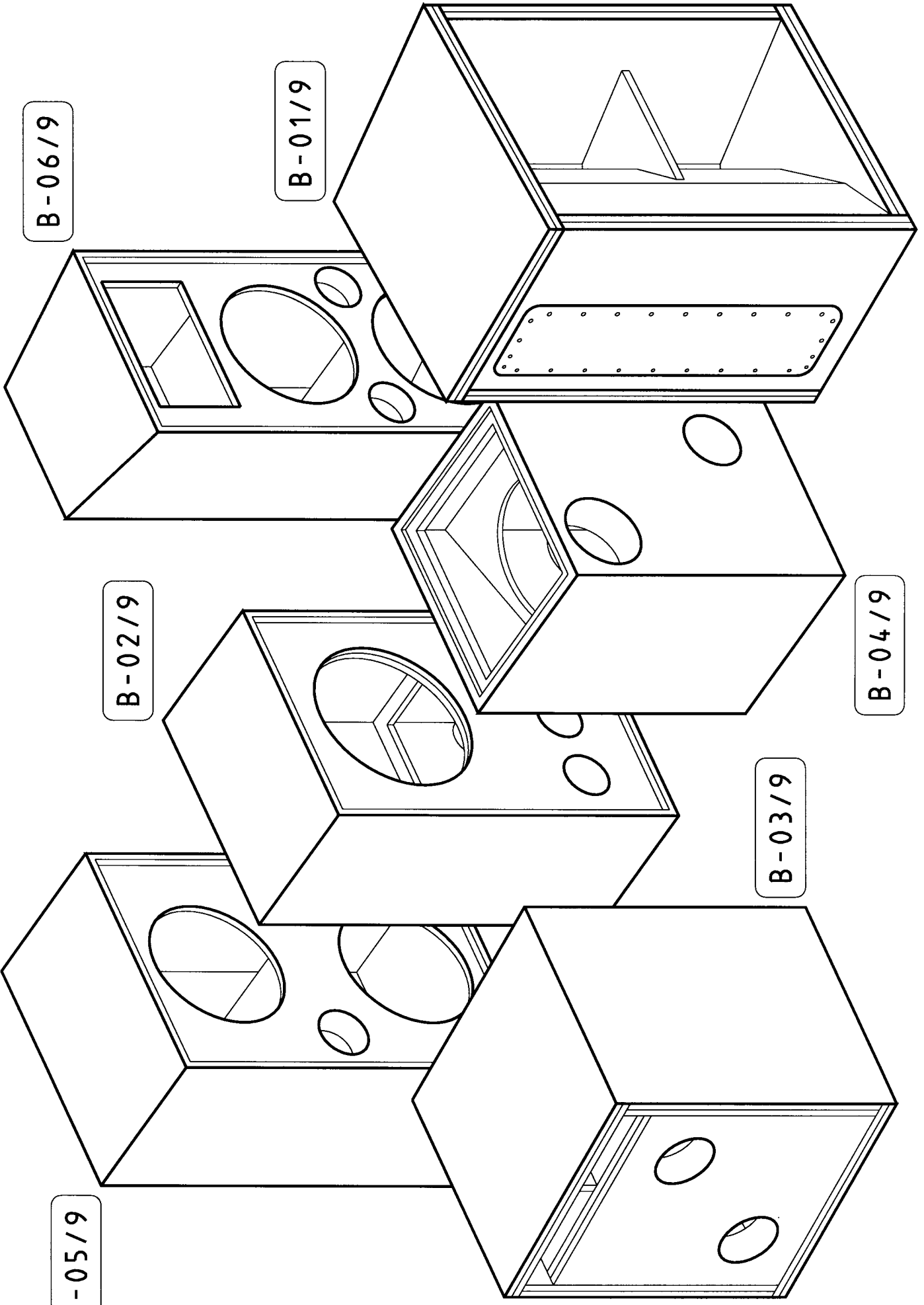
■ 18 ''Band-Pass

■ B-25/9



- 2 Way Closed Box
 - B-34/9
- 3 Way Closed Box
 - B-31/9 ■ B-32/9
- Band-Pass Subwoofer
 - B-35/9
- D'Appolito 2 Way Bass-Reflex
 - B-36/9
- Final Enclosure Design Page
 - B-01/9, B-02/9, B-03/9, B-04/9, B-05/9, B-06/9
 - B-04/9, B-07/9, B-08/9, B-09/9, B-10/9, B-11/9, B-12/9
 - B-13/9, B-14/9, B-15/9, B-16/9, B-17/9, B-18/9
 - B-19/9, B-20/9, B-21/9, B-22/9, B-23/9, B-24/9, B-25/9, B-26/9
 - B-27/9, B-28/9, B-29/9, B-30/9, B-31/9, B-32/9, B-33/9, B-34/9, B-35/9, B-36/9





B-06/9

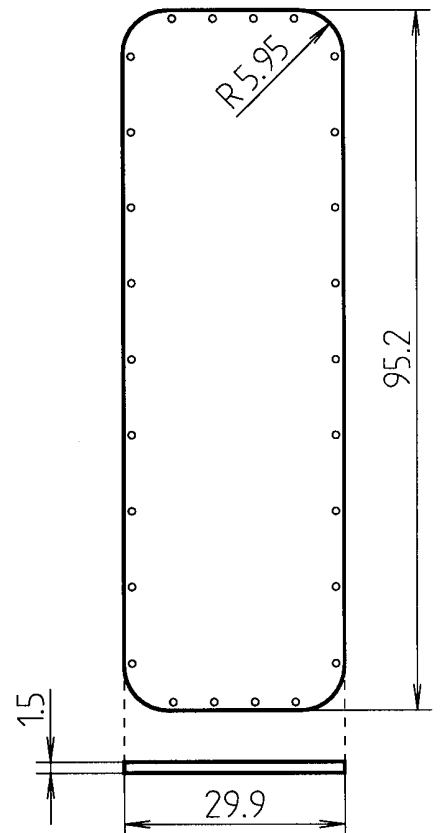
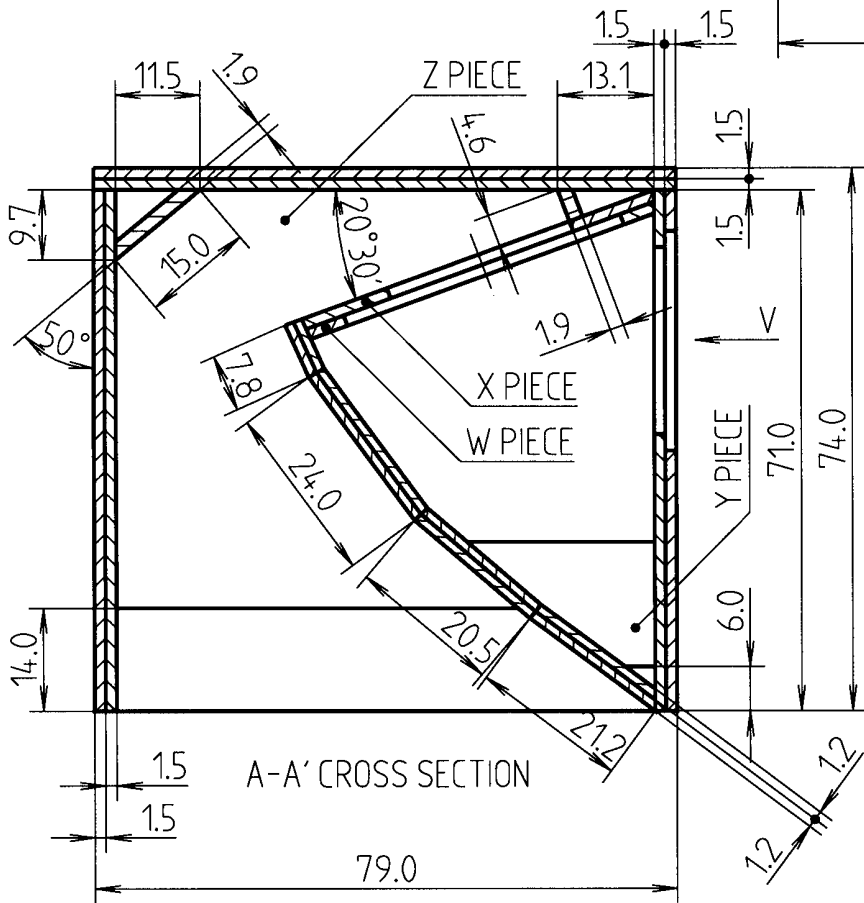
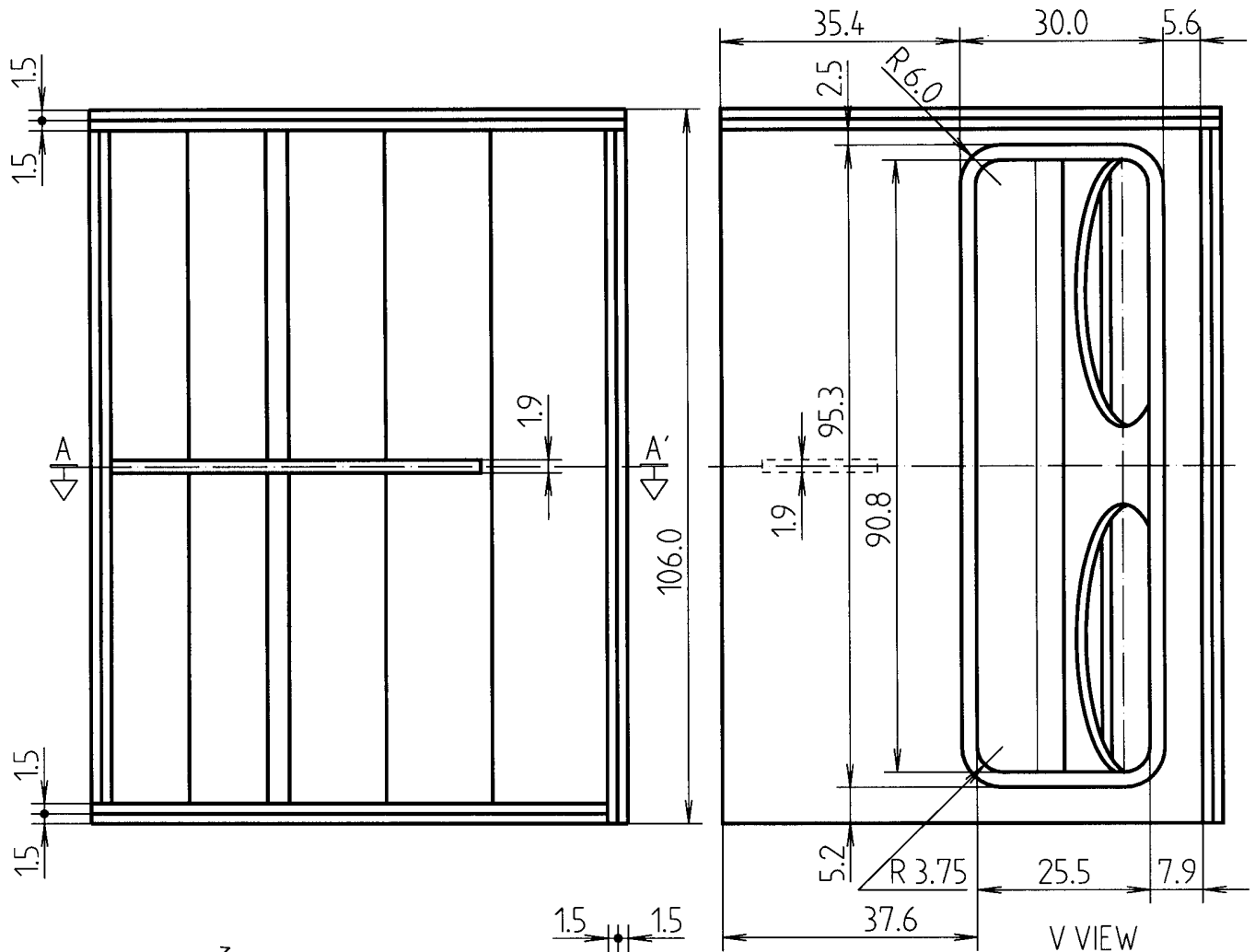
B-01/9

B-02/9

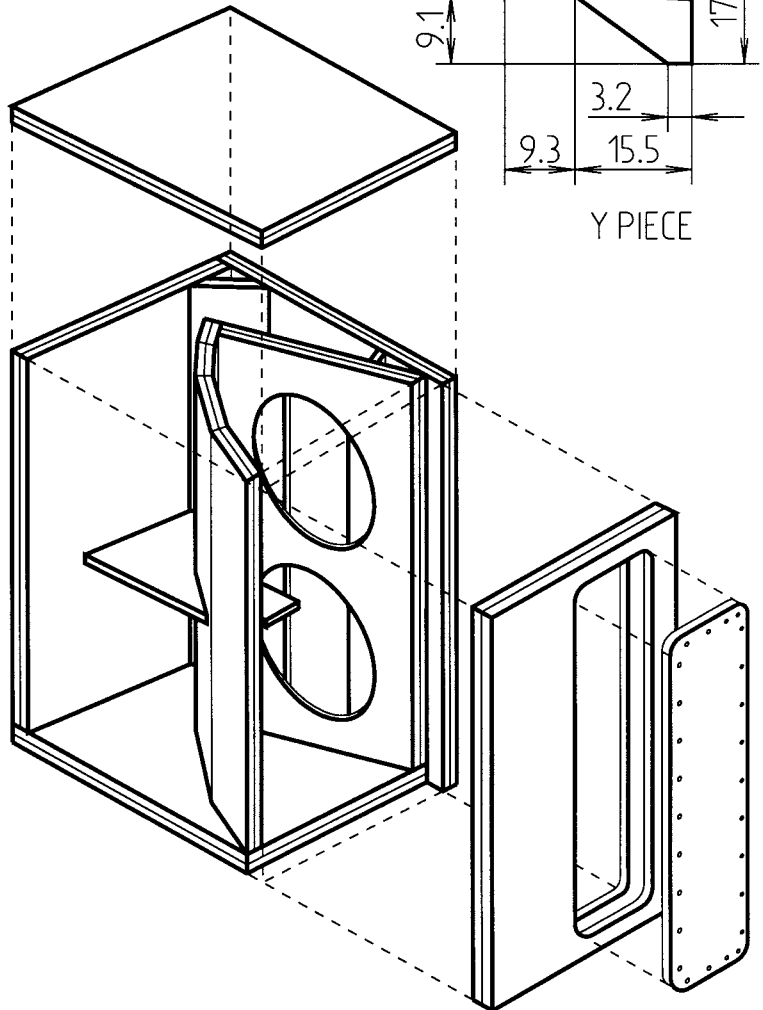
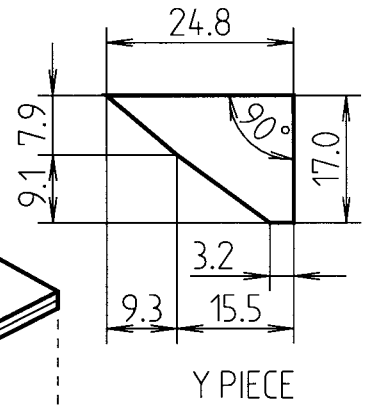
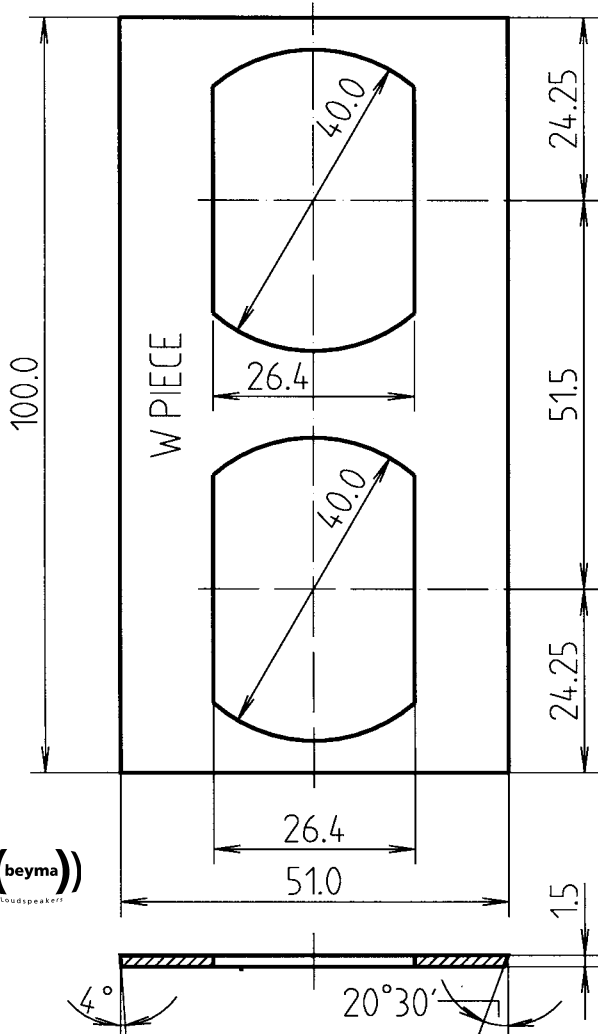
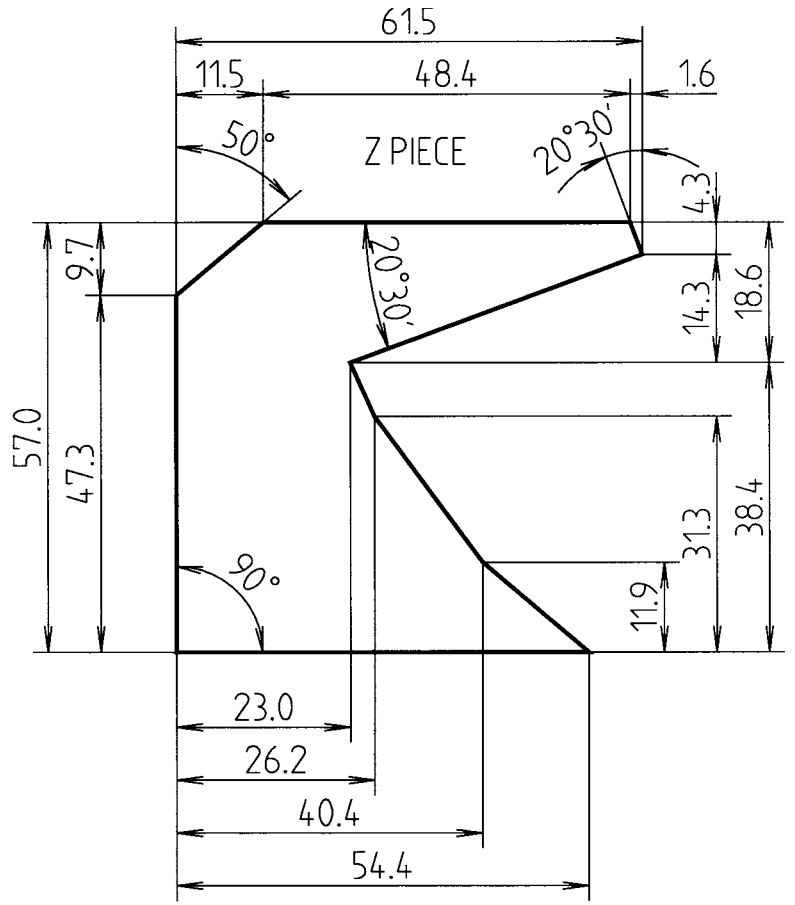
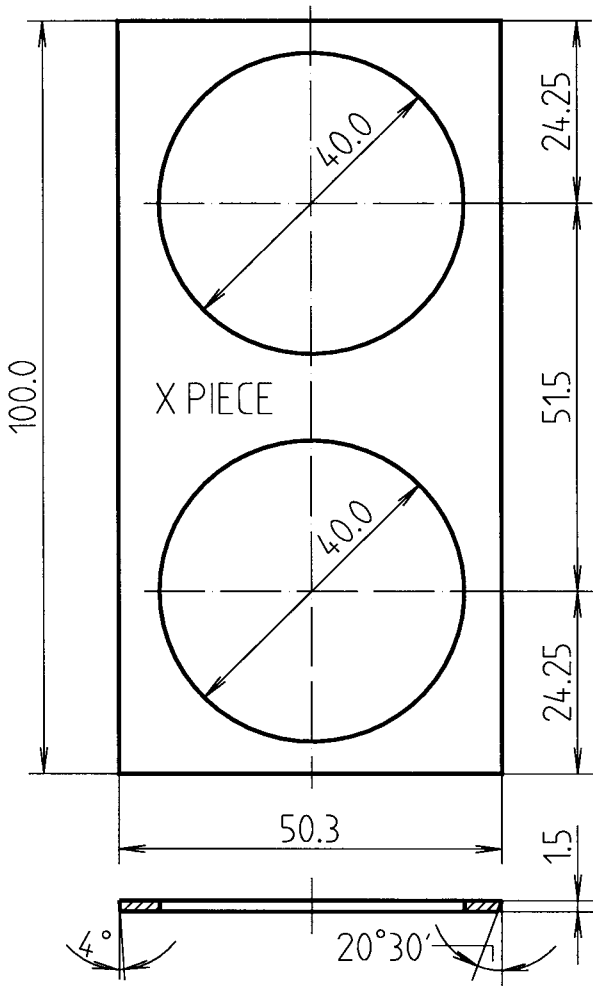
B-04/9

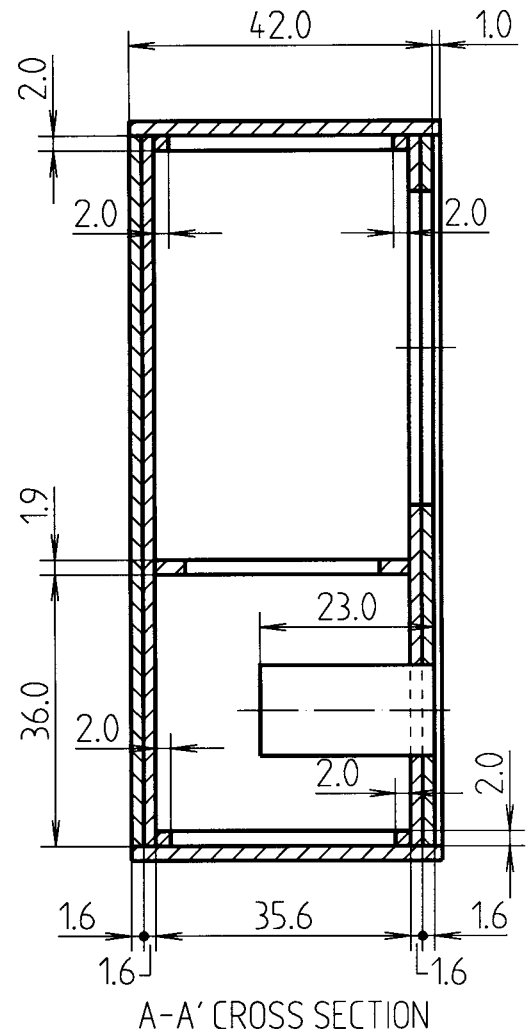
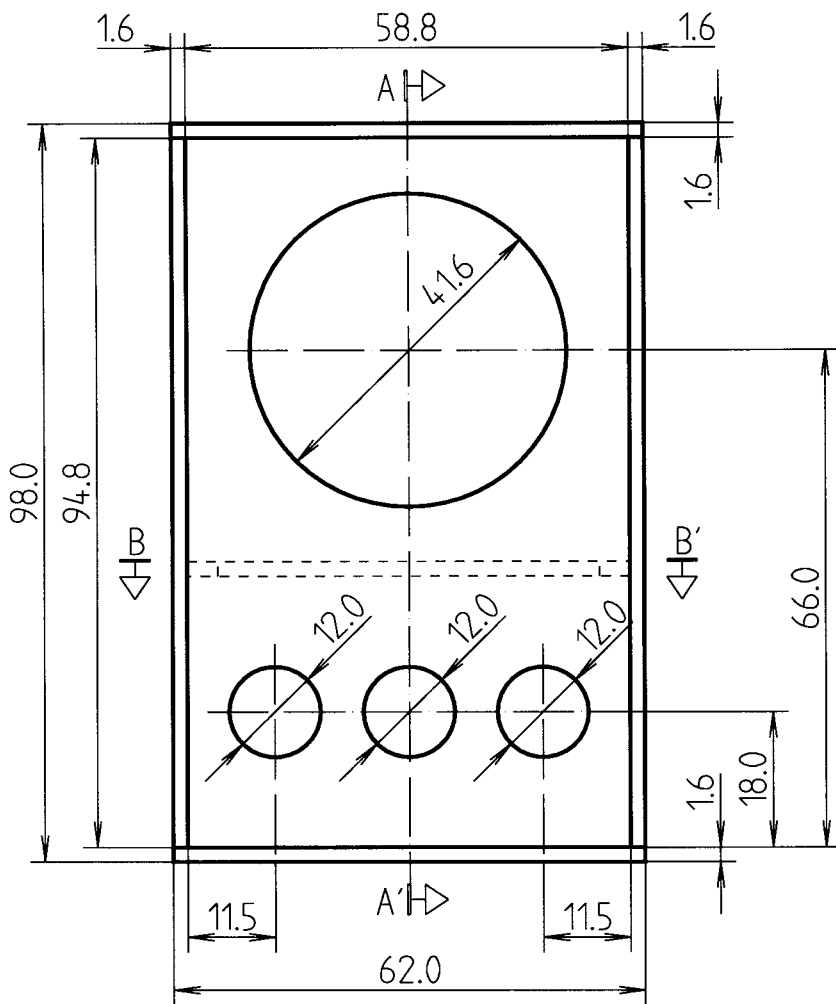
B-03/9

B-05/9

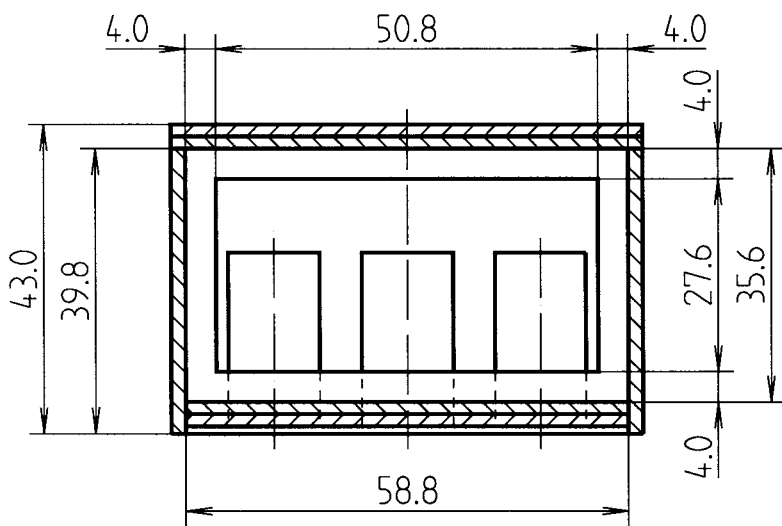


MODEL	ENCLOSURE DESIGN	FREQUENCY RESPONSE	EFFICIENCY	POWER CAPACITY	IMPEDANCE
B-01/9	HORN LOADED CABINET	50 Hz - 250 Hz	106 dB 1w @ 1m	1500 w RMS	4 ohms.
COMPONENTS	2 bass units 18"G-50 8 ohms.				





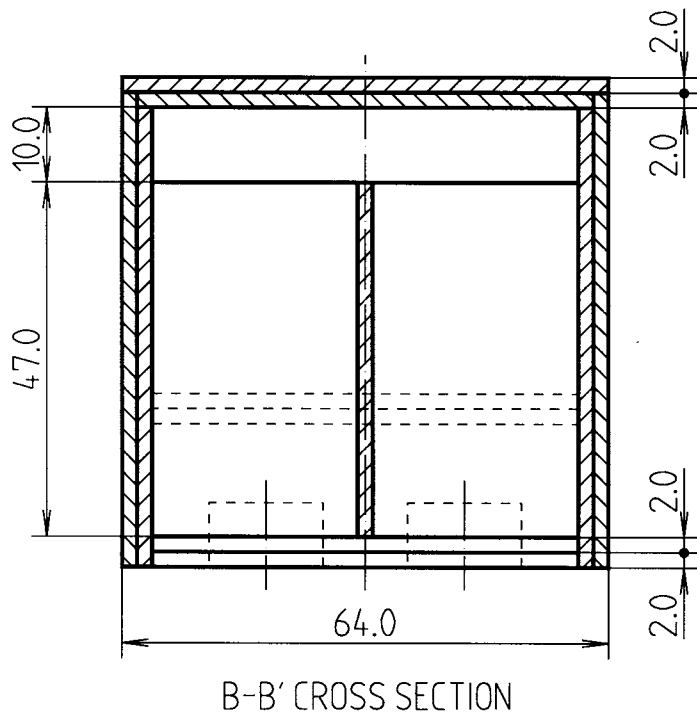
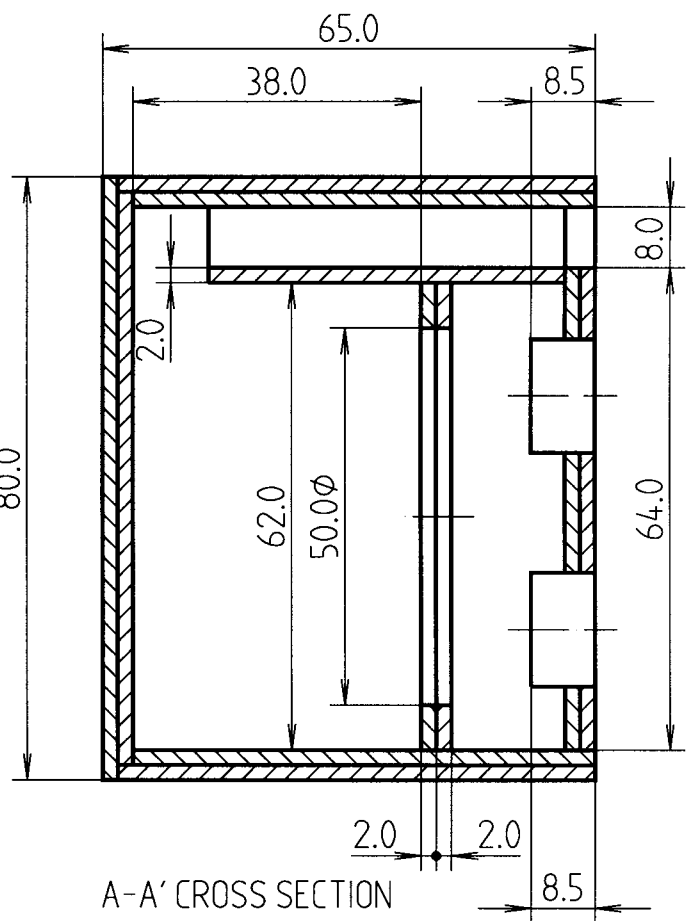
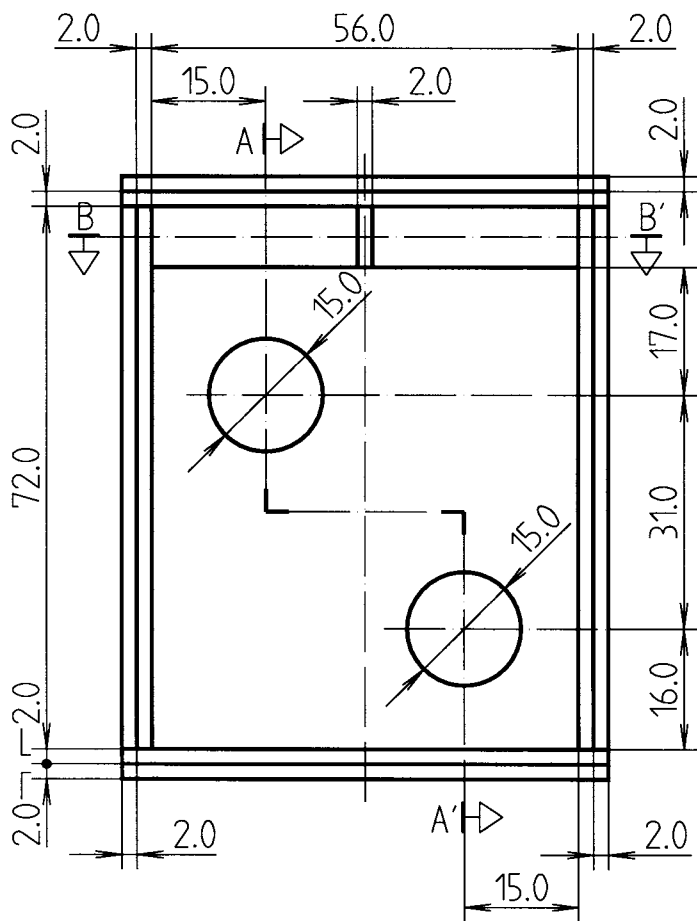
A-A' CROSS SECTION



B-B' CROSS SECTION

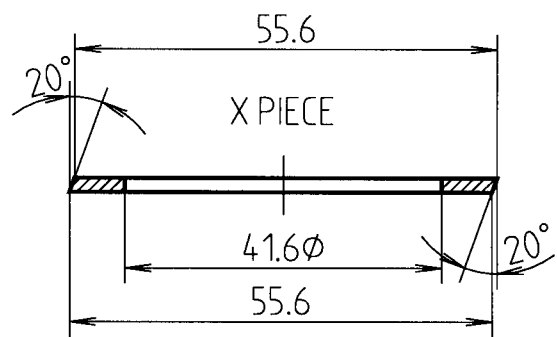
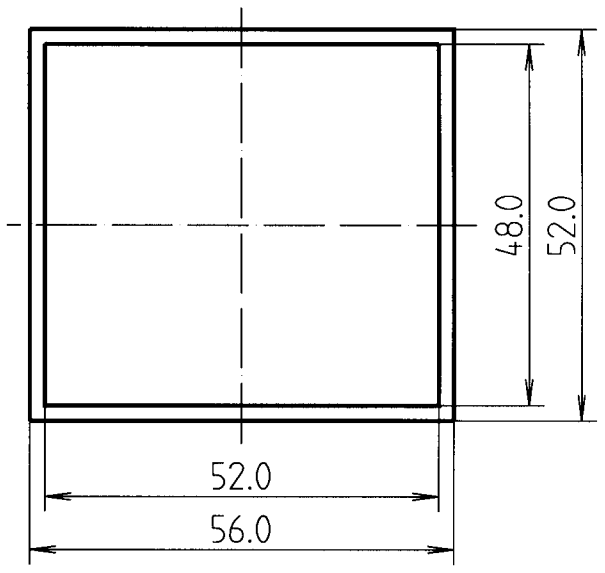
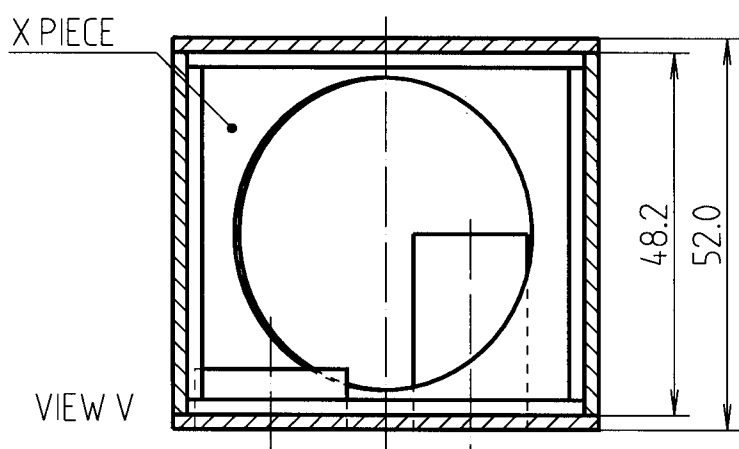
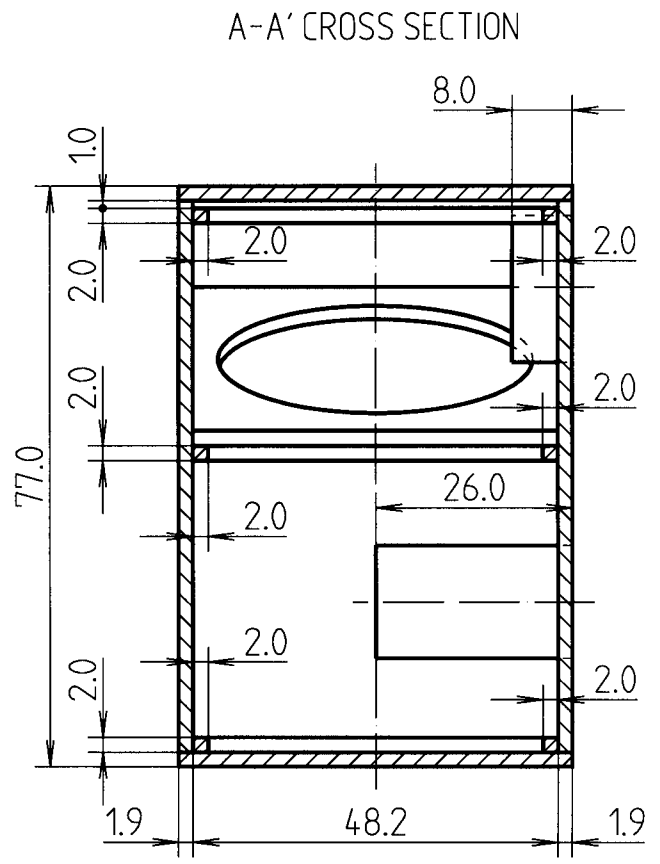
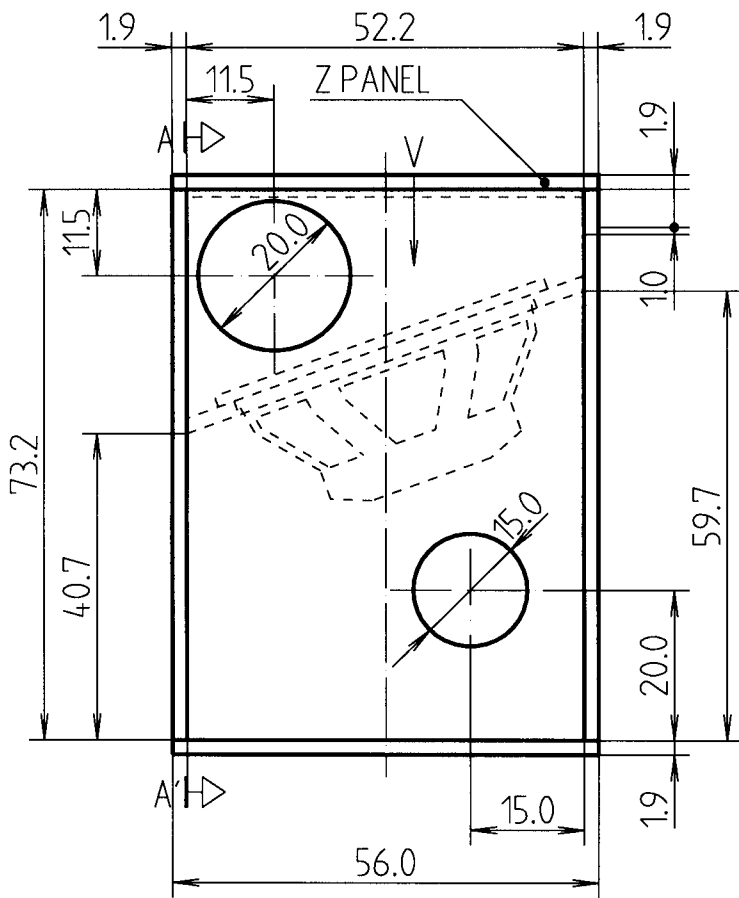


MODEL	ENCLOSURE DESIGN	FREQUENCY RESPONSE	EFFICIENCY	POWER CAPACITY	IMPEDANCE
B-02/9	BASS-REFLEX	35 Hz - 1,5 kHz	98 dB 1w @ 1m	750 w RMS	8 ohms.
COMPONENTS	1 bass unit 18''G-550 or 18''G-50 8 ohms.				

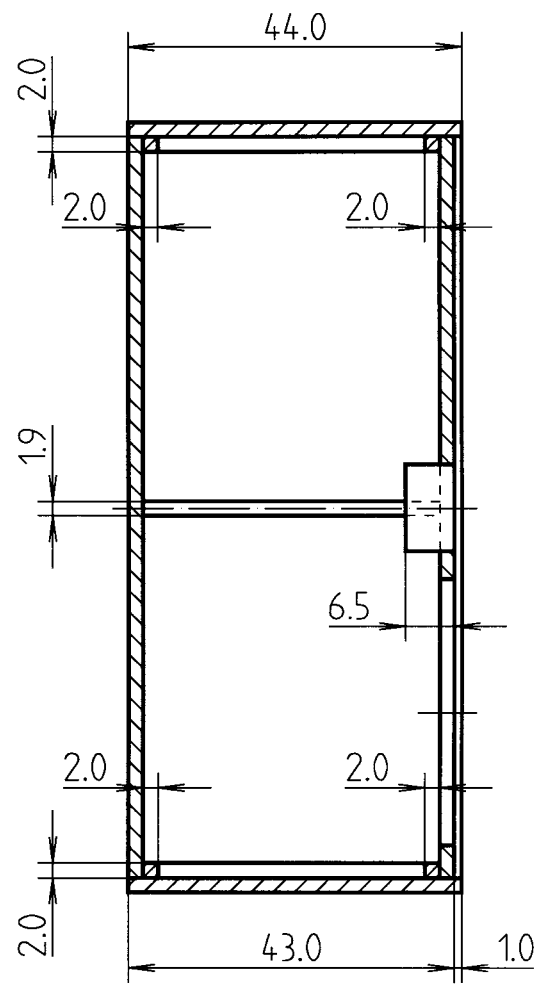
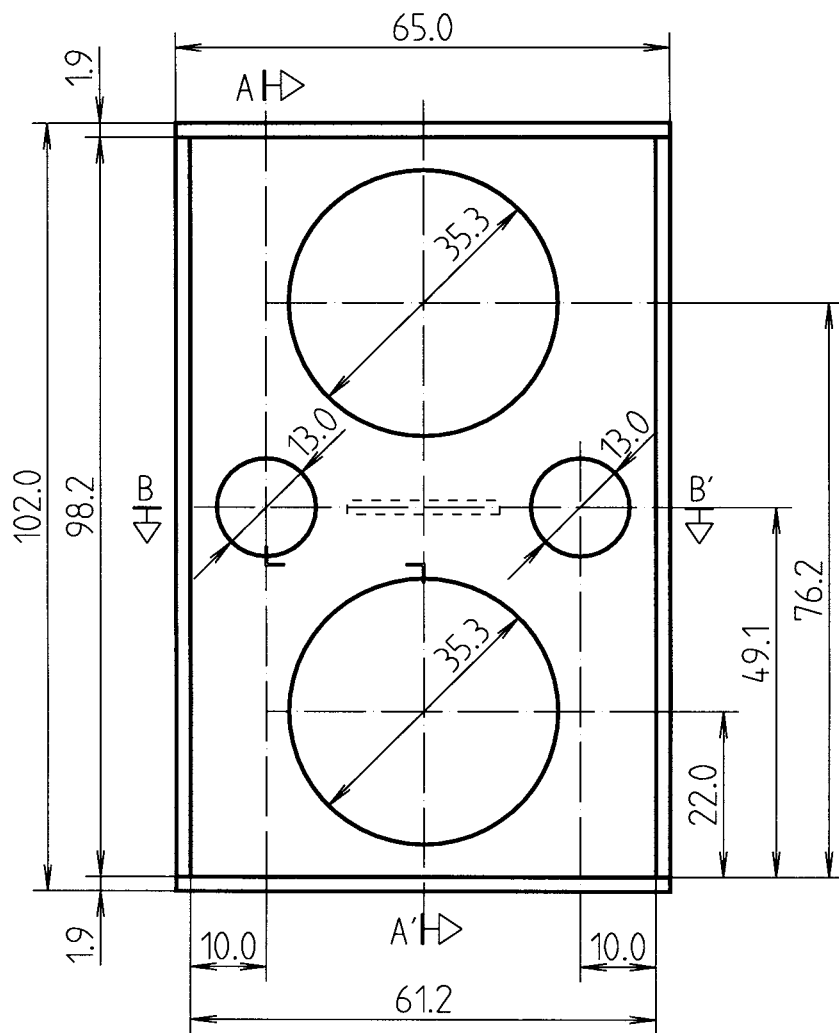


(beyma)
loudspeakers

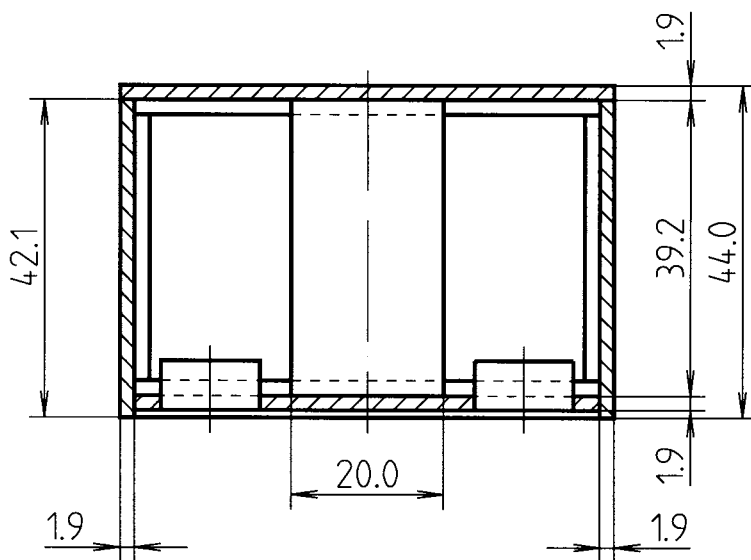
MODEL	ENCLOSURE DESIGN	FREQUENCY RESPONSE	EFFICIENCY	POWER CAPACITY	IMPEDANCE
B-03/9	BAND-PASS	45 Hz - 150 Hz	100 dB 1w @ 1m	800 w RMS	8 ohms.
COMPONENTS	1 bass unit 21''L-45 8 ohms.				



MODEL	ENCLOSURE DESIGN	FREQUENCY RESPONSE	EFFICIENCY	POWER CAPACITY	IMPEDANCE
B-04/9	BAND-PASS	40 Hz - 120 Hz	100 dB 1w @ 1m	750 w RMS	8 ohms.
COMPONENTS	1 bass unit 18''G-550 or 18''G-50 8 ohms.				



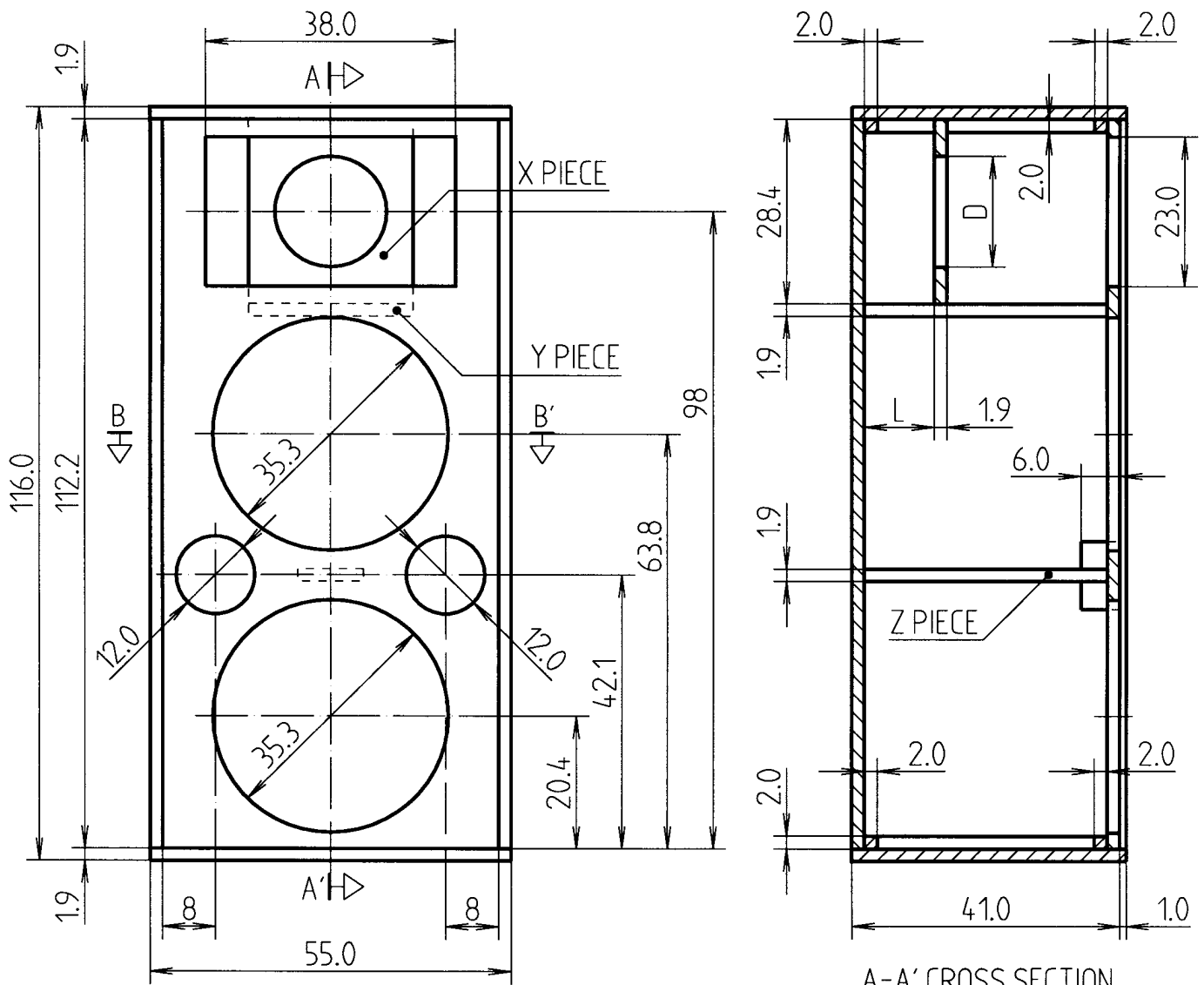
A-A' CROSS SECTION



B-B' CROSS SECTION

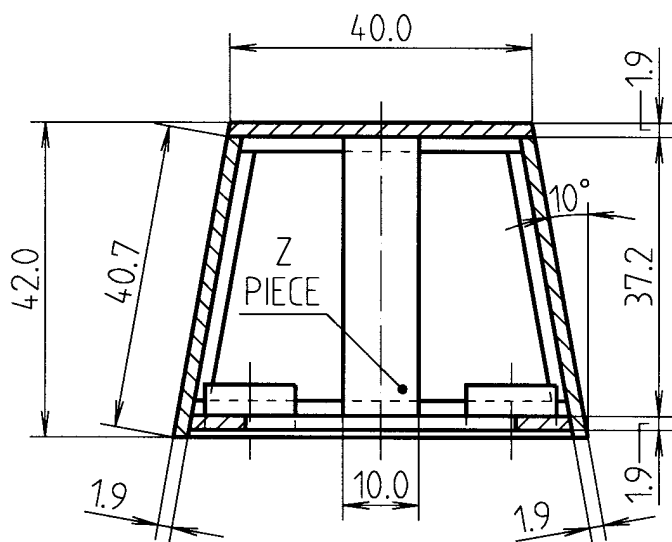


MODEL	ENCLOSURE DESIGN	FREQUENCY RESPONSE	EFFICIENCY	POWER CAPACITY	IMPEDANCE
B-05/9	BASS-REFLEX	40 Hz - 2 kHz	101 dB 1w @ 1m	1200 w RMS	4 ohms.
COMPONENTS	2 bass units 15''G-450/N or 15''G-400 8 ohms.				

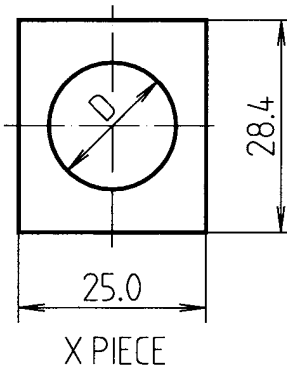


A-A' CROSS SECTION

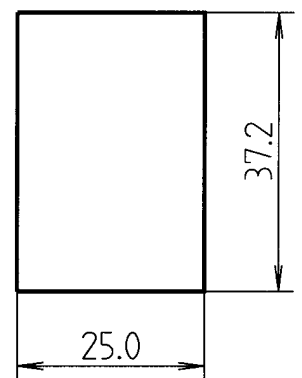
Y PIECE



B-B' CROSS SECTION



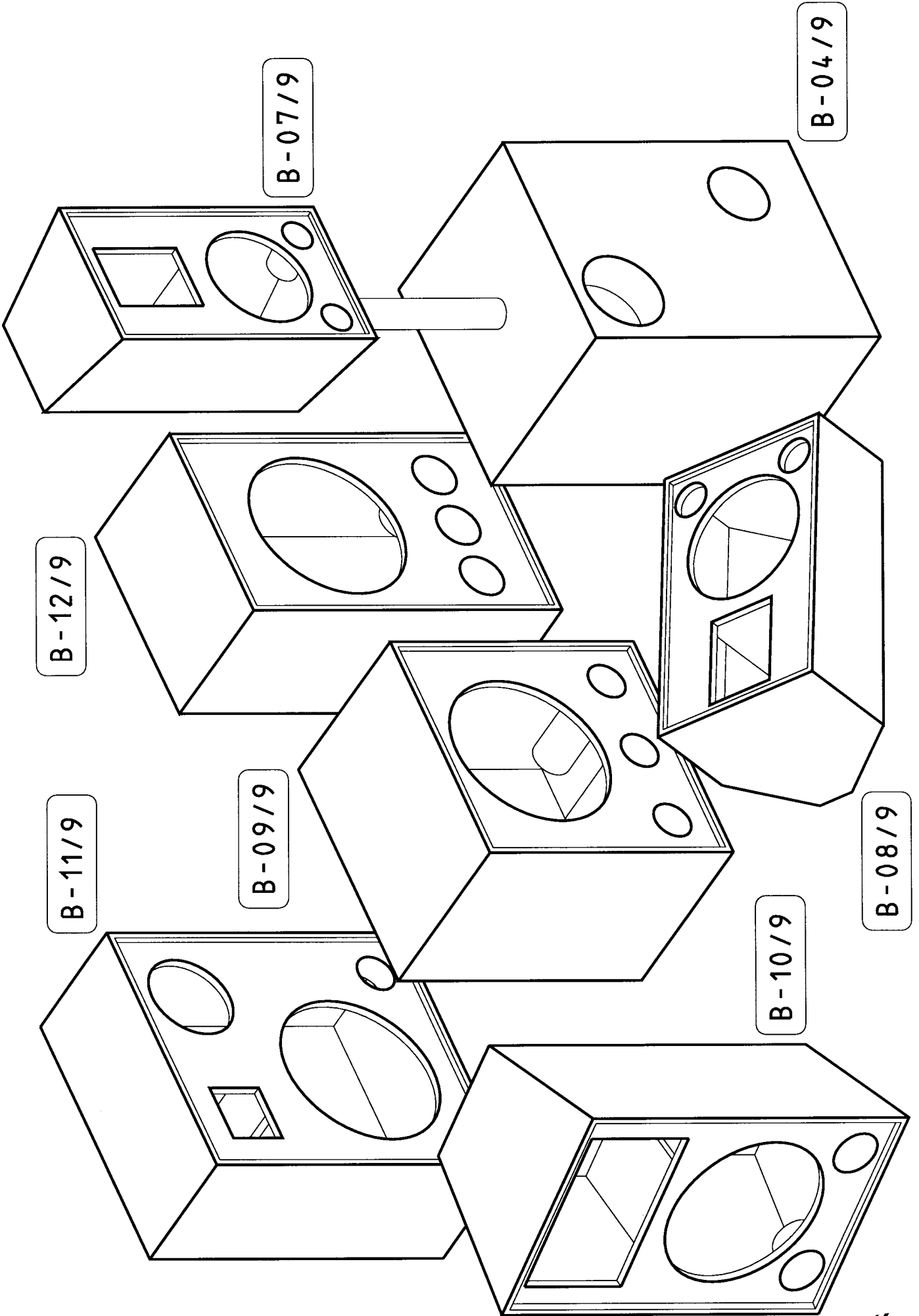
X PIECE

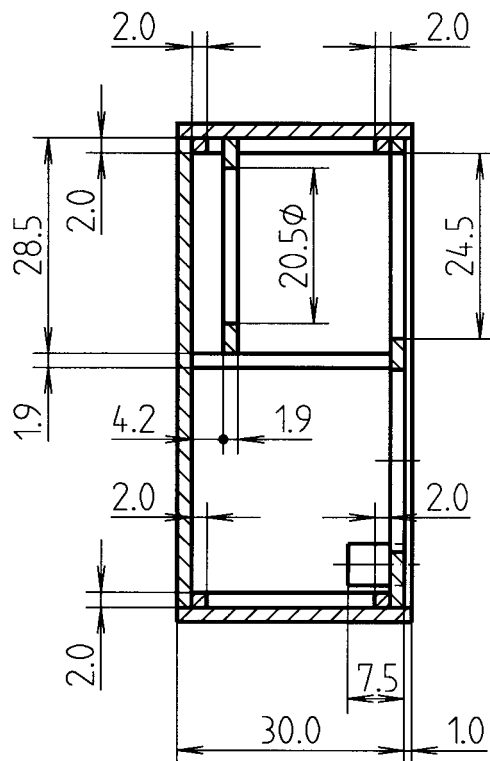
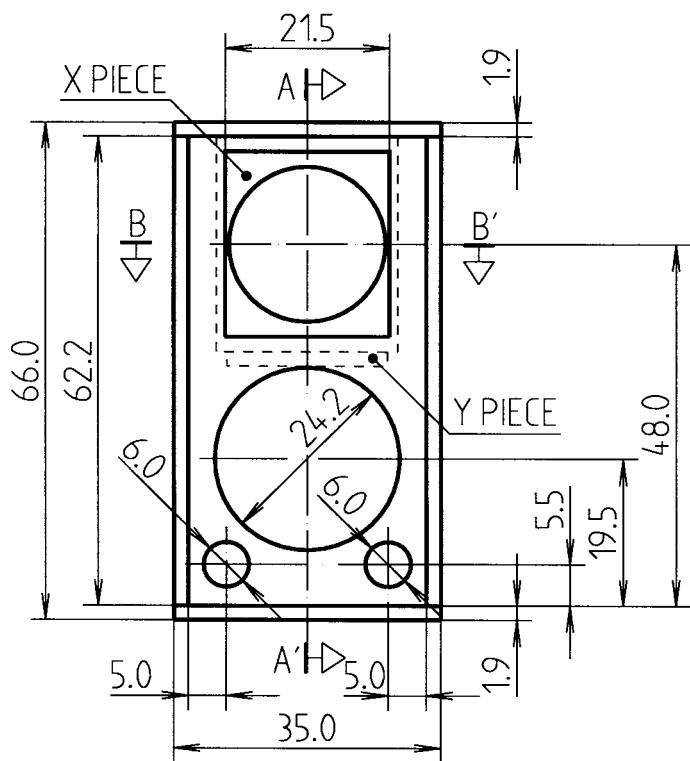


MODEL	D	L
CP-850/Nd	17.0 cm.	10.8 cm.
CP-800/Ti	23.3 cm.	10.8 cm.
CP-650/Ti	20.5 cm.	14.4 cm.

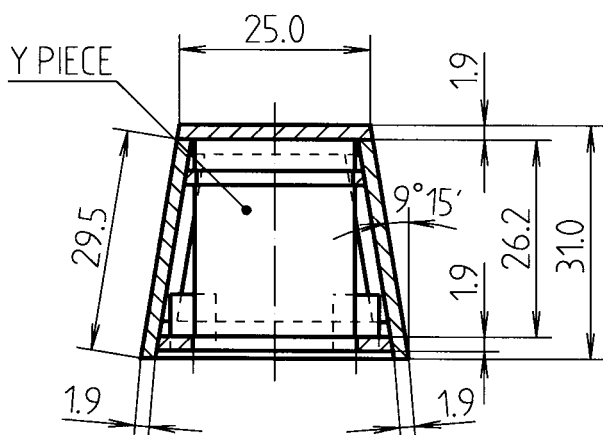


MODEL	ENCLOSURE DESIGN	FREQUENCY RESPONSE	EFFICIENCY	POWER CAPACITY	IMPEDANCE
B-06/9	2 WAY BASS-REFLEX	45 Hz - 18 kHz	101 dB 1w @ 1m	700 w RMS	4 ohms.
COMPONENTS	2 bass units 15"G-450/N or 15"G-400 8 ohms.				
	1 compression driver CP-850/Nd or CP-800/Ti or CP-650/Ti 8 ohms.				
	1 high frequency horn TD-460/N or TD-400/N.				
	1 passive crossover FD-212.				

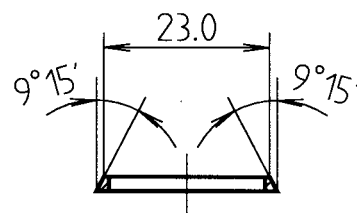
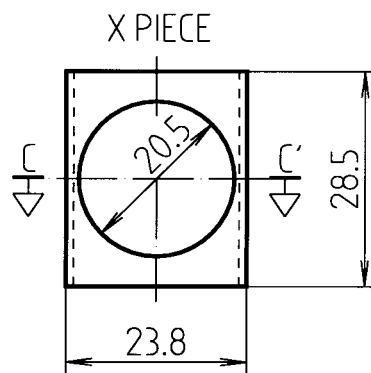
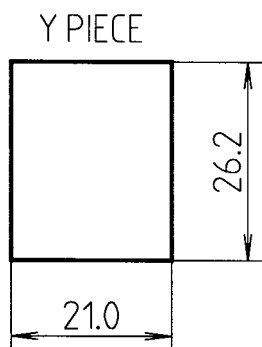




A-A' CROSS SECTION



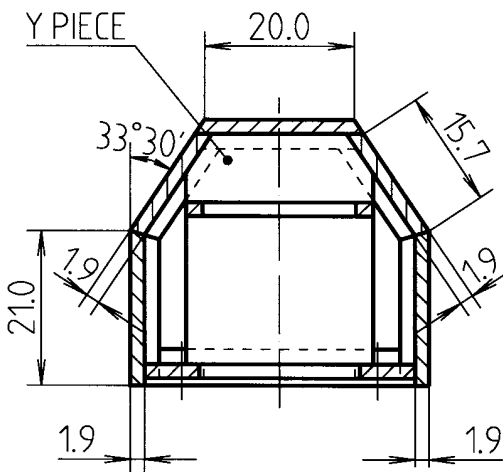
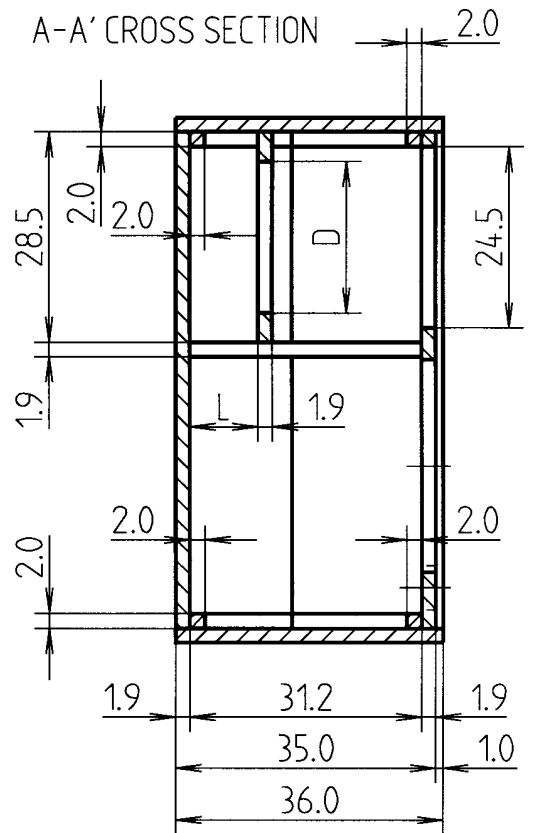
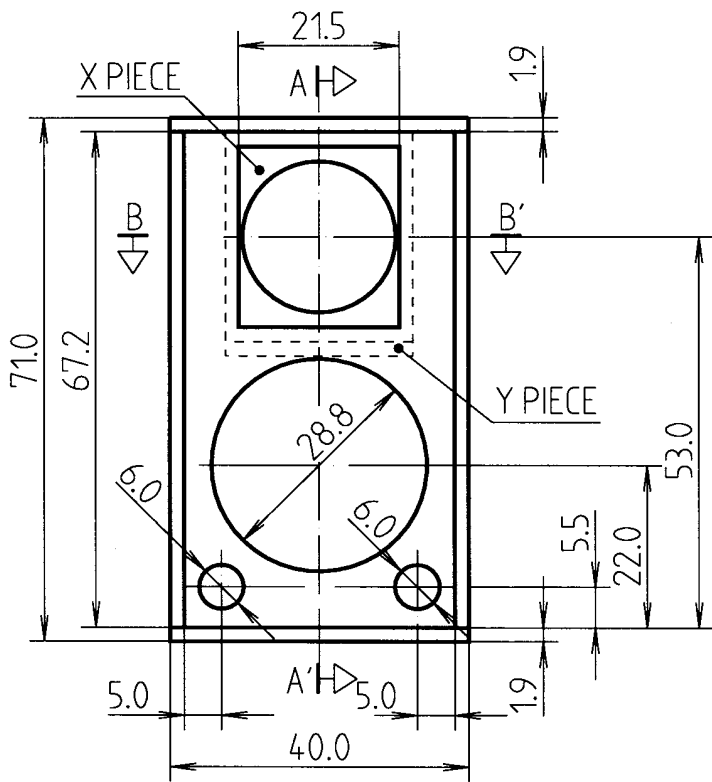
B-B' CROSS SECTION



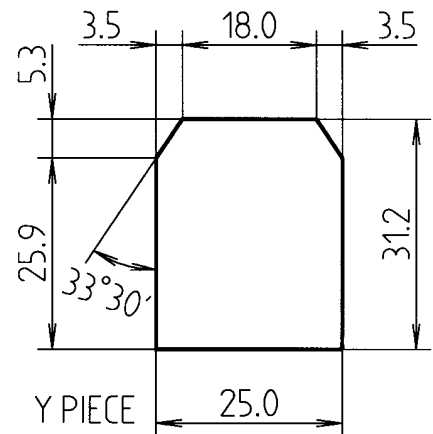
C-C' CROSS SECTION



MODEL	ENCLOSURE DESIGN	FREQUENCY RESPONSE	EFFICIENCY	POWER CAPACITY	IMPEDANCE
B-07/9	2 WAY BASS-REFLEX	65 Hz - 18 kHz	100 dB 1w @ 1m	350 w RMS	8 ohms.
COMPONENTS	1 mid and bass unit 10''M-250 8 ohms.				
	1 compression driver CP-650/Ti 8 ohms.				
	1 high frequency horn TD-590.				
	1 passive crossover FD-250.				

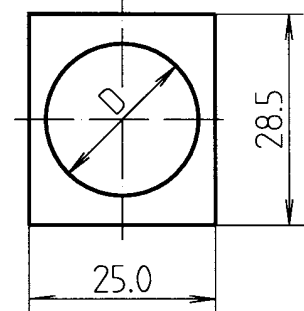


B-B' CROSS SECTION



Y PIECE

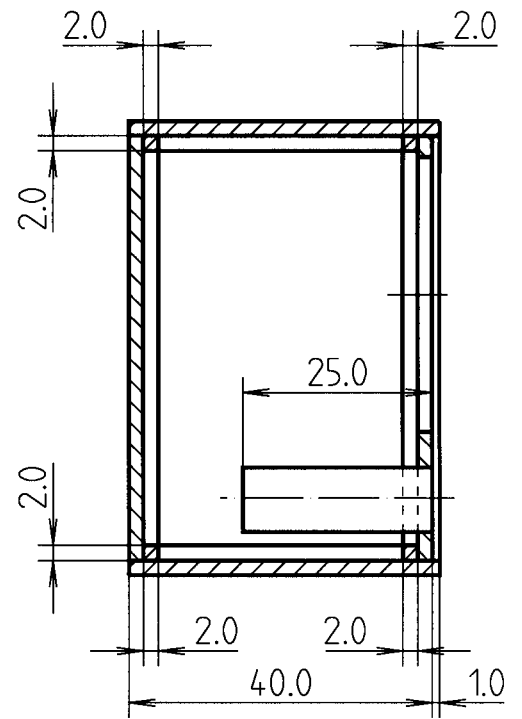
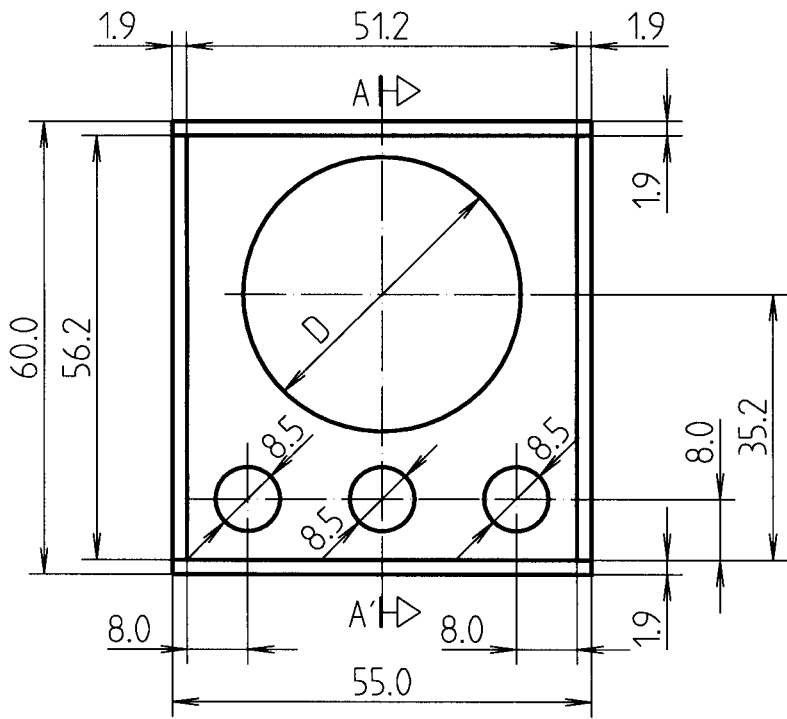
X PIECE



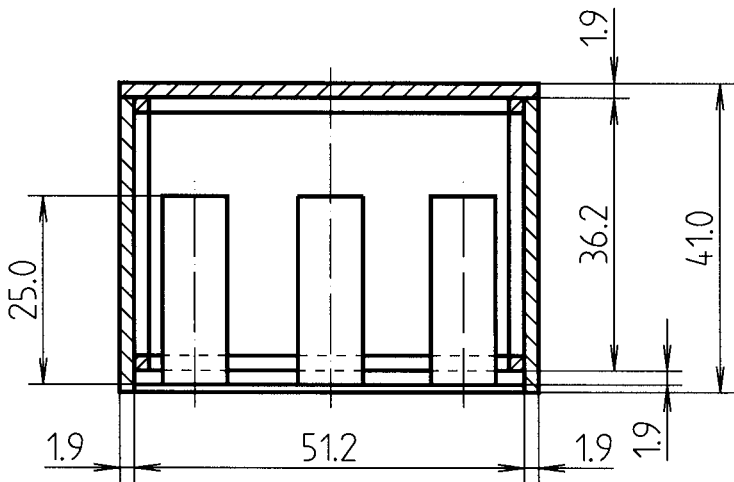
MODEL	D	L
CP-800/Ti	23.3 cm.	5.4 cm.
CP-650/Ti	20.5 cm.	8.9 cm.



MODEL	ENCLOSURE DESIGN	FREQUENCY RESPONSE	EFFICIENCY	POWER CAPACITY	IMPEDANCE
B-08/9	2 WAY BASS-REFLEX	65 Hz - 18 kHz	100 dB 1w @ 1m	350 w RMS	8 ohms.
COMPONENTS	1 mid and bass unit 12''M-300 8 ohms.				
	1 compression driver CP-800/Ti or CP-650/Ti 8 ohms.				
	1 high frequency horn TD-590.				
	1 passive crossover FD-250.				



A-A' CROSS SECTION

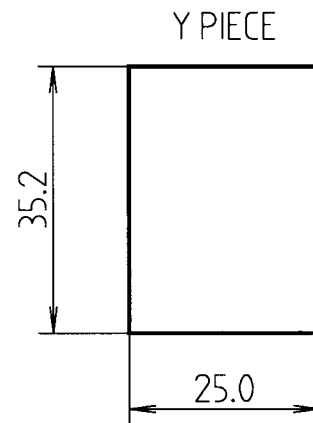
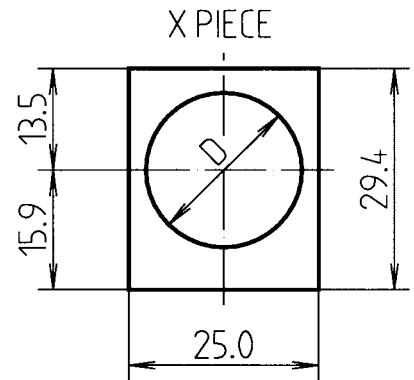
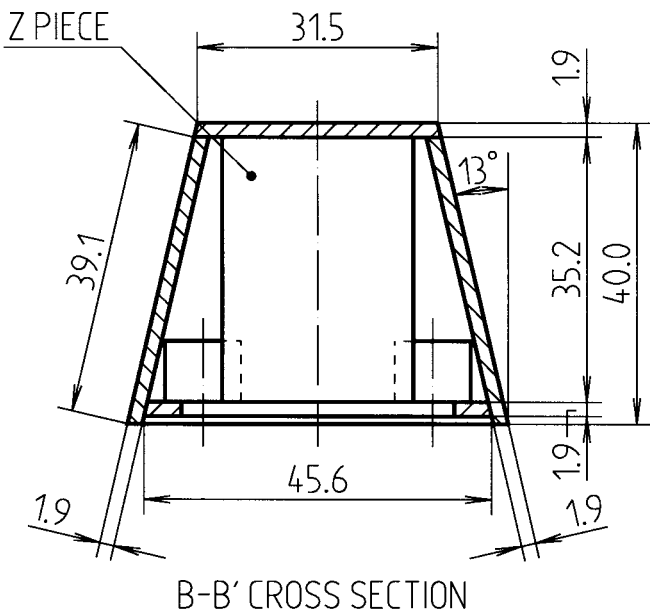
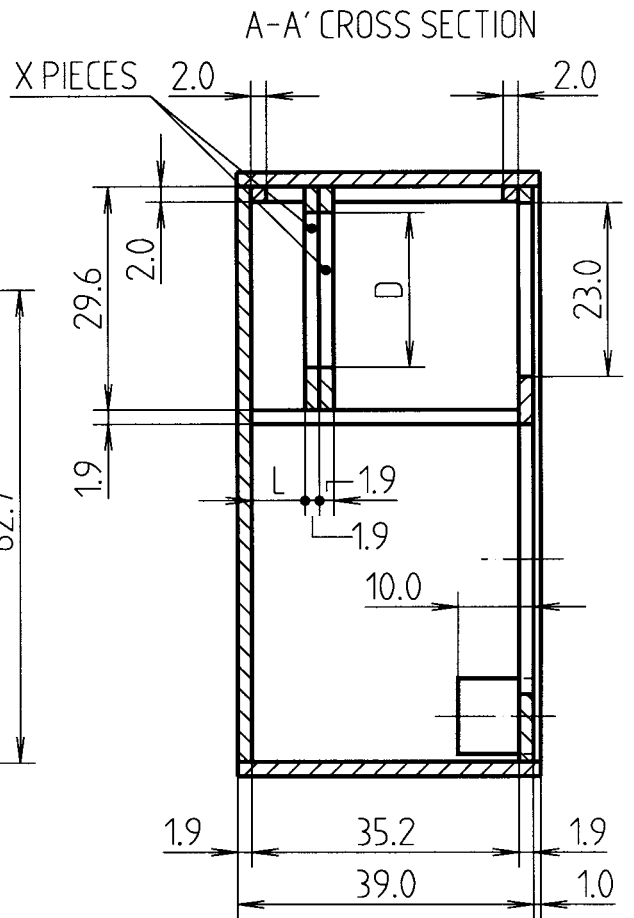
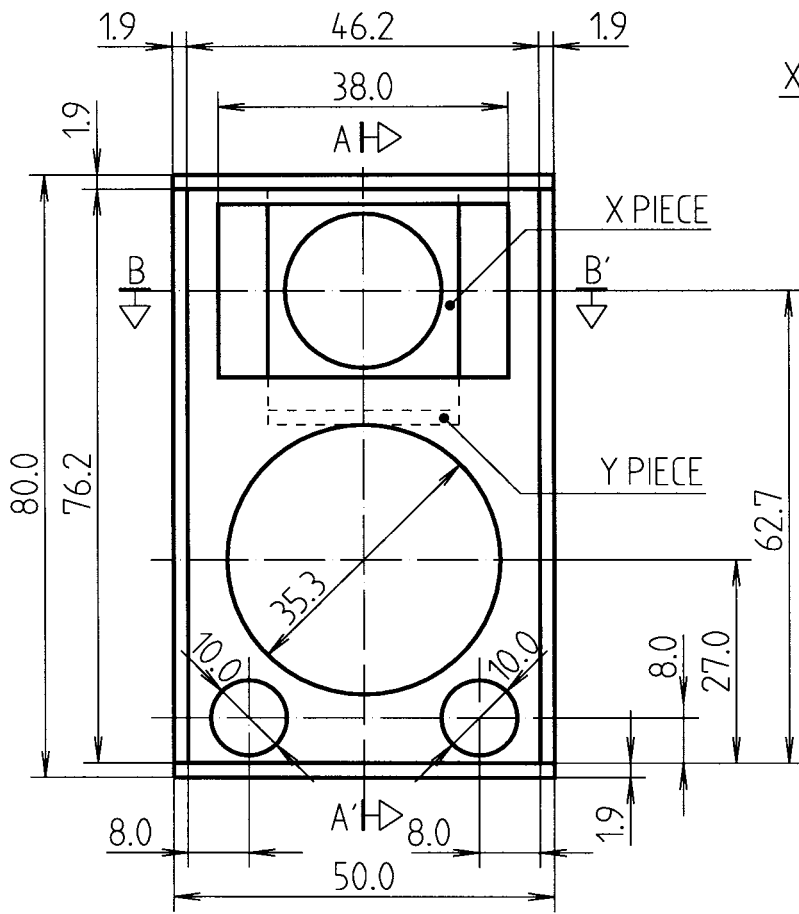


B-B' CROSS SECTION

MODEL	D
15" G - 400	35.3 cm.
15" K - 200	36.4 cm.



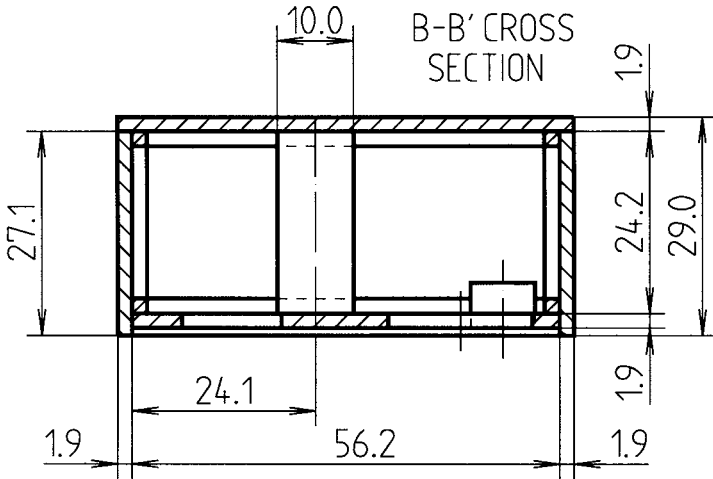
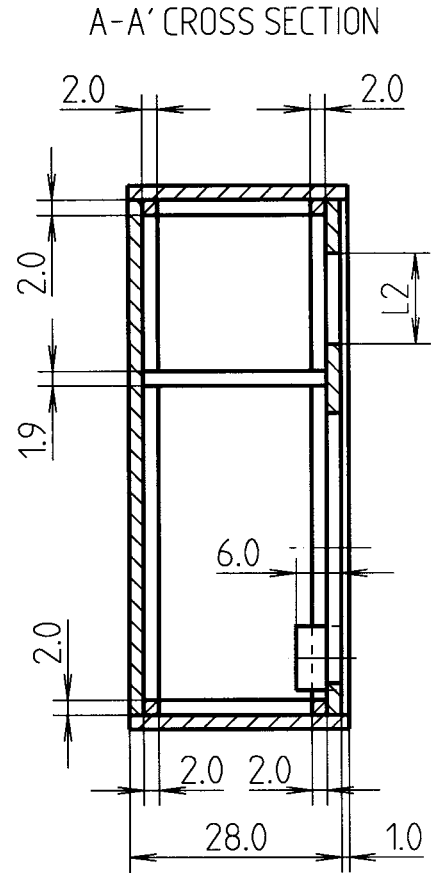
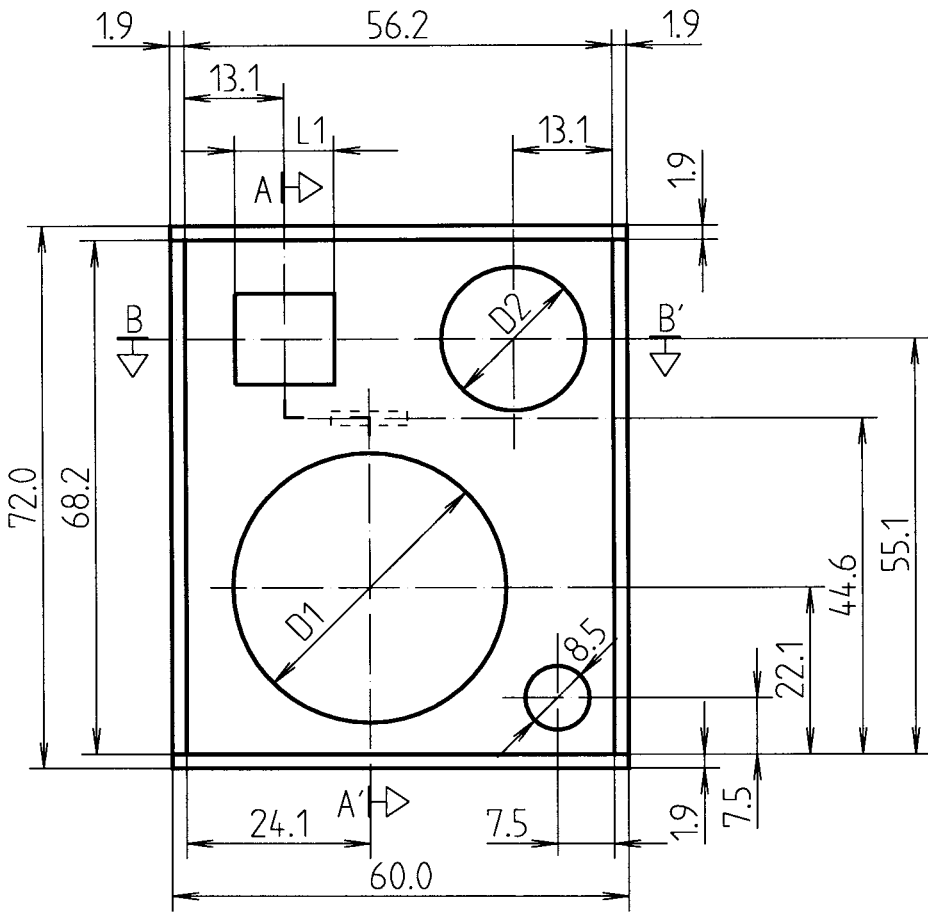
MODEL	ENCLOSURE DESIGN	FREQUENCY RESPONSE	EFFICIENCY	POWER CAPACITY	IMPEDANCE
B-09/9	BASS-REFLEX	45 Hz - 1,5 kHz	98 dB 1w @ 1m	400 w RMS	8 ohms.
COMPONENTS	1 bass unit 15" G-400 or 15" K-200 8 ohms.				



MODEL	D	L
CP-800/Ti	23.3 cm.	9.8 cm.
CP-650/Ti	20.5 cm.	13.4 cm.

(beyma)
Loudspeakers

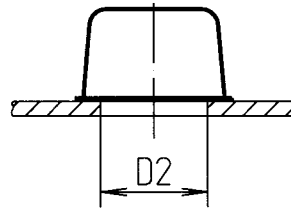
MODEL	ENCLOSURE DESIGN	FREQUENCY RESPONSE	EFFICIENCY	POWER CAPACITY	IMPEDANCE
B-10/9	2 WAY BASS-REFLEX	45 Hz - 18 kHz	100 dB 1w @ 1m	500 w RMS	8 ohms.
COMPONENTS	1 bass unit 15''G-450/N or 15''G-400 8 ohms.				
	1 compression driver CP-800/Ti or CP-650/Ti 8 ohms.				
	1 high frequency horn TD-460/N or TD-400/N.				
	1 passive crossover FD-250.				



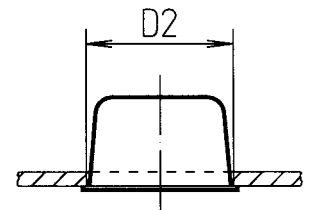
MODEL	D1
15" G - 400	35.3 cm.
15" K - 200	36.4 cm.

MODEL	L1	L2
CP-25	13.0 cm.	12.0 cm.
CP-09	9.0 cm.	7.0 cm.

MODEL	D2
8" M-100	19.0 cm.
6" MI-80	14.2 cm.



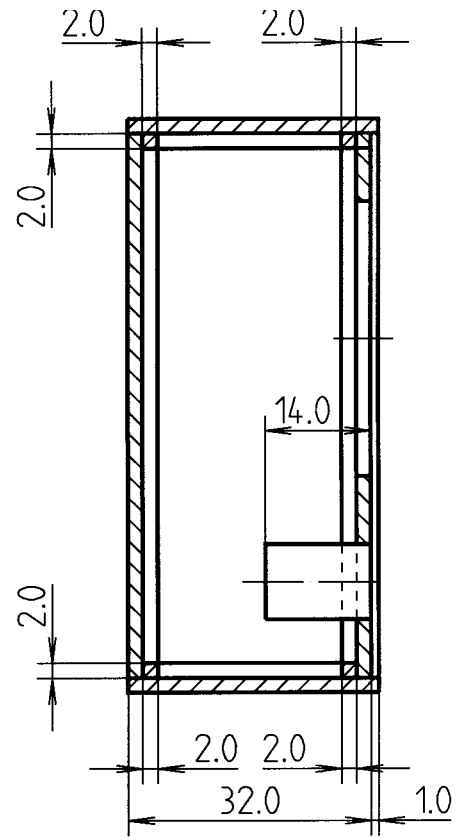
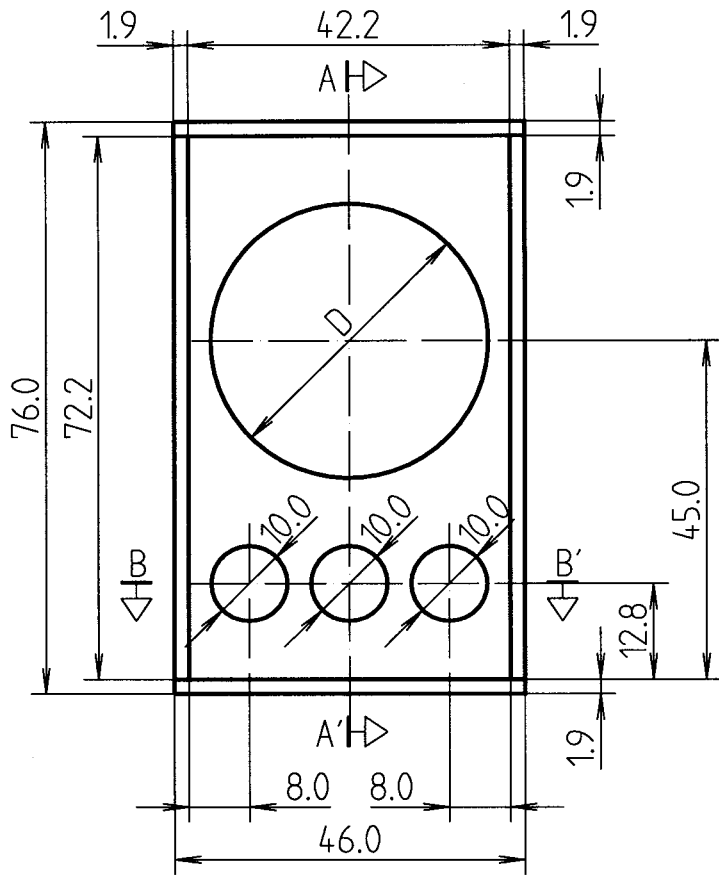
MOUNTING VM-100 WITH 6" MI-80



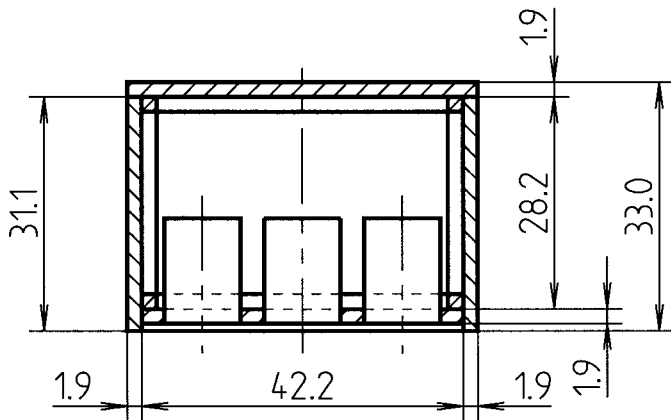
MOUNTING VM-100 WITH 8" M-100



MODEL	ENCLOSURE DESIGN	FREQUENCY RESPONSE	EFFICIENCY	POWER CAPACITY	IMPEDANCE
B-11/9	3 WAY BASS-REFLEX	45 Hz - 20 kHz	100 dB 1w @ 1m	400 w RMS	8 ohms.
COMPONENTS	1 bass unit 15" G-400 or 15" K-200 8 ohms.				
	1 mid-range unit 8" M-100 or 6" MI-80 8 ohms. with back cover VM-100.				
	1 constant directivity tweeter CP-25 or CP-09 8 ohms.				
	1 passive crossover F-300.				



A-A' CROSS SECTION

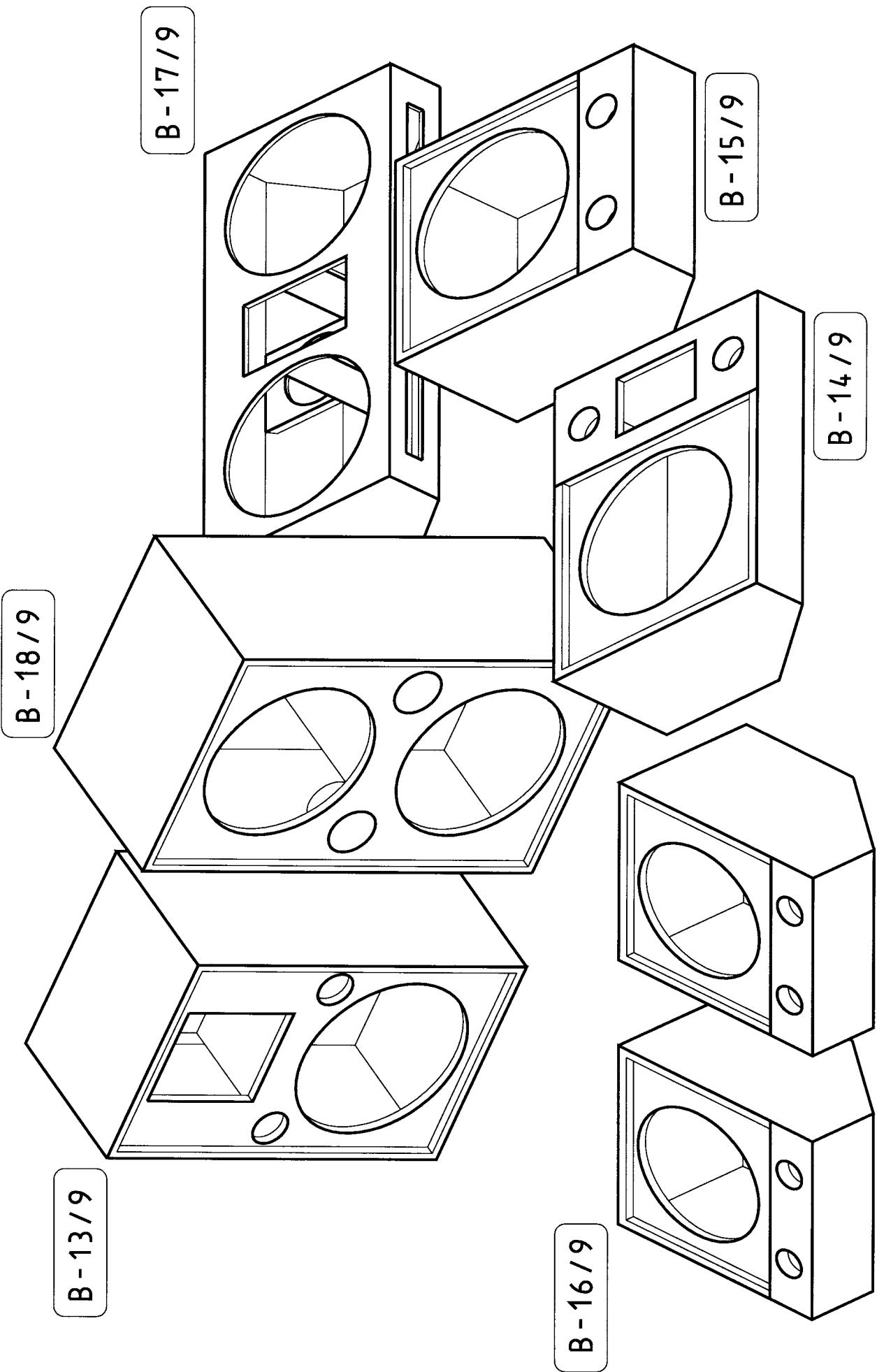


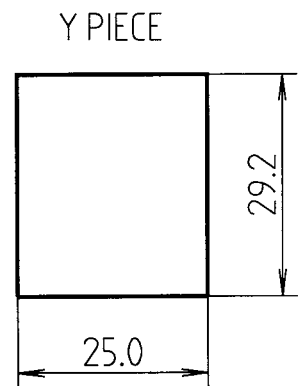
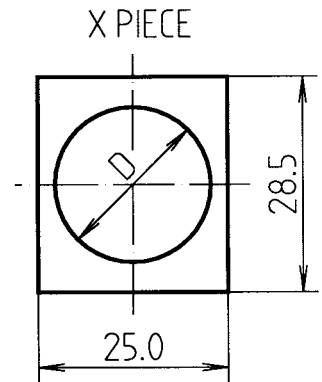
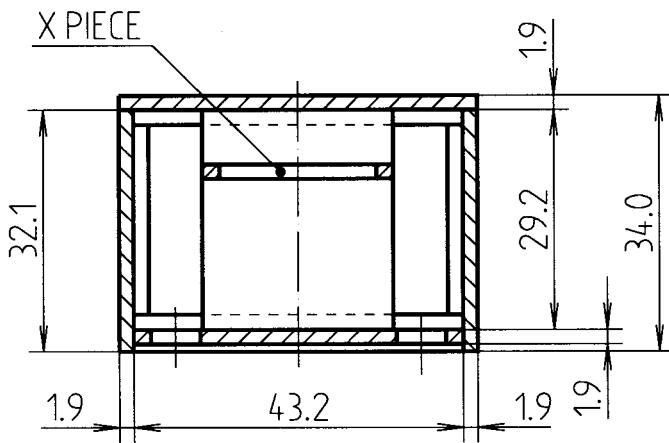
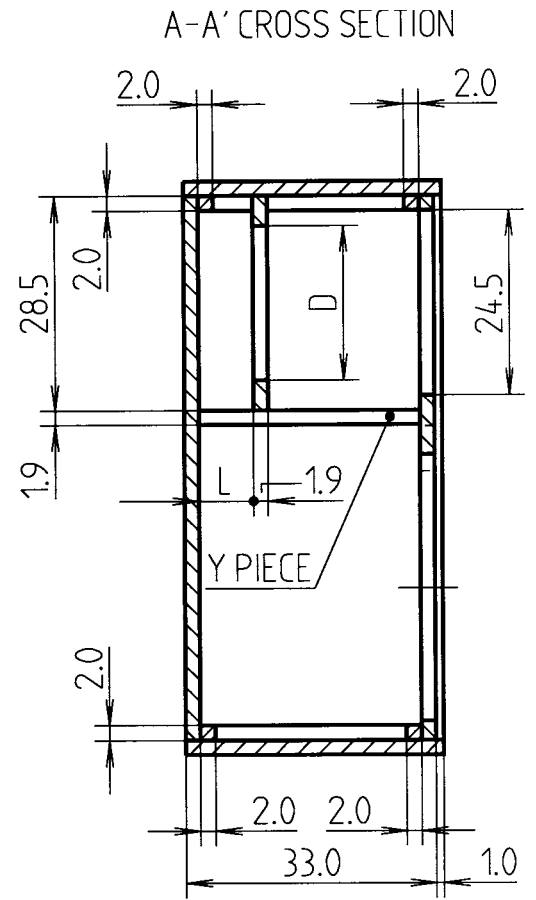
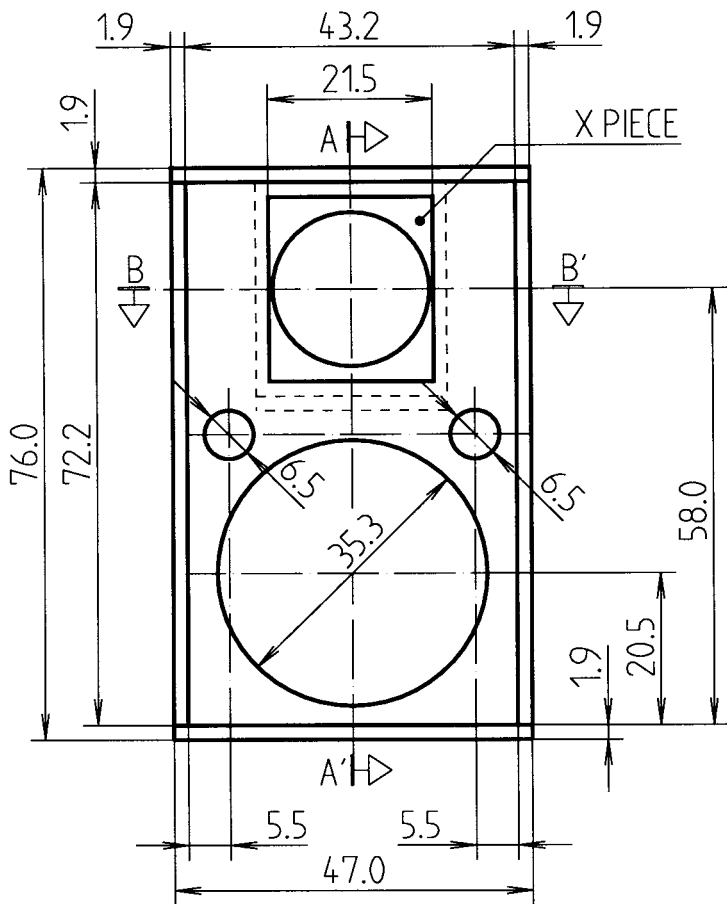
B-B' CROSS SECTION

MODEL	D
15"K-200	36.4 cm.
15"LX-60	35.3 cm.



MODEL	ENCLOSURE DESIGN	FREQUENCY RESPONSE	EFFICIENCY	POWER CAPACITY	IMPEDANCE
B-12/9	BASS-REFLEX	55 Hz - 2 kHz	100 dB 1w @ 1m	350 w RMS	8 Ohms.
COMPONENTS	1 bass unit 15"K-200 or 15"LX-60 8 ohms.				

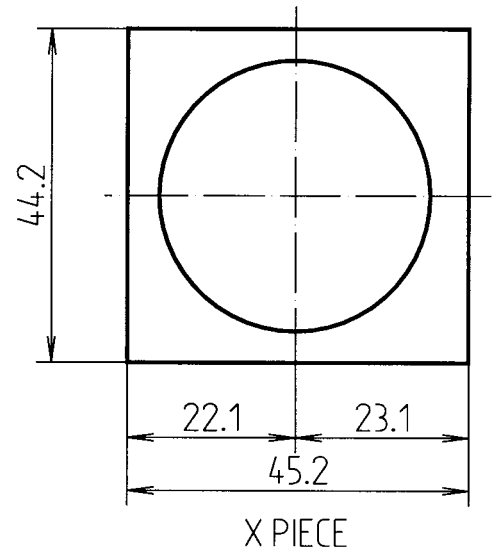
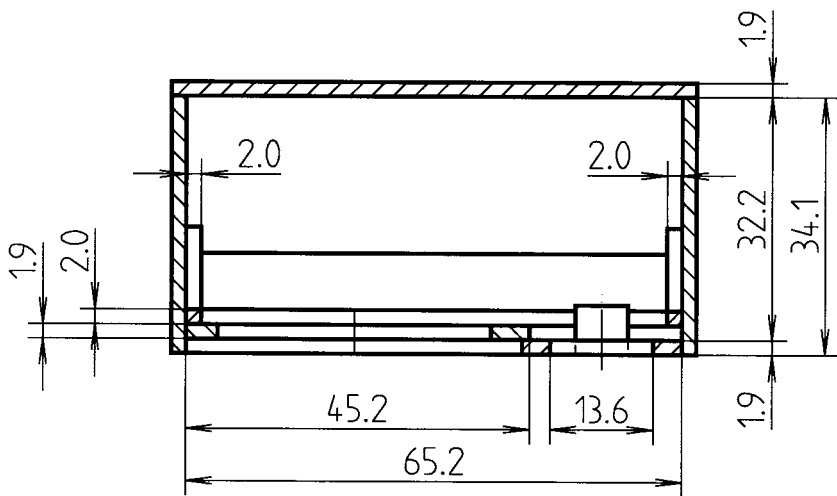
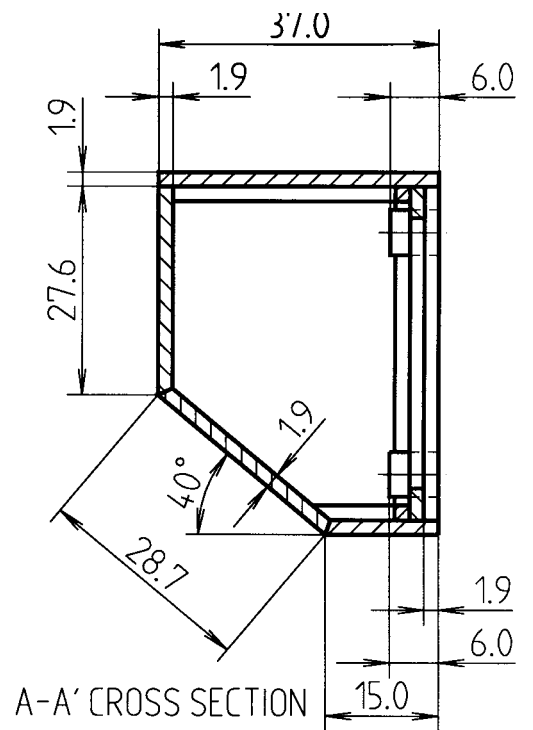
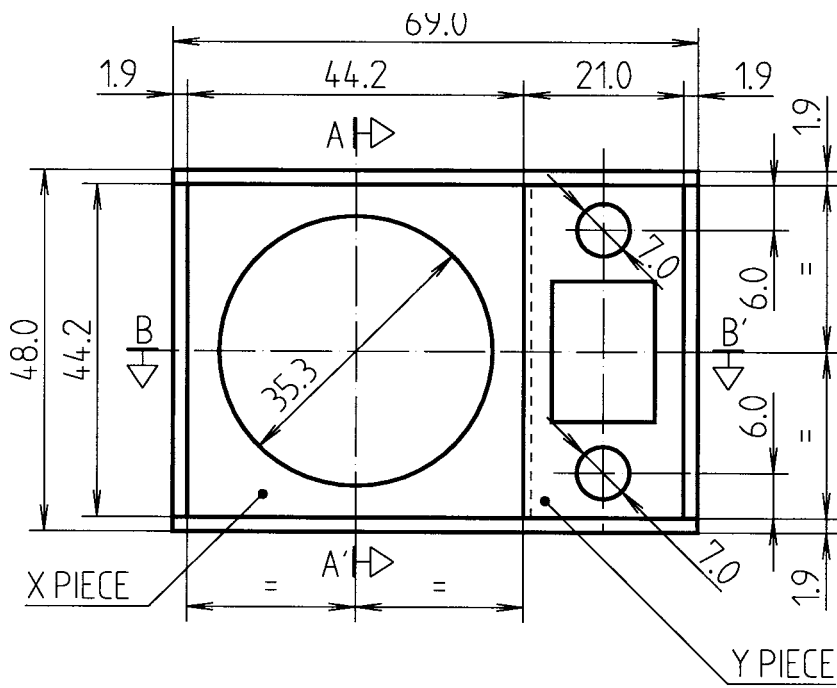




MODEL	D	L
CP-800/Ti	23.3 cm.	3.3 cm.
CP-650/Ti	20.5 cm.	6.9 cm.

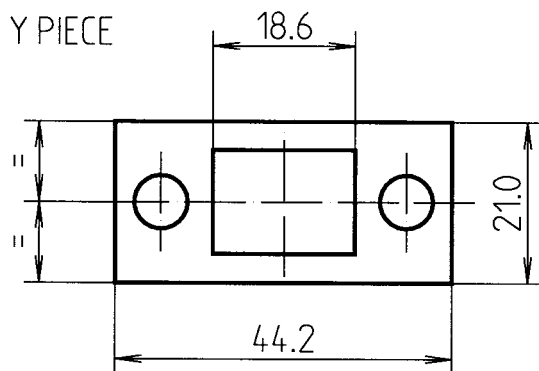


MODEL	ENCLOSURE DESIGN	FREQUENCY RESPONSE	EFFICIENCY	POWER CAPACITY	IMPEDANCE
B-13/9	2 WAY BASS-REFLEX	58 Hz - 18 kHz	101 dB 1w @ 1m	350 w RMS	8 ohms.
COMPONENTS	1 bass unit 15''M-300 8 ohms.				
	1 compression driver CP-800/Ti or CP-650/Ti 8 ohms.				
	1 high frequency horn TD-590.				
	1 passive crossover FD-250.				

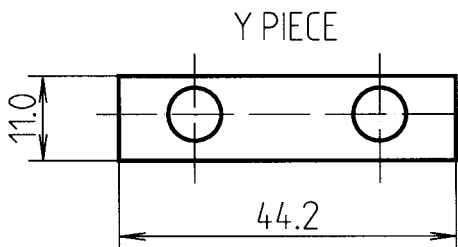
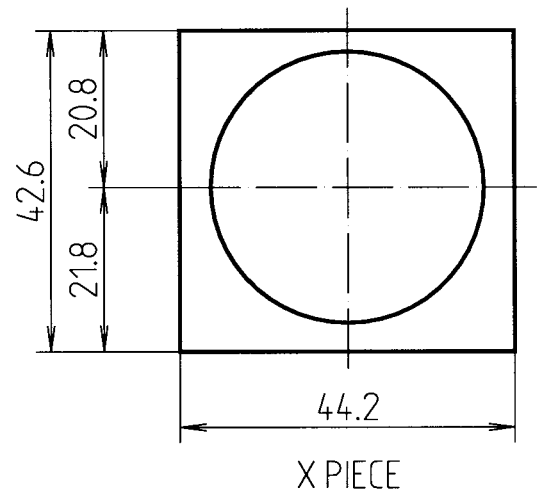
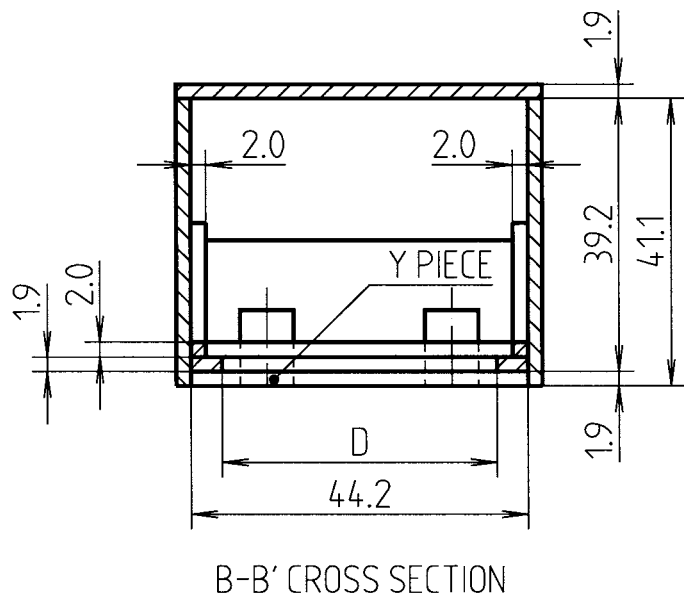
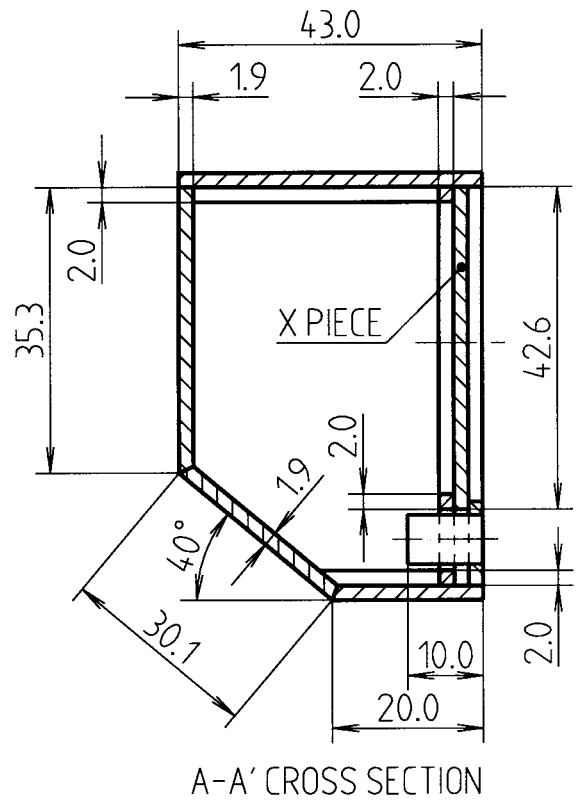
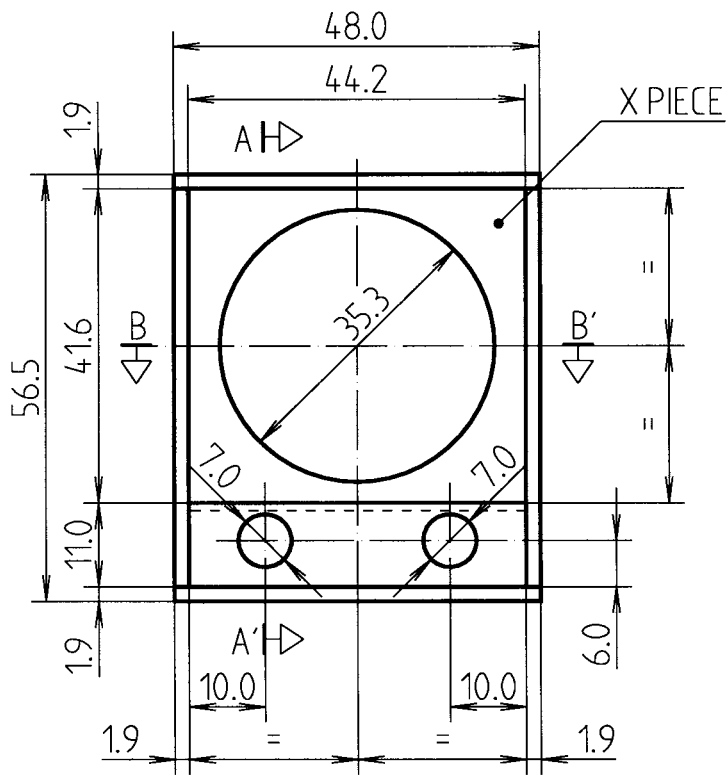


B-B' CROSS SECTION

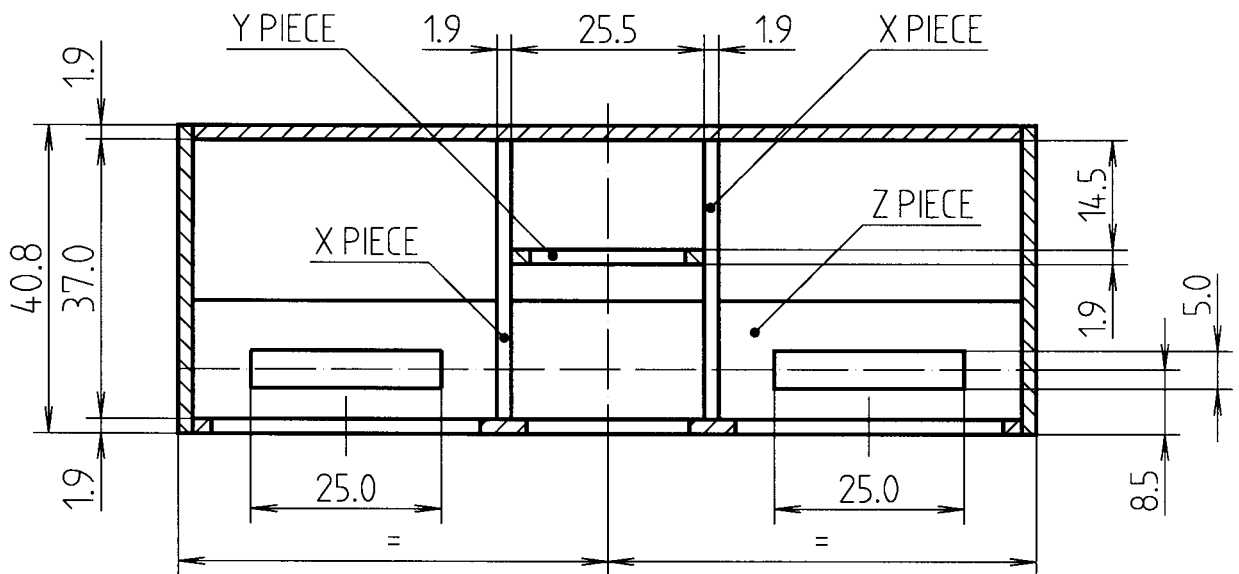
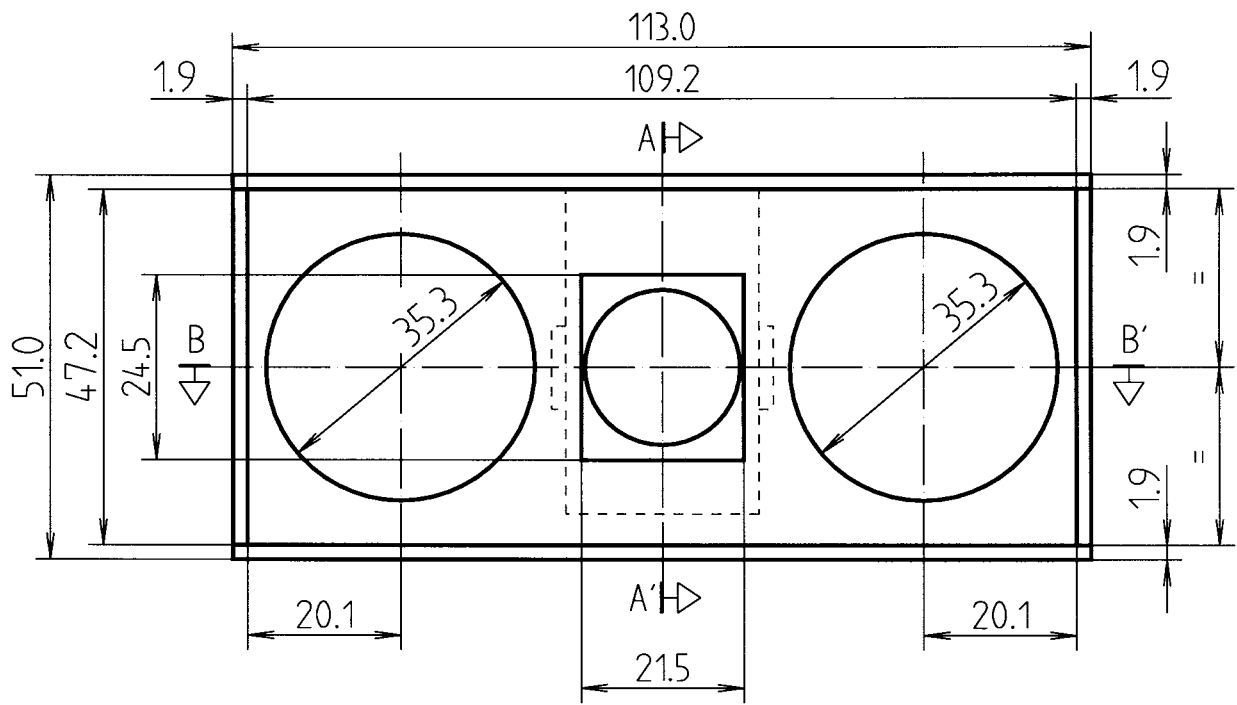
X PIECE



MODEL	ENCLOSURE DESIGN	FREQUENCY RESPONSE	EFFICIENCY	POWER CAPACITY	IMPEDANCE
B-14/9	2 WAY STAGE MONITOR	60 Hz - 18 kHz	101 dB 1w @ 1m	350 w RMS	8 ohms.
COMPONENTS	1 bass unit 15''M-300 or 15''G-350 8 ohms.				
	1 compression driver CP-380/M 8 ohms.				
	1 high frequency horn TD-235 or TD-245.				
	1 passive crossover FD-250.				



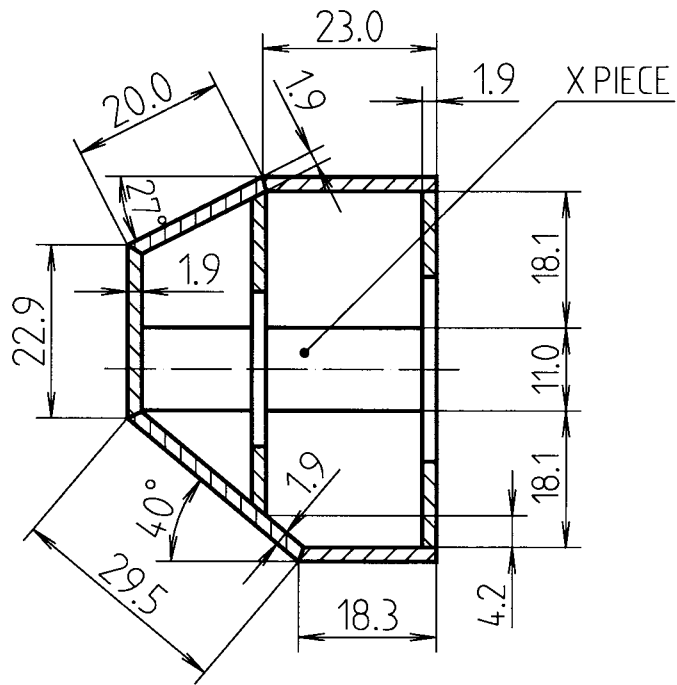
MODEL	ENCLOSURE DESIGN	FREQUENCY RESPONSE	EFFICIENCY	POWER CAPACITY	IMPEDANCE
B-15/9	2 WAY STAGE MONITOR	60 Hz - 17 kHz	99 dB 1w @ 1m	300 w RMS	8 ohms.
COMPONENTS	1 co-axial unit 15''XM or 15''KX 8 ohms. 1 passive crossover FD-250.				



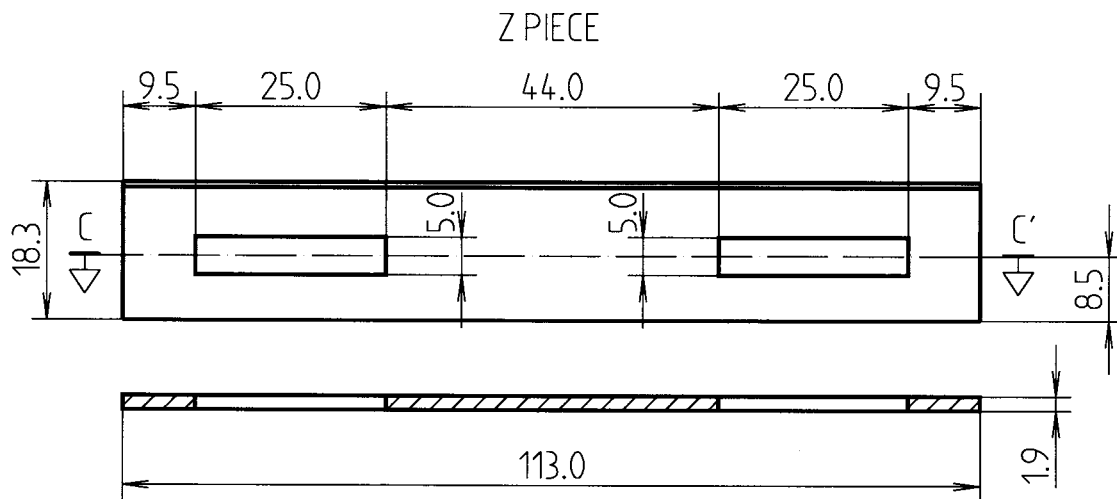
B - B' CROSS SECTION



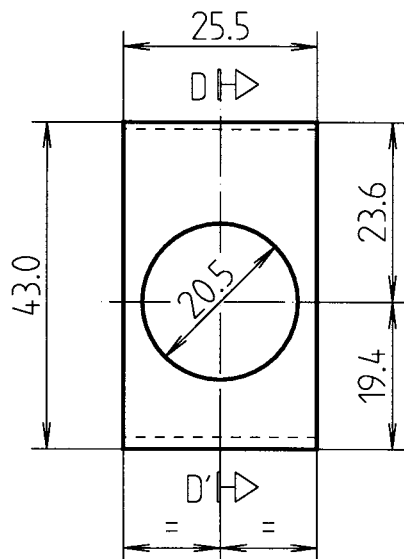
MODEL	ENCLOSURE DESIGN	FREQUENCY RESPONSE	EFFICIENCY	POWER CAPACITY	IMPEDANCE
B-16/9	2 WAY STAGE MONITOR	40 Hz - 18 kHz	103 dB 1w @ 1m	700 w RMS	4 ohms. L.F.
COMPONENTS	2 bass units 15"G-350 8 ohms.				8 ohms. H.F.
	1 compression driver CP-650/Ti 8 ohms.				
	1 high frequency horn TD-590.				
	1 passive crossover FD-212.				



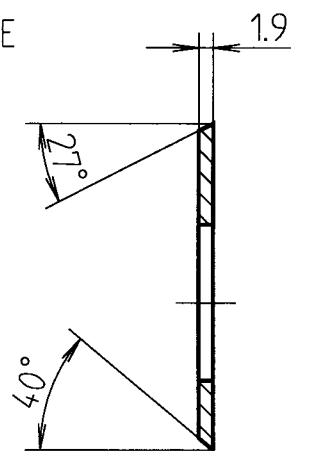
A - A' CROSS SECTION



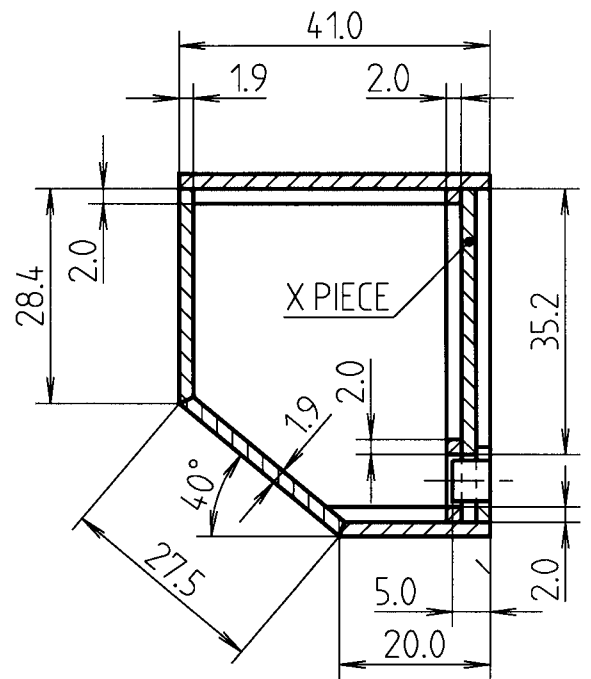
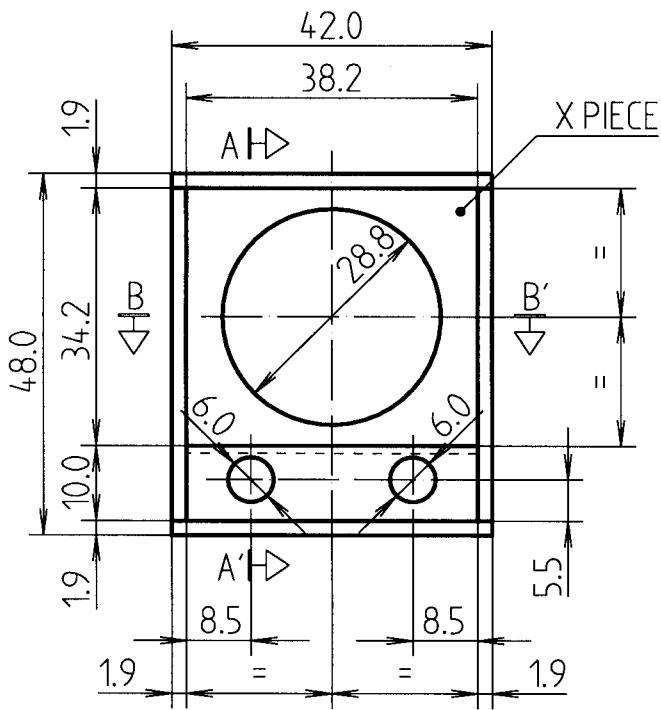
C - C' CROSS SECTION



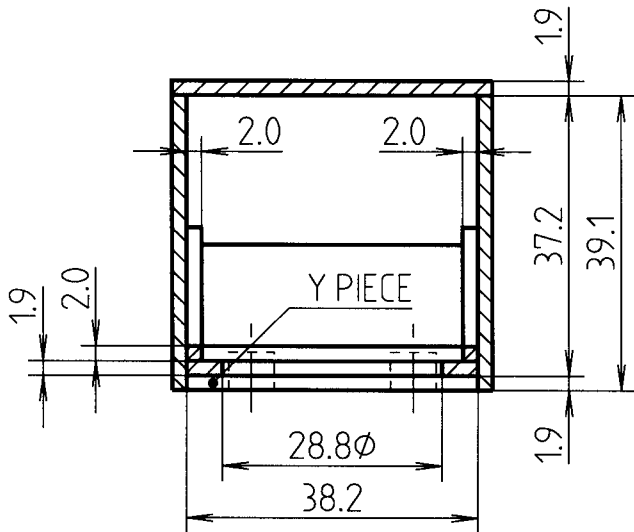
Y PIECE



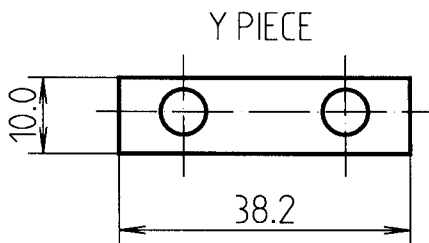
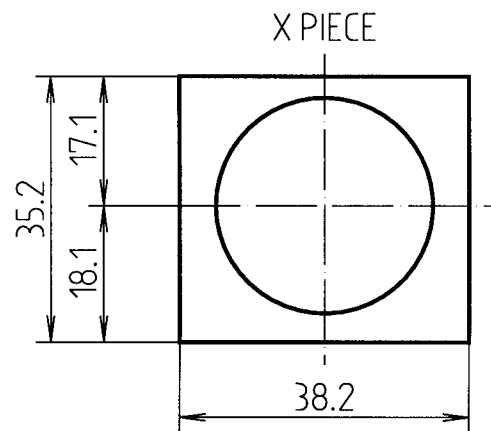
D - D' CROSS SECTION



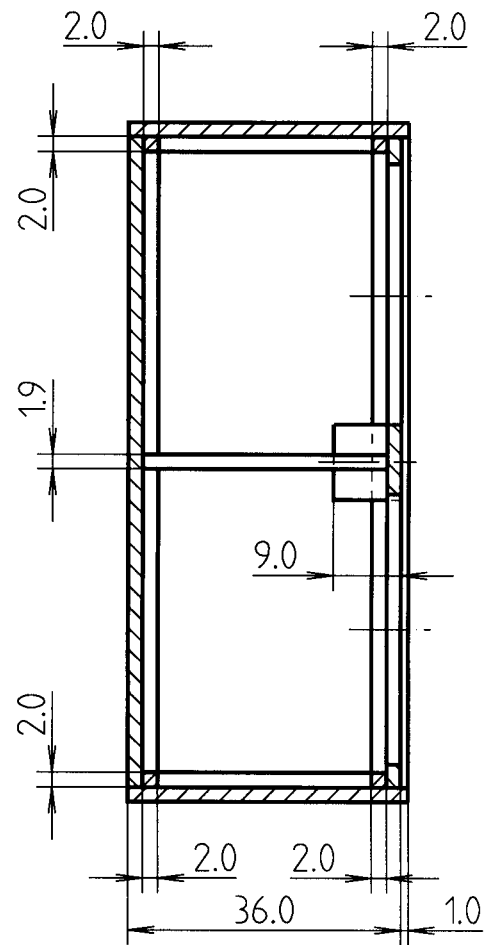
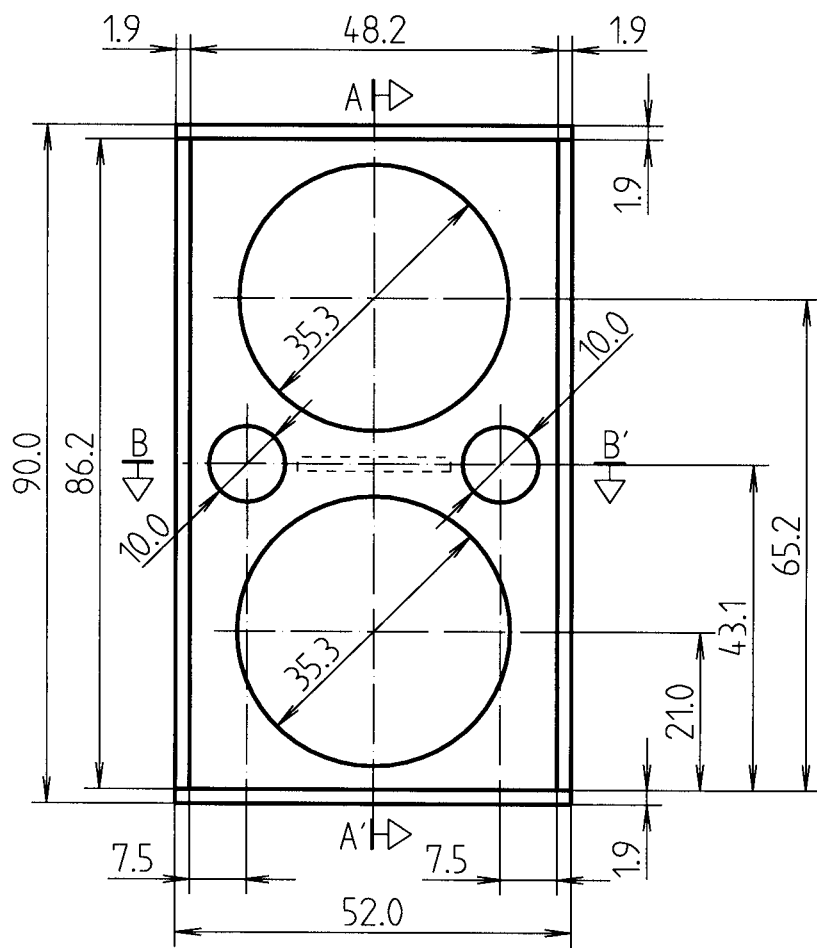
A-A' CROSS SECTION



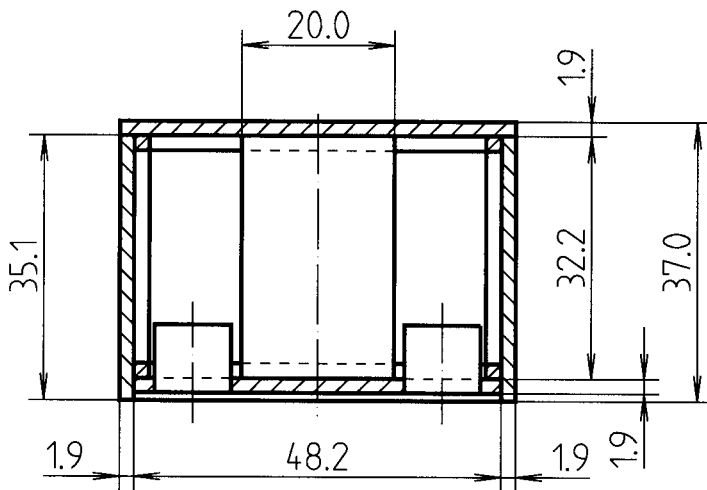
B-B' CROSS SECTION



MODEL	ENCLOSURE DESIGN	FREQUENCY RESPONSE	EFFICIENCY	POWER CAPACITY	IMPEDANCE
B-17/9	2 WAY STAGE MONITOR	60 Hz - 17 kHz	98 dB 1w @ 1m	300 w RMS	8 ohms.
COMPONENTS	1 co-axial unit 12"XM or 12"KX 8 ohms.				
	1 passive crossover FD-250.				



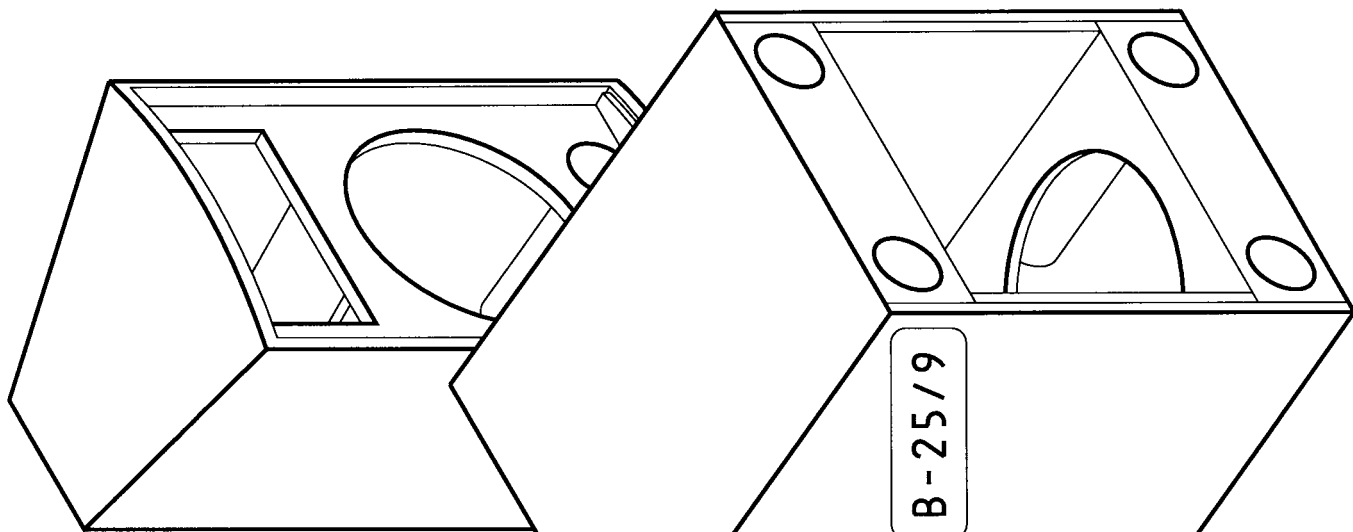
A-A' CROSS SECTION



B-B' CROSS SECTION

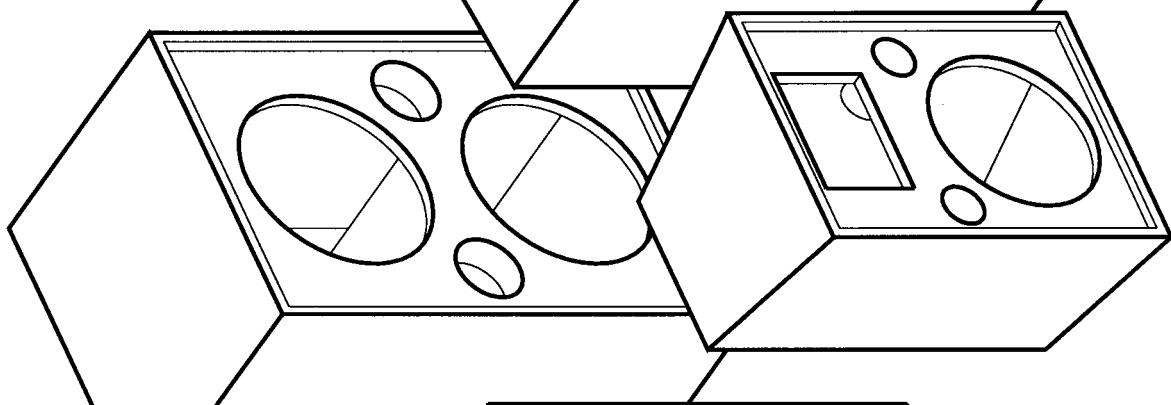
(beyma)
loudspeakers

MODEL	ENCLOSURE DESIGN	FREQUENCY RESPONSE	EFFICIENCY	POWER CAPACITY	IMPEDANCE
B-18/9	2 WAY BASS-REFLEX	50 Hz - 17 kHz	102 dB 1w @ 1m	500 w RMS	4 ohms. L.F. 8 ohms. H.F.
COMPONENTS	1 co-axial unit 15''XM or 15''KX 8 ohms.				
	1 bass unit 15''M-300 or 15''G-350 8 ohms.				
	1 passive crossover FD-250.				



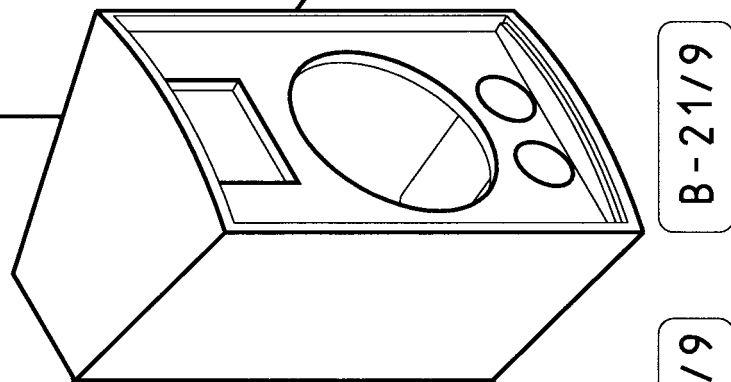
B-23/9

B-25/9



B-20/9

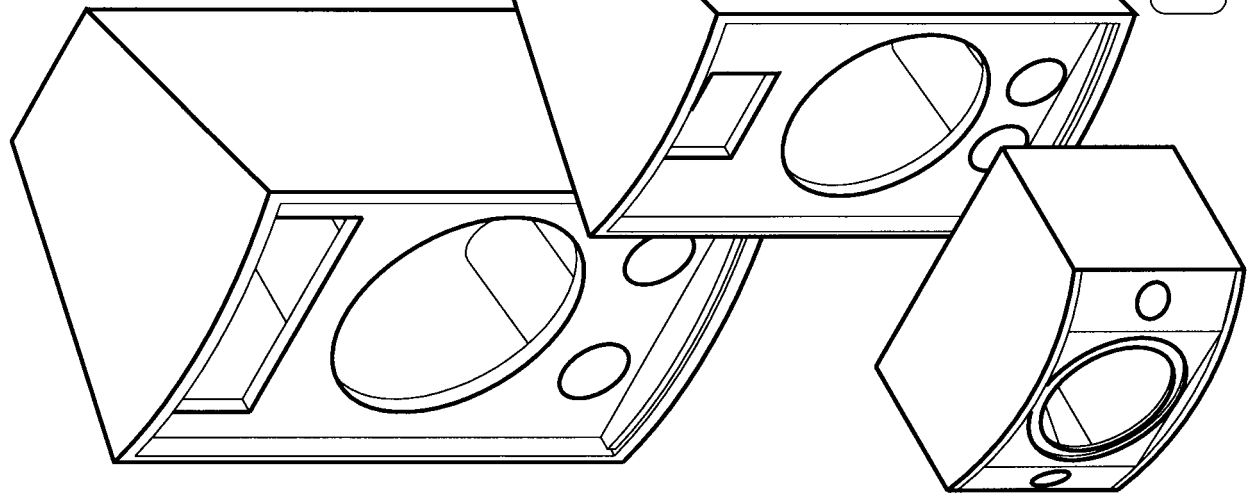
B-19/9



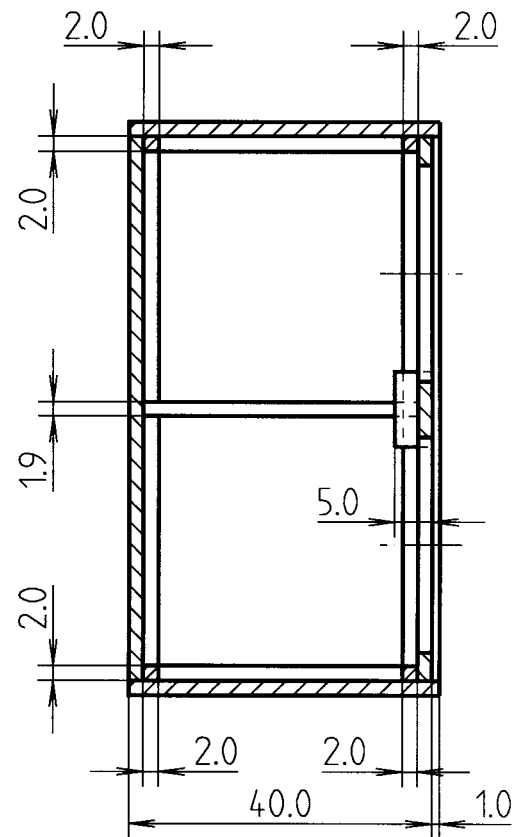
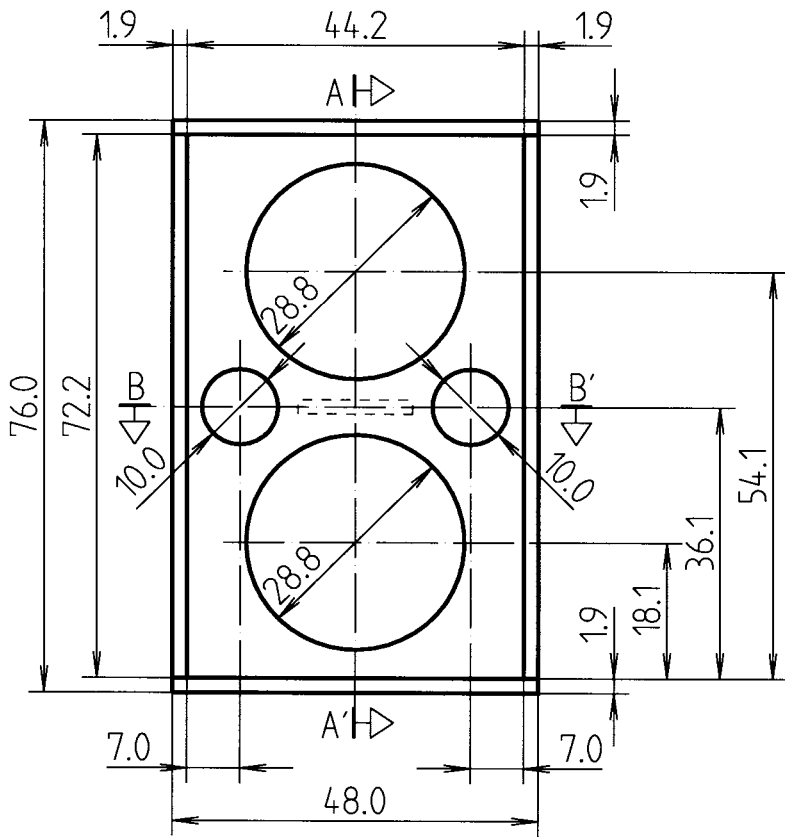
B-21/9

B-22/9

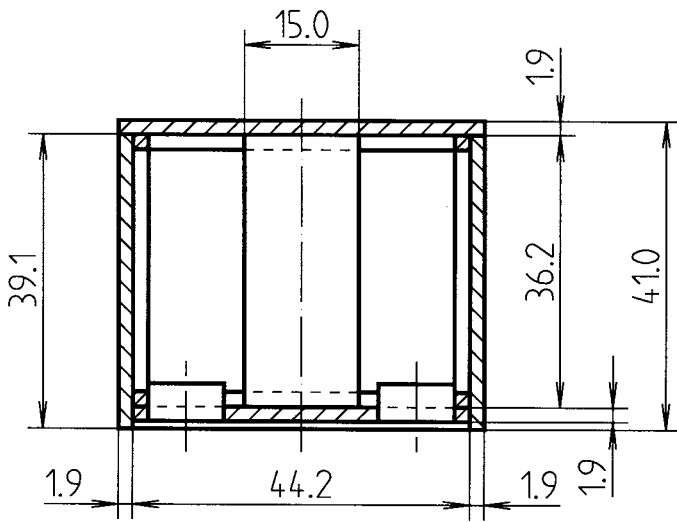
B-24/9



B-26/9



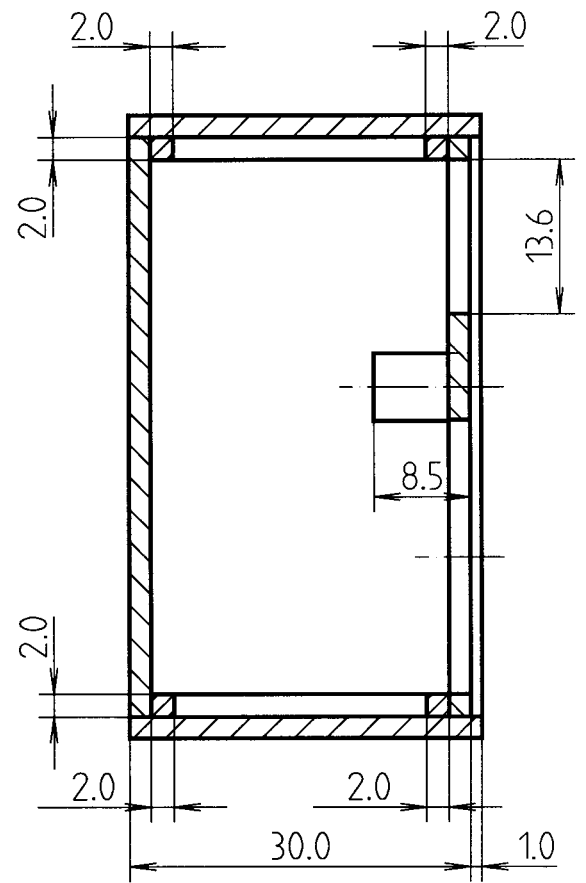
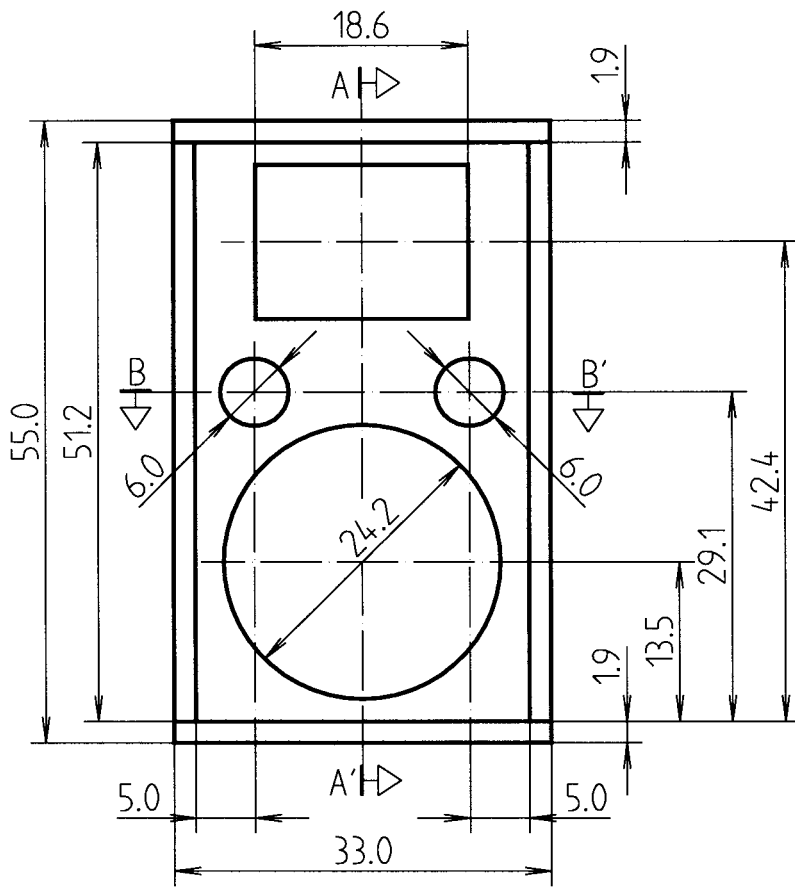
A-A' CROSS SECTION



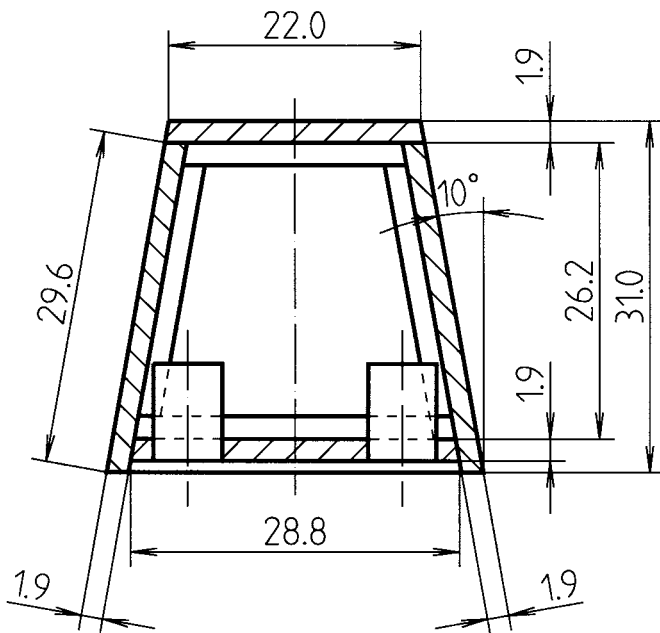
B-B' CROSS SECTION

(beyma)
Loudspeakers

MODEL	ENCLOSURE DESIGN	FREQUENCY RESPONSE	EFFICIENCY	POWER CAPACITY	IMPEDANCE
B-19/9	2 WAY BASS-REFLEX	55 Hz - 17 kHz	101 dB 1w @ 1m	500 w RMS	4 ohms. L.F.
COMPONENTS	1 co-axial unit 12''XM or 12''KX 8 ohms.				8 ohms. H.F.
	1 bass unit 12''K-200 or 12''G-350 8 ohms.				
	1 passive crossover FD-250.				



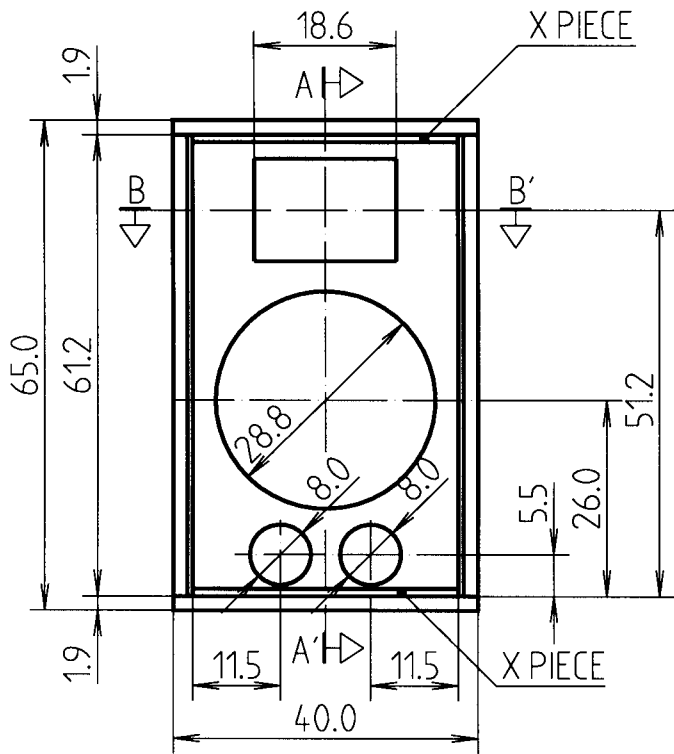
A-A' CROSS SECTION



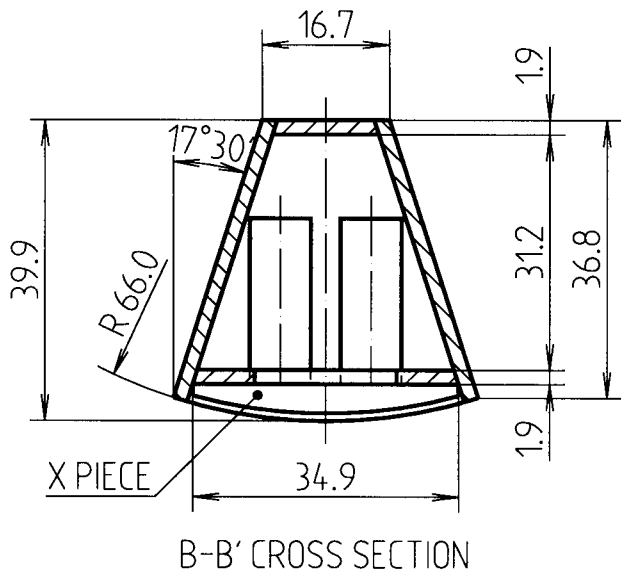
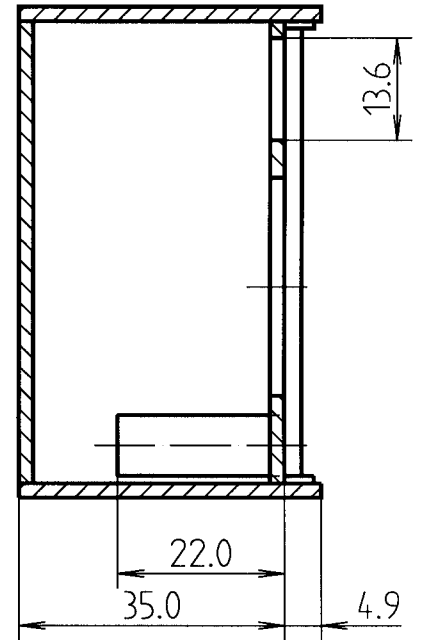
B-B' CROSS SECTION



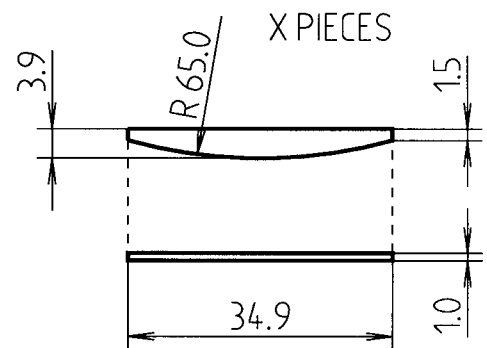
MODEL	ENCLOSURE DESIGN	FREQUENCY RESPONSE	EFFICIENCY	POWER CAPACITY	IMPEDANCE
B-20/9	2 WAY BASS-REFLEX	55 Hz - 20 kHz	97 dB 1w @ 1m	300 w RMS	8 ohms.
COMPONENTS	1 bass unit 10''G-200 8 ohms.				
	1 compression driver CP-380/M 8 ohms.				
	1 high frequency horn TD-235 or TD-245.				
	1 passive crossover FD-250.				



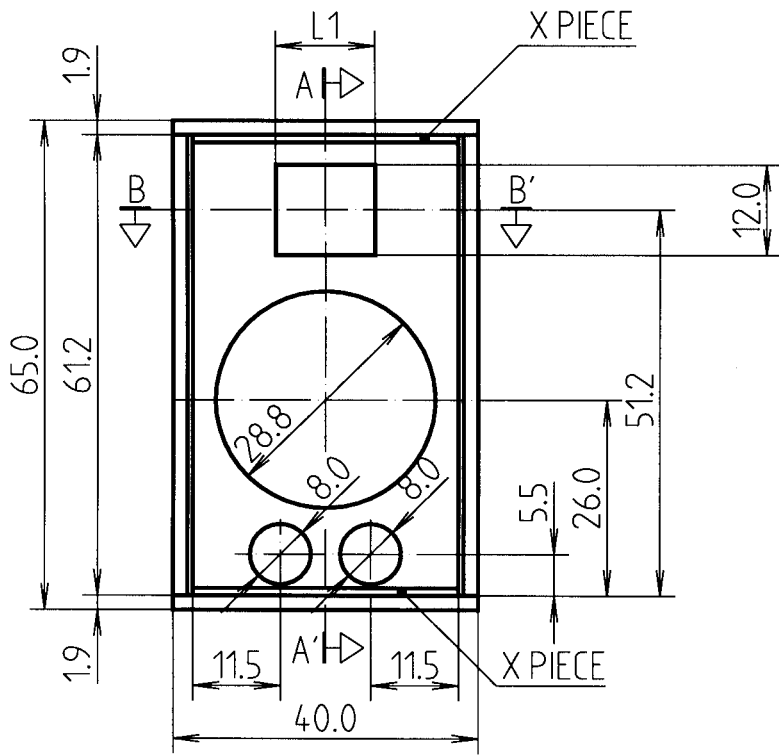
A-A' CROSS SECTION



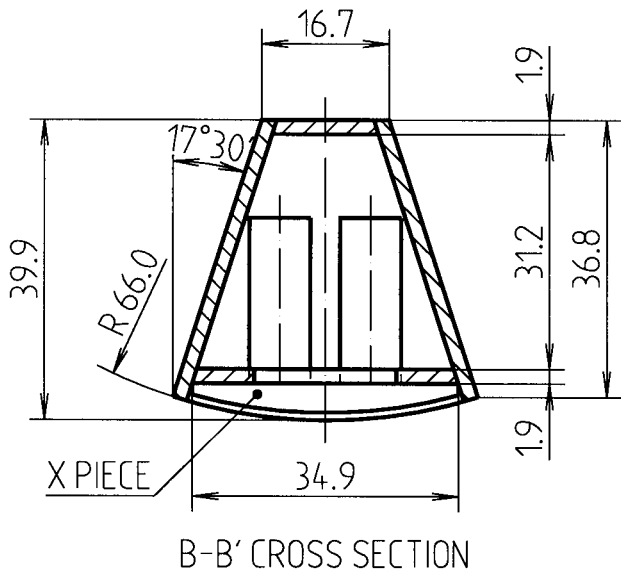
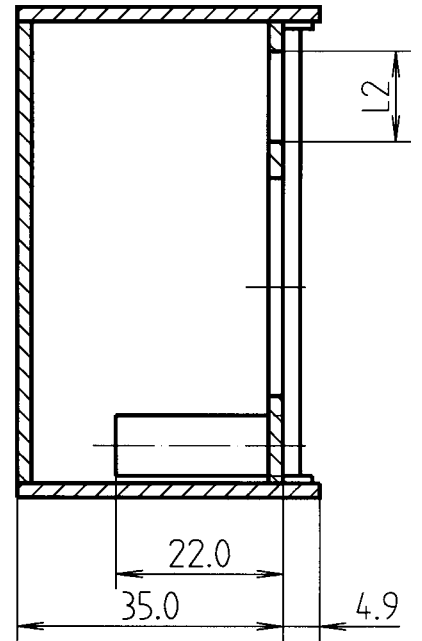
B-B' CROSS SECTION



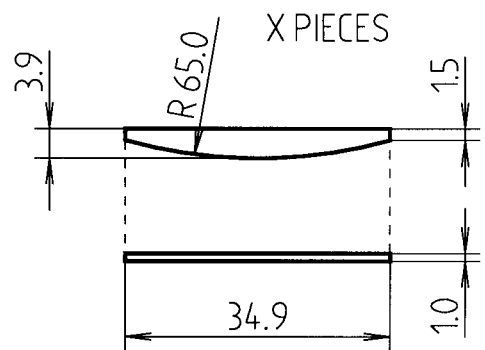
MODEL	ENCLOSURE DESIGN	FREQUENCY RESPONSE	EFFICIENCY	POWER CAPACITY	IMPEDANCE
B-21/9	2 WAY BASS-REFLEX	45 Hz - 20000 Hz	97 dB 1w @ 1m	600 w RMS	8 ohms.
COMPONENTS	1 bass unit 12''LX-60 8 ohms.				
	1 compression driver CP-380/M 8 ohms.				
	1 high frequency horn TD-235 or TD-245.				
	1 passive crossover FD-250.				



A-A' CROSS SECTION



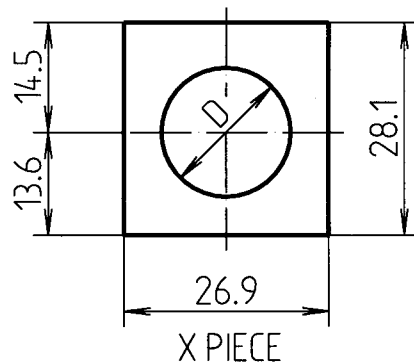
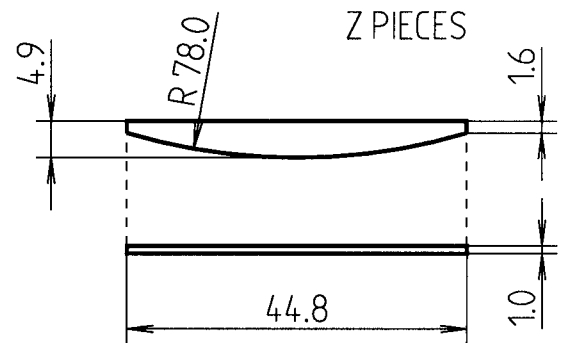
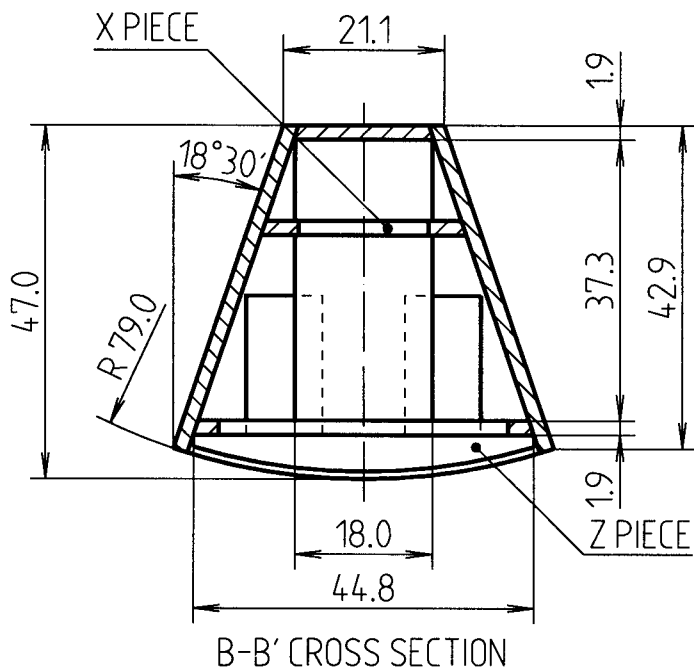
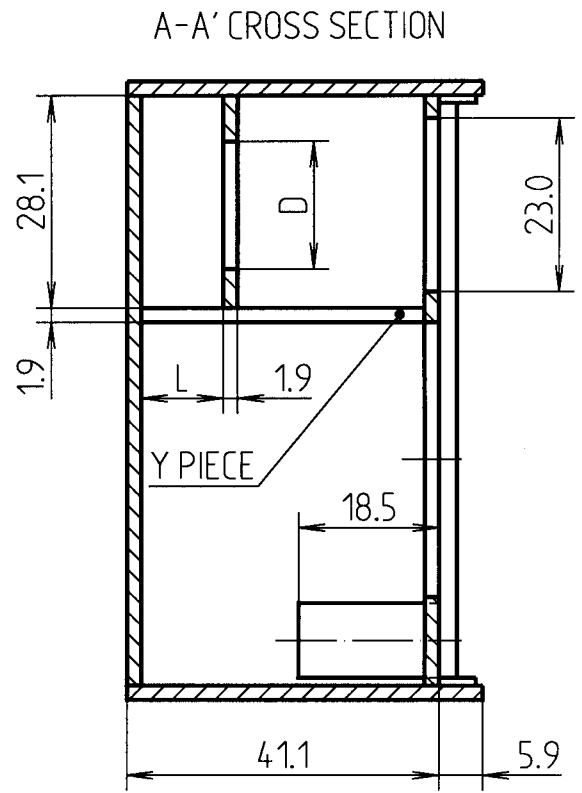
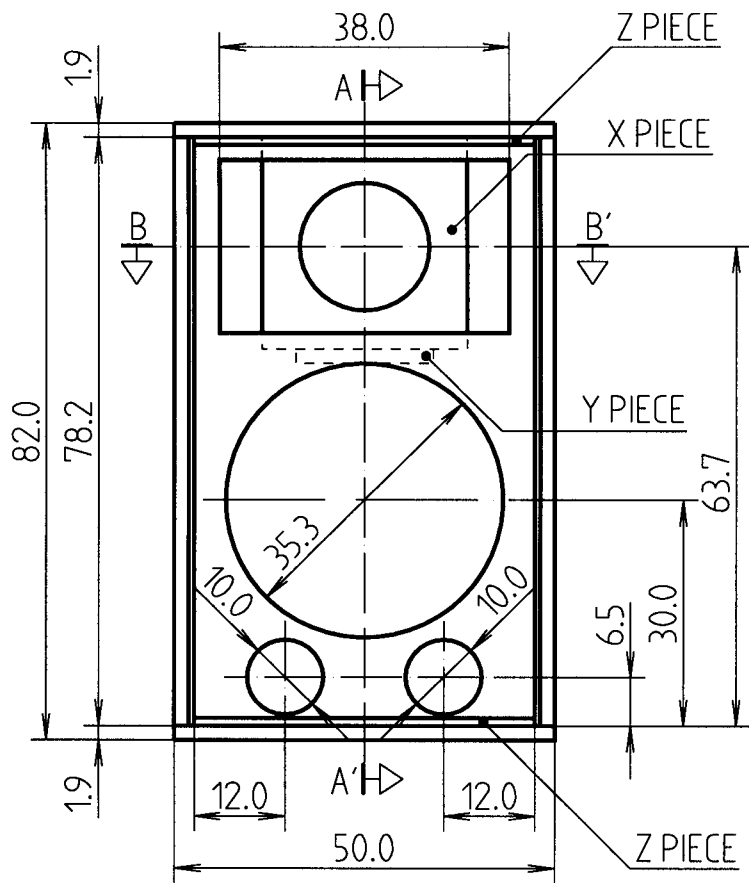
B-B' CROSS SECTION



MODEL	L1	L2
CP-25	13.0 cm.	12.0 cm.
CP-09	9.0 cm.	7.0 cm.



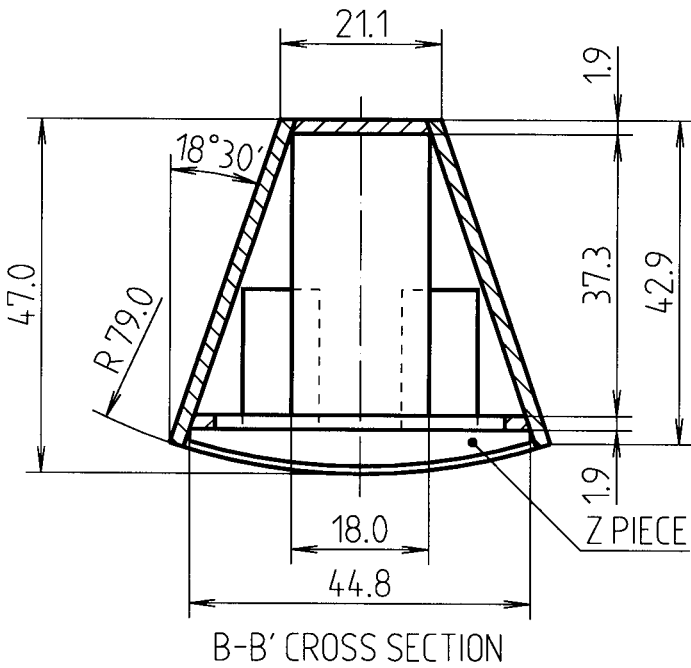
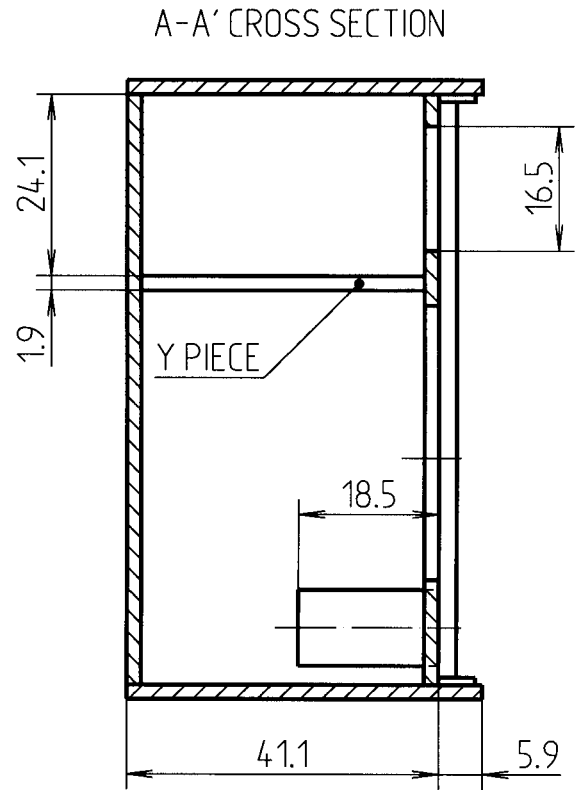
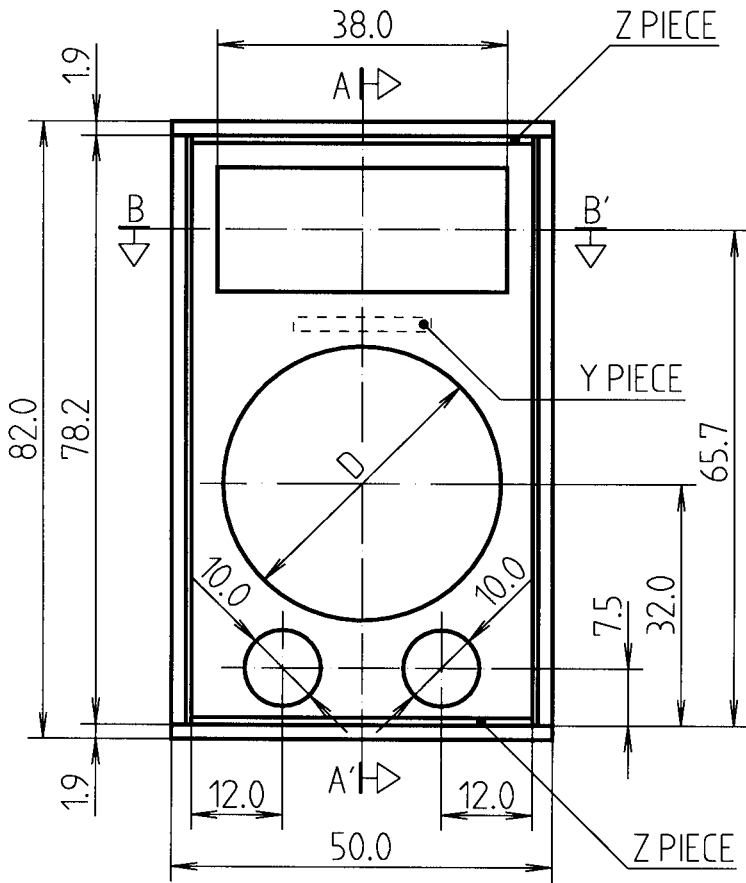
MODEL	ENCLOSURE DESIGN	FREQUENCY RESPONSE	EFFICIENCY	POWER CAPACITY	IMPEDANCE
B-22/9	2 WAY BASS-REFLEX	45 Hz - 20000 Hz	97 dB 1w @ 1m	600 w RMS	8 ohms.
COMPONENTS	1 bass unit 12''G-350 or 12''G-125 8 ohms.				
	1 compression tweeter CP-25 or CP-09 8 ohms.				
	1 passive crossover F-100.				



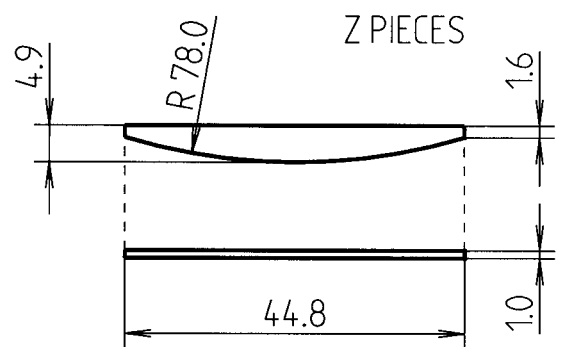
MODEL	D	L
CP-850/Nd	17.0 cm.	10.8 cm.
CP-800/Ti	23.3 cm.	10.8 cm.
CP-650/Ti	20.5 cm.	14.4 cm.



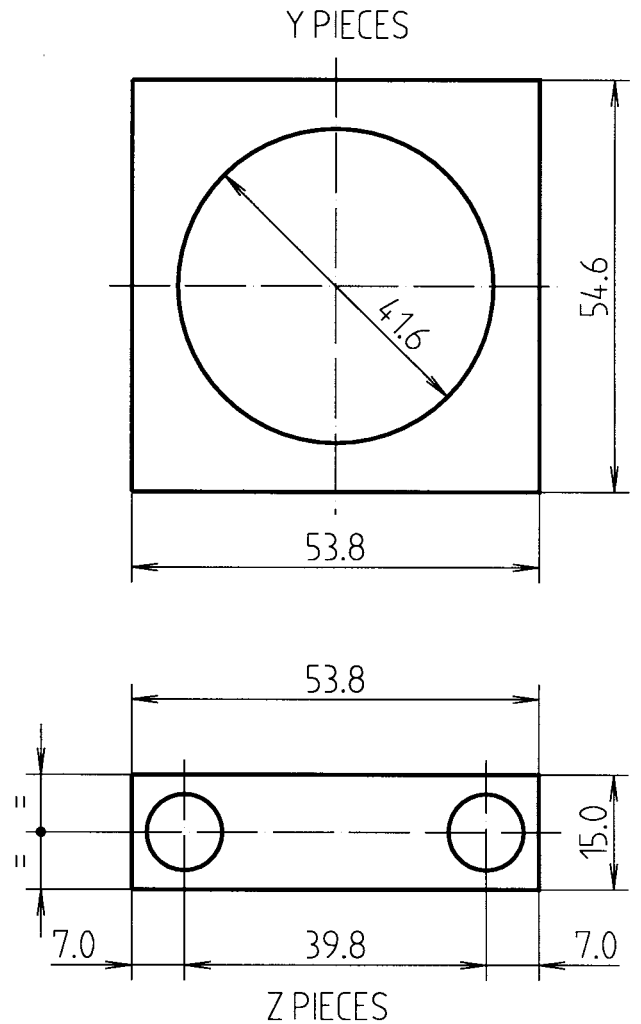
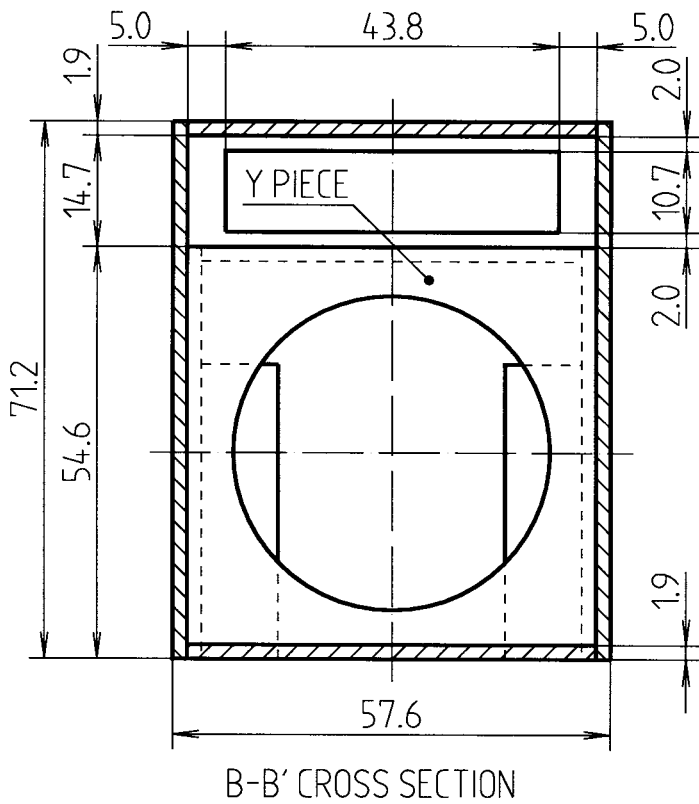
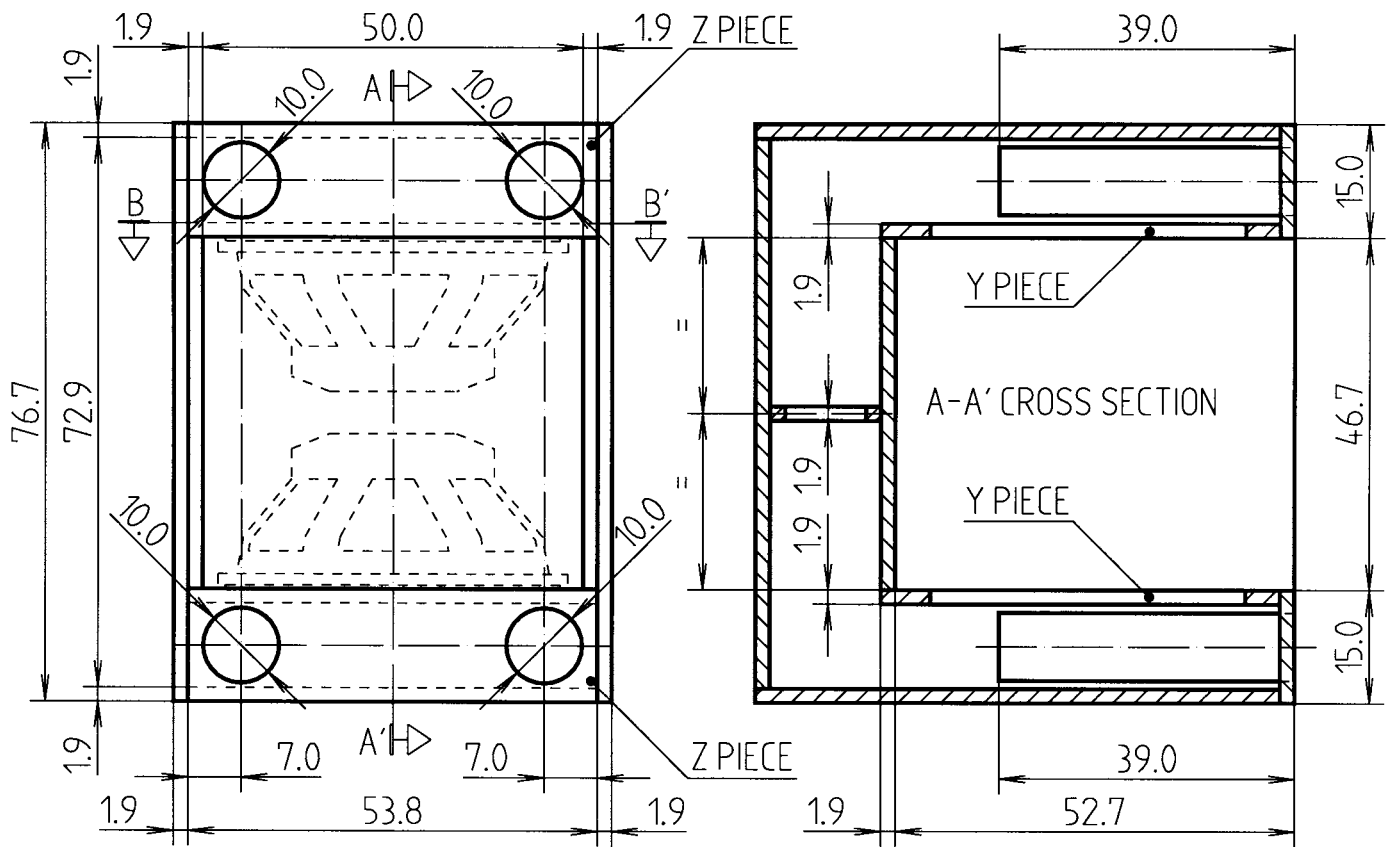
MODEL	ENCLOSURE DESIGN	FREQUENCY RESPONSE	EFFICIENCY	POWER CAPACITY	IMPEDANCE
B-23/9	2 WAY BASS-REFLEX	45 Hz - 20 kHz	98 dB 1w @ 1m	600 w RMS	8 ohms.
COMPONENTS	1 bass unit 15''LX-60 8 ohms.				
	1 compression driver CP-850/Nd or CP-800/Ti or CP-650/Ti 8 ohms.				
	1 high frequency horn TD-460/N or TD-400/N.				
	1 passive crossover FD-212 or FD-250.				



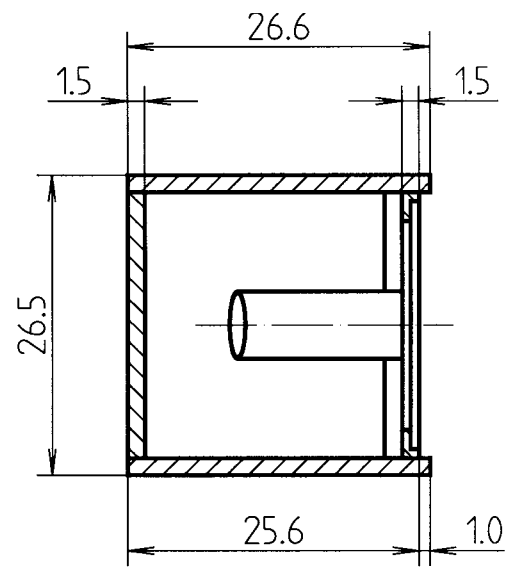
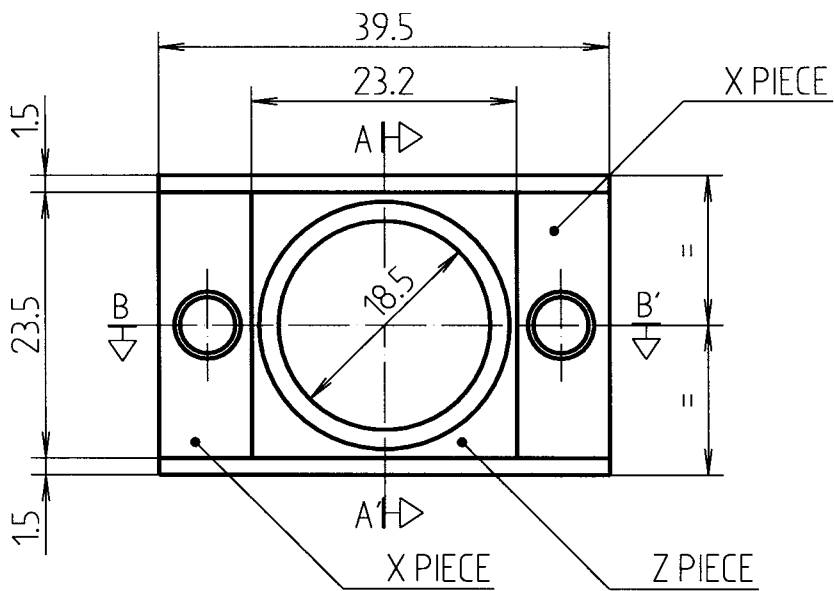
MODEL	D
15"G-350	35.3 cm.
15"K-200	36.4 cm.



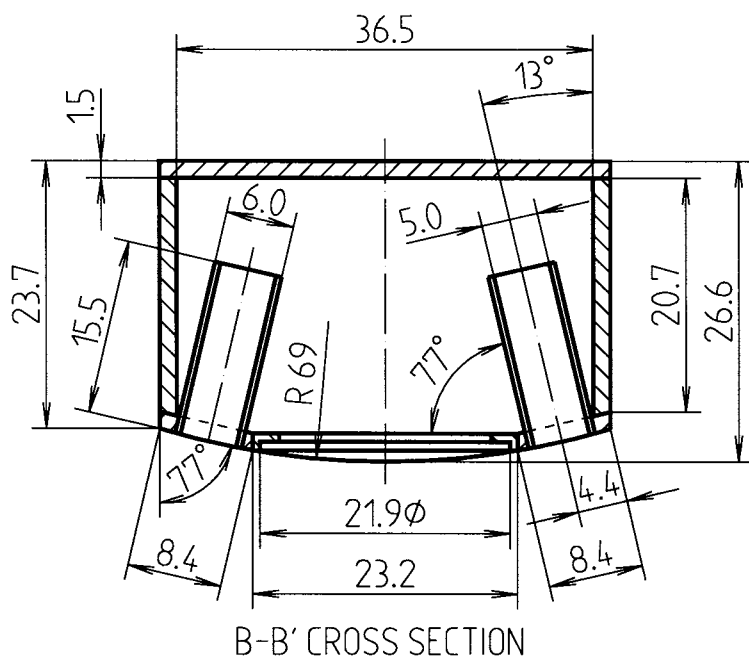
MODEL	ENCLOSURE DESIGN	FREQUENCY RESPONSE	EFFICIENCY	POWER CAPACITY	IMPEDANCE
B-24/9	2 WAY BASS-REFLEX	42 Hz - 20 kHz	98 dB 1w @ 1m	600 w RMS	8 ohms.
COMPONENTS	1 bass unit 15"K-200 or 15"G-350 8 ohms.				
	1 compression driver CP-380/M 8 ohms.				
	1 high frequency horn TD-250.				
	1 passive crossover FD-250.				



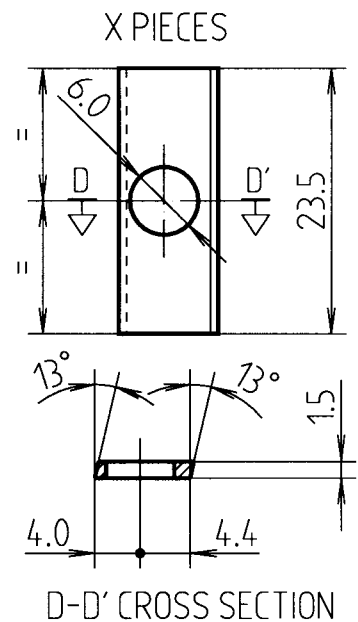
MODEL	ENCLOSURE DESIGN	FREQUENCY RESPONSE	EFFICIENCY	POWER CAPACITY	IMPEDANCE
B-25/9	18" BAND-PASS	40 Hz - 150 Hz	101 dB 1w @ 1m	1200 w RMS	4 ohms.
COMPONENTS	2 bass units 18" LX-60 8 ohms.				



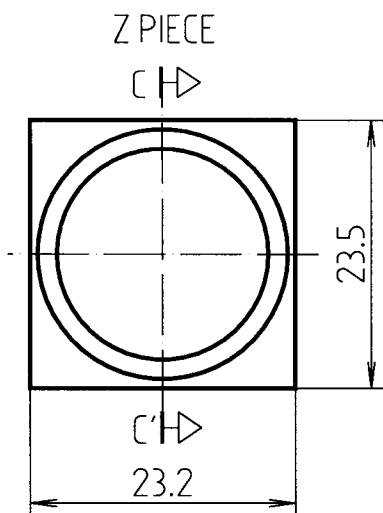
A-A' CROSS SECTION



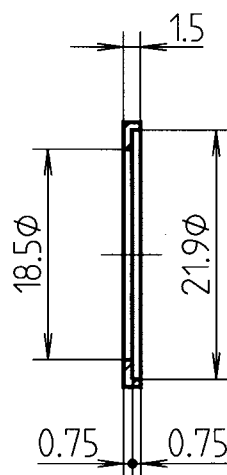
B-B' CROSS SECTION



D-D' CROSS SECTION



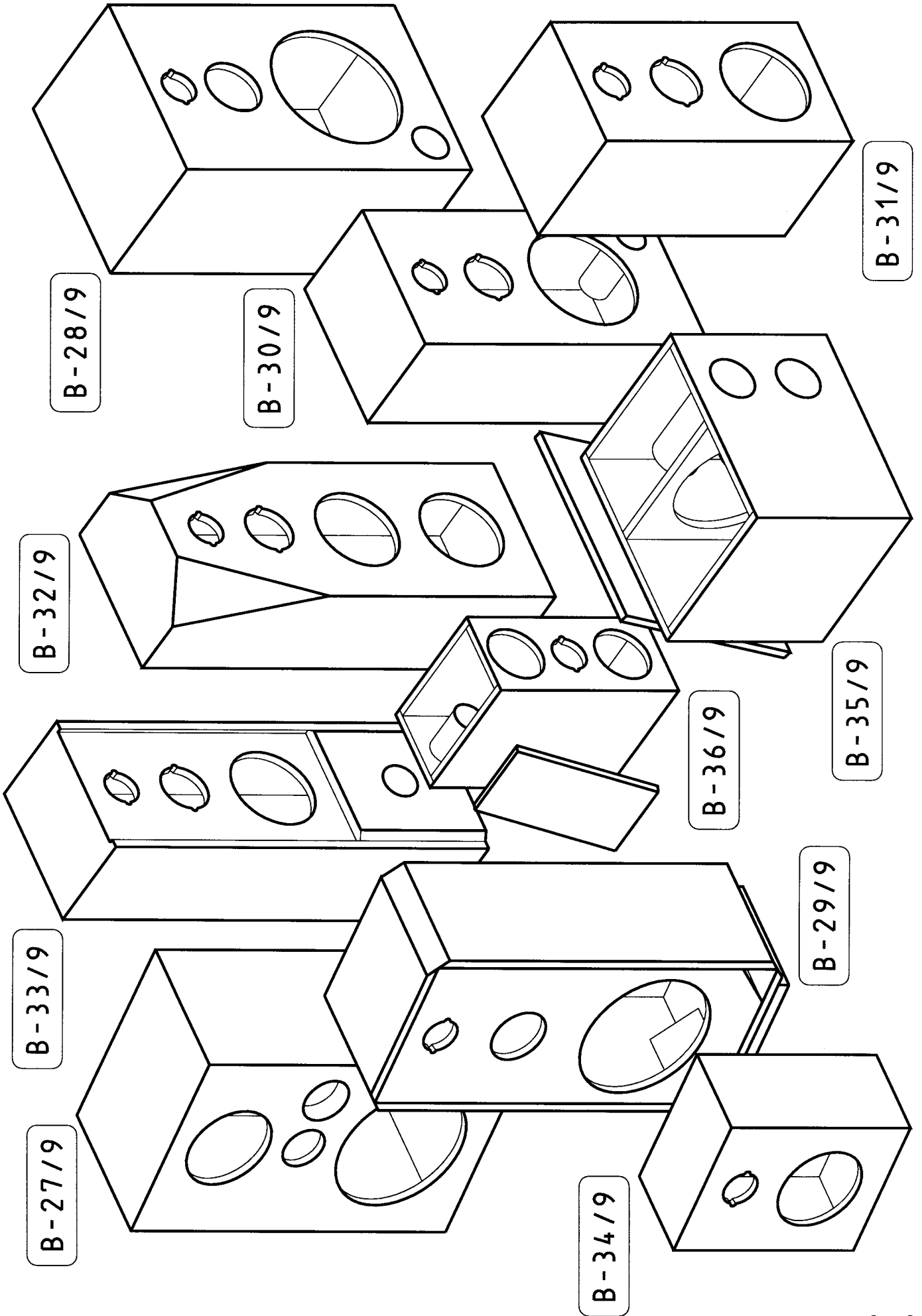
Z-Z' CROSS SECTION

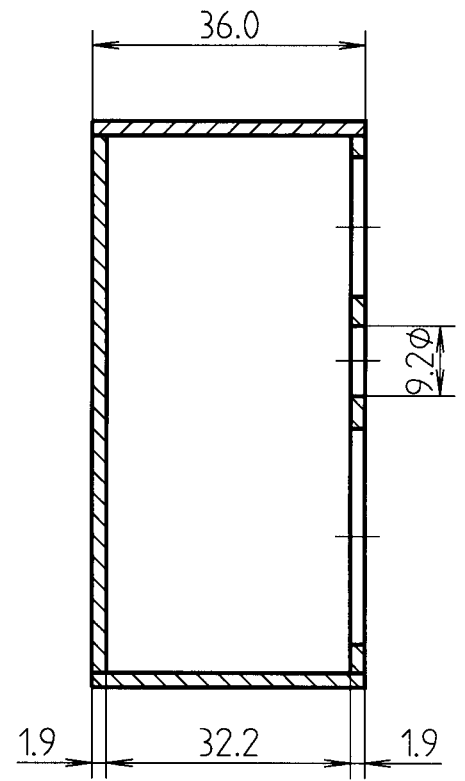
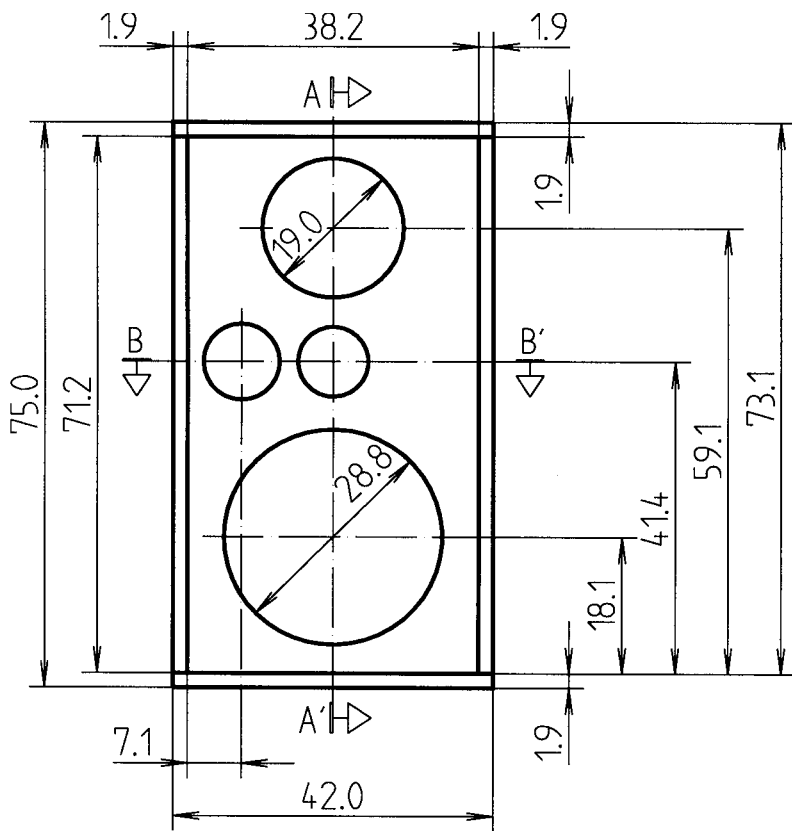


C-C' CROSS SECTION

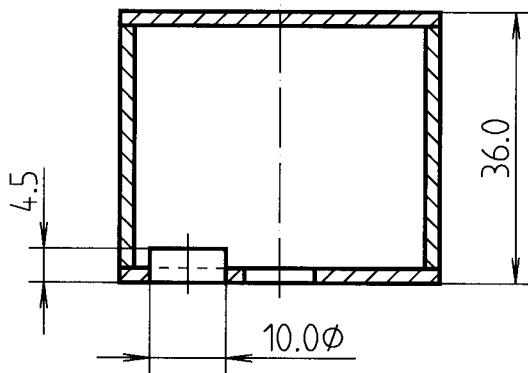


MODEL	ENCLOSURE DESIGN	FREQUENCY RESPONSE	EFFICIENCY	POWER CAPACITY	IMPEDANCE
B-26/9	2 WAY BASS-REFLEX	40 Hz - 20 kHz	92 dB 1w @ 1m	100 w RMS	8 ohms.
COMPONENTS	1 co-axial unit 8"BX 8 ohms.				
	1 passive crossover F-102.				

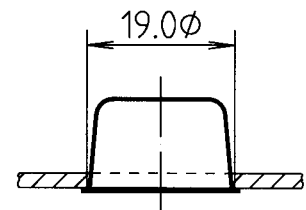




A - A' CROSS SECTION



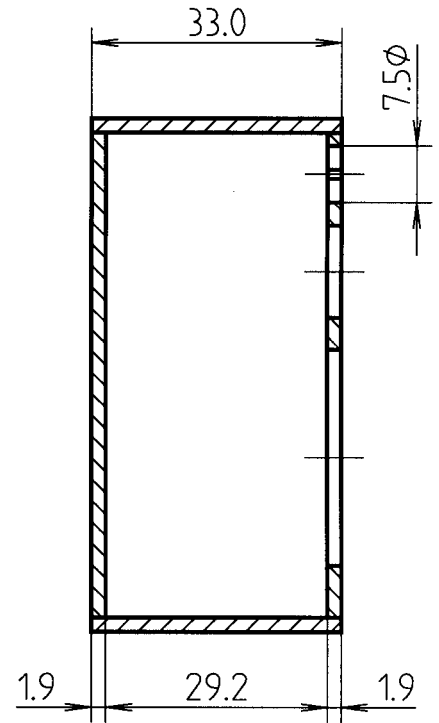
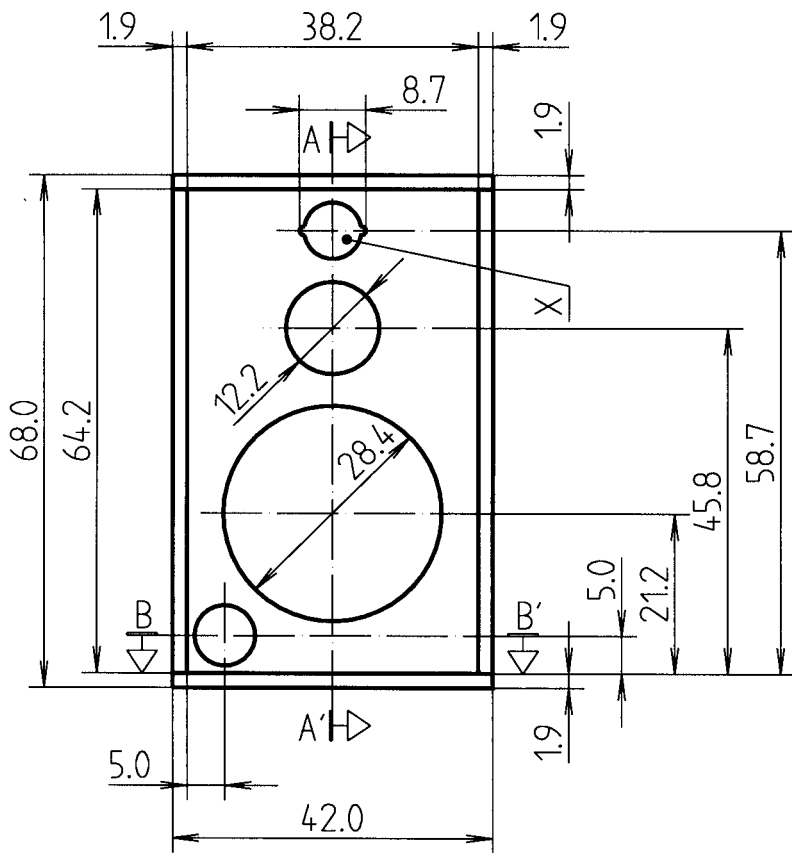
B - B' CROSS SECTION



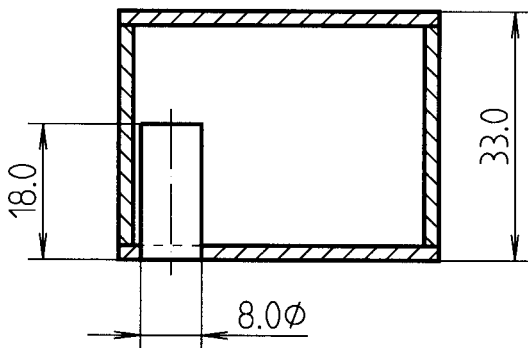
MOUNTING VM-100
WITH 8" M-60/N



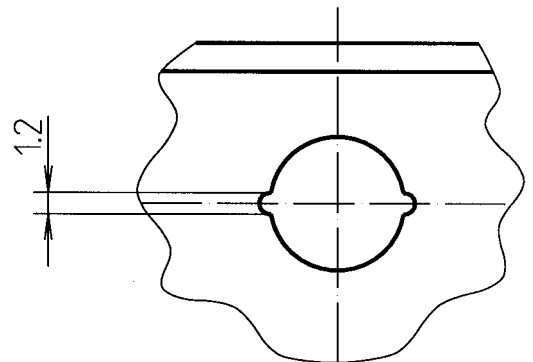
MODEL	ENCLOSURE DESIGN	FREQUENCY RESPONSE	EFFICIENCY	POWER CAPACITY	IMPEDANCE
B-27/9	3 WAY BASS-REFLEX	40 Hz - 20 kHz	96 dB 1w @ 1m	200 w RMS	8 ohms.
COMPONENTS	1 bass unit 12" B-100/R 8 ohms.				
	1 mid-range unit 8" M-60/N 8 ohms. with back cover VM-100.				
	1 high frequency compression unit CP-21/F 8 ohms.				
	1 passive crossover F-300.				



A - A' CROSS SECTION



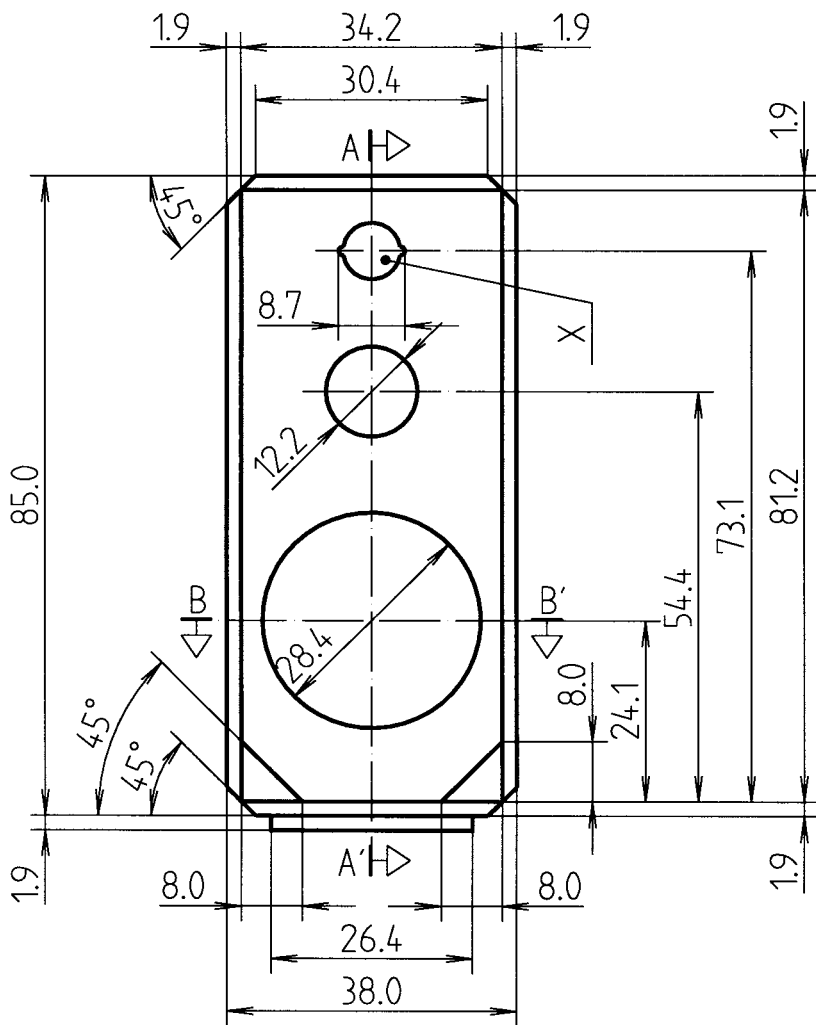
B - B' CROSS SECTION



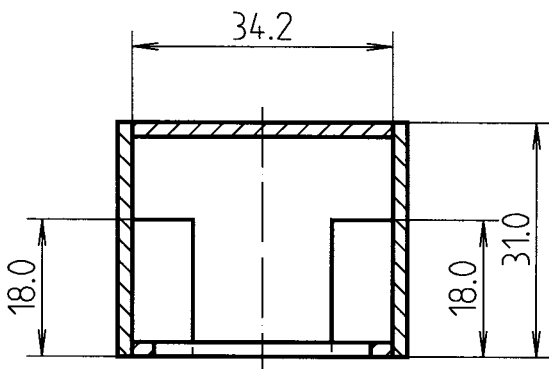
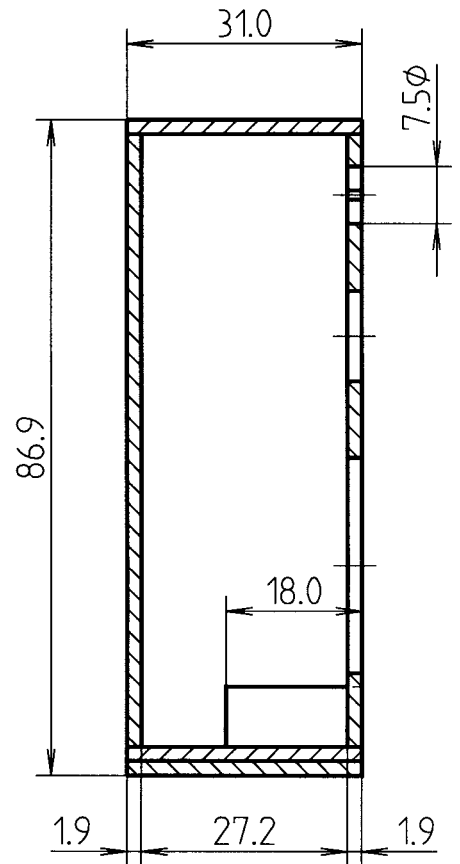
X DETAIL



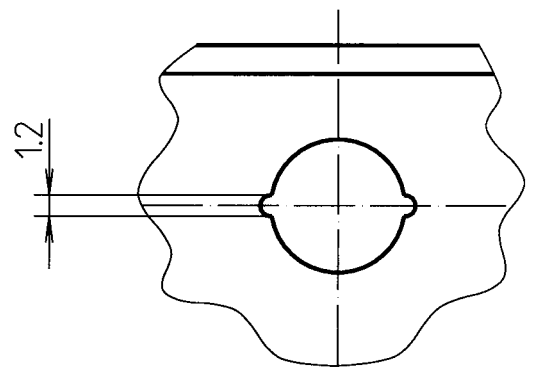
MODEL	ENCLOSURE DESIGN	FREQUENCY RESPONSE	EFFICIENCY	POWER CAPACITY	IMPEDANCE
B-28/9	3 WAY BASS-REFLEX	40 Hz - 20 kHz	94 dB 1w @ 1m	125 w RMS	8 ohms.
COMPONENTS	1 bass unit 12''B-70 8 ohms.				
	1 mid-range unit 5''MP-60/N or 5''M-30 8 ohms. with back cover VM-30.				
	1 dome tweeter T-2030 8 ohms.				
	1 passive crossover F-300.				



A - A' CROSS SECTION



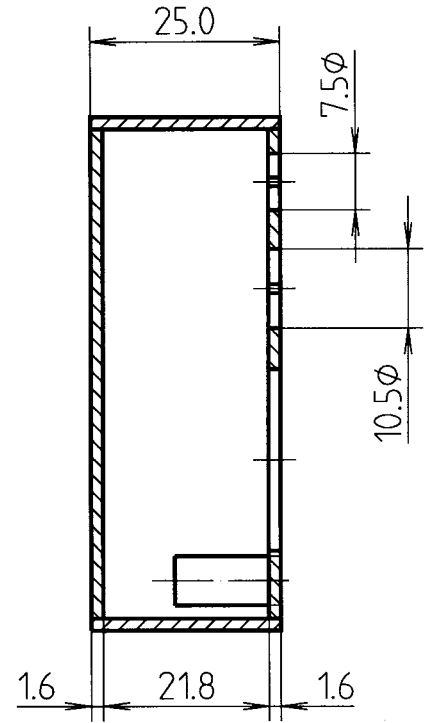
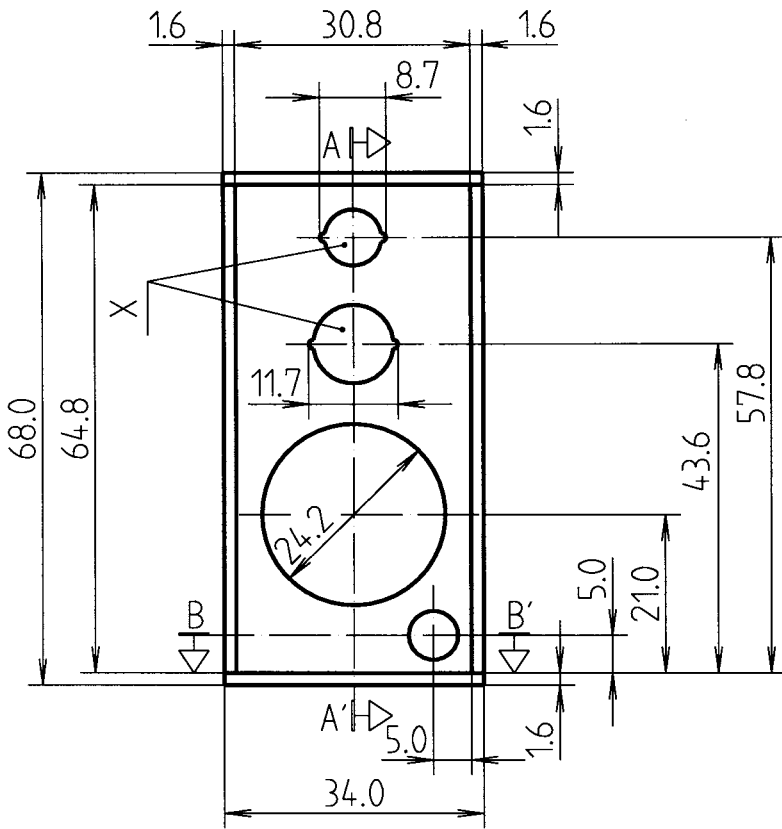
B - B' CROSS SECTION



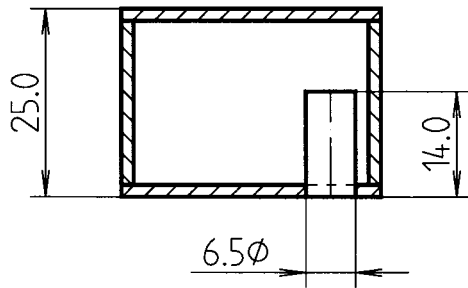
X DETAIL



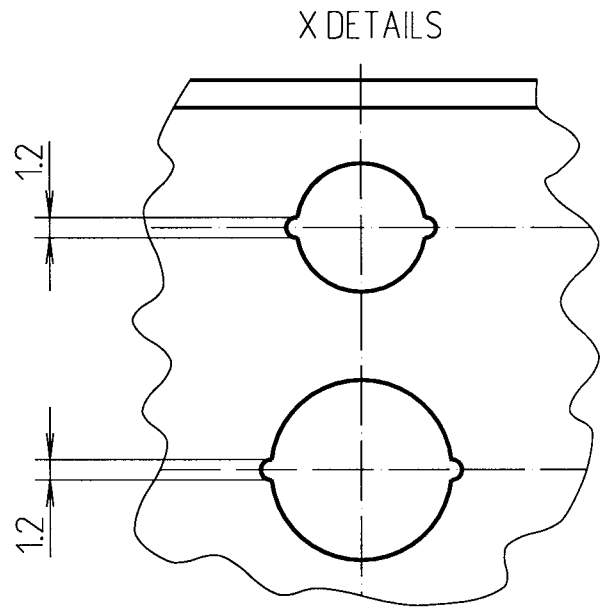
MODEL	ENCLOSURE DESIGN	FREQUENCY RESPONSE	EFFICIENCY	POWER CAPACITY	IMPEDANCE
B-29/9	3 WAY BASS-REFLEX	38 Hz - 20 kHz	94 dB 1w @ 1m	125 w RMS	8 ohms.
COMPONENTS	1 bass unit 12''B-70 8 ohms.				
	1 mid-range unit 5''MP-60/N or 5''M-30 8 ohms. with back cover VM-30.				
	1 dome tweeter T-2030 8 ohms.				
	1 passive crossover F-300.				



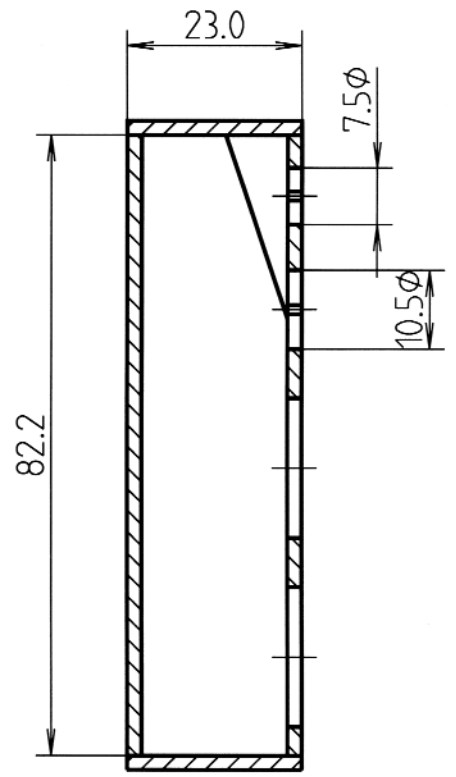
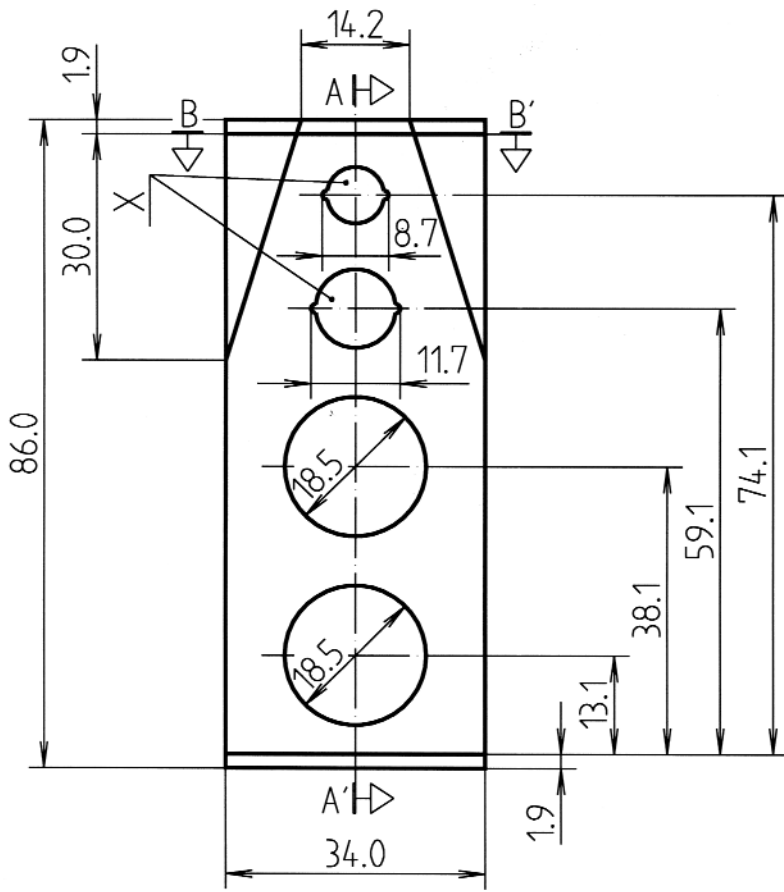
A - A' CROSS SECTION



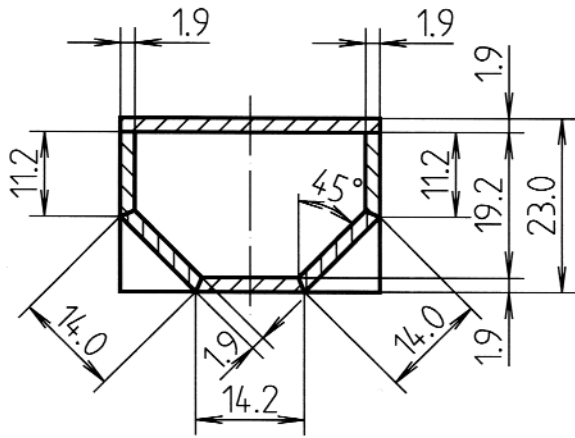
B - B' CROSS SECTION



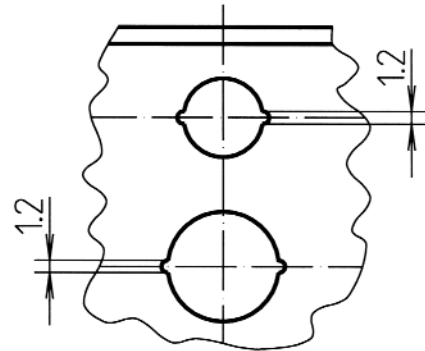
MODEL	ENCLOSURE DESIGN	FREQUENCY RESPONSE	EFFICIENCY	POWER CAPACITY	IMPEDANCE
B-30/9	3 WAY BASS-REFLEX	45 Hz - 20 kHz	92 dB 1w @ 1m	100 w RMS	8 ohms.
COMPONENTS	1 bass unit 10''B-60 8 ohms.				
	1 mid-range dome unit MC-115 8 ohms.				
	1 dome tweeter T-2030 or T-2010 8 ohms.				
	1 passive crossover 3V Hi-fi.				



A - A' CROSS SECTION



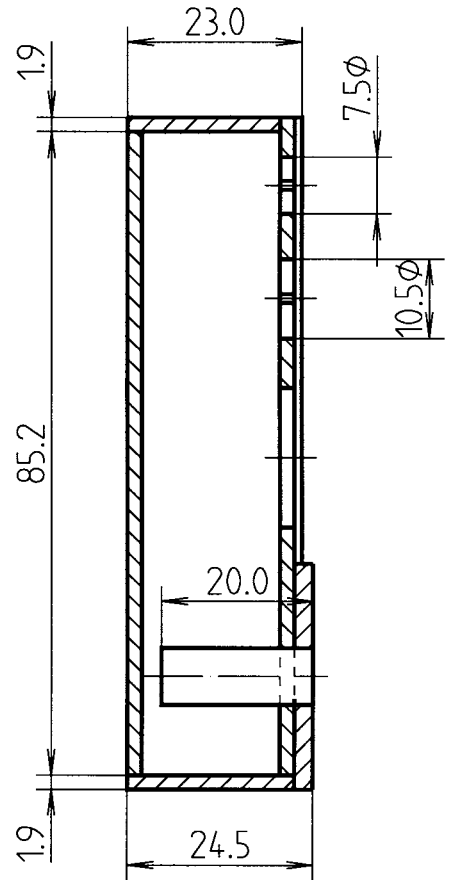
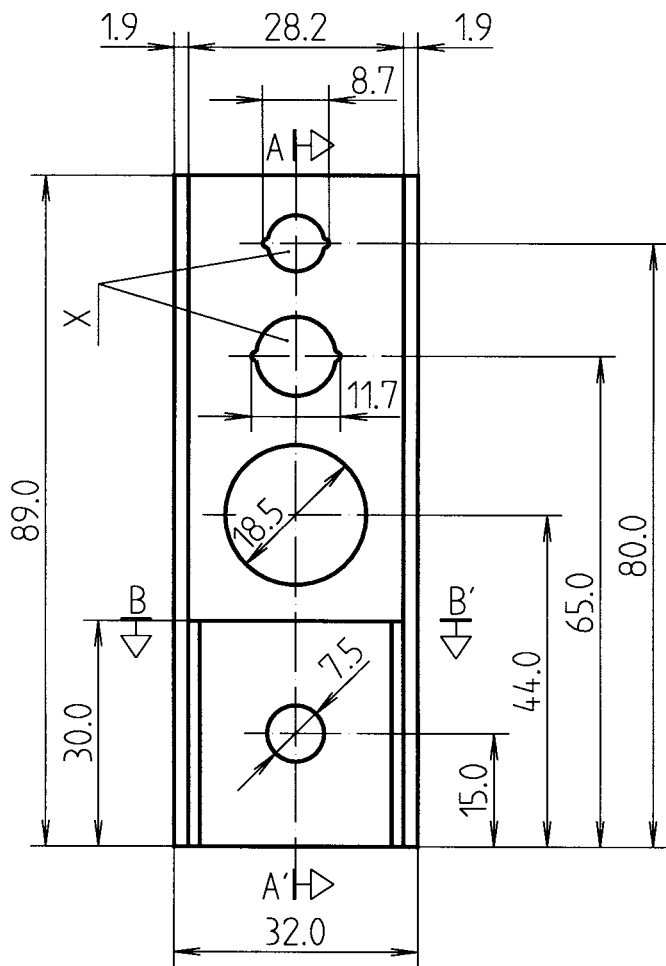
B - B' CROSS SECTION



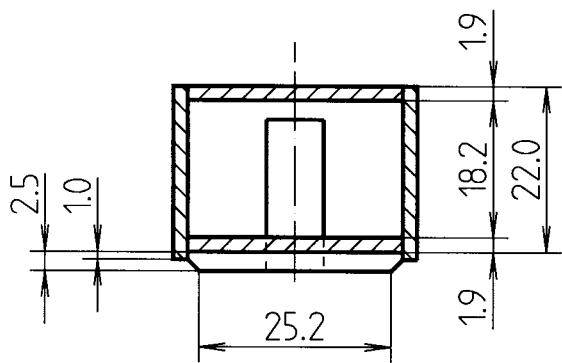
X DETAILS



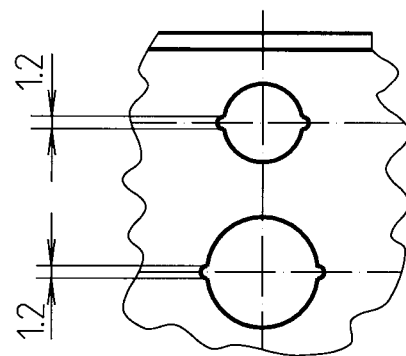
MODEL	ENCLOSURE DESIGN	FREQUENCY RESPONSE	EFFICIENCY	POWER CAPACITY	IMPEDANCE
B-32/9	3 WAY CLOSED BOX	50 Hz - 20 kHz	92 dB 1w @ 1m	100 w RMS	8 ohms.
COMPONENTS	2 bass units 8''B-40 or 8''WOOFER/P 16 ohms.				
	1 mid-range dome unit MC-115 8 ohms.				
	1 dome tweeter T-2030 8 ohms.				
	1 passive crossover 3V Hi-fi.				



A - A' CROSS SECTION



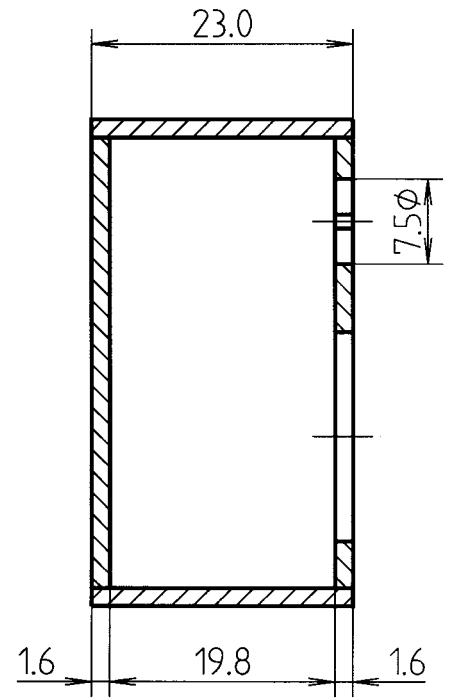
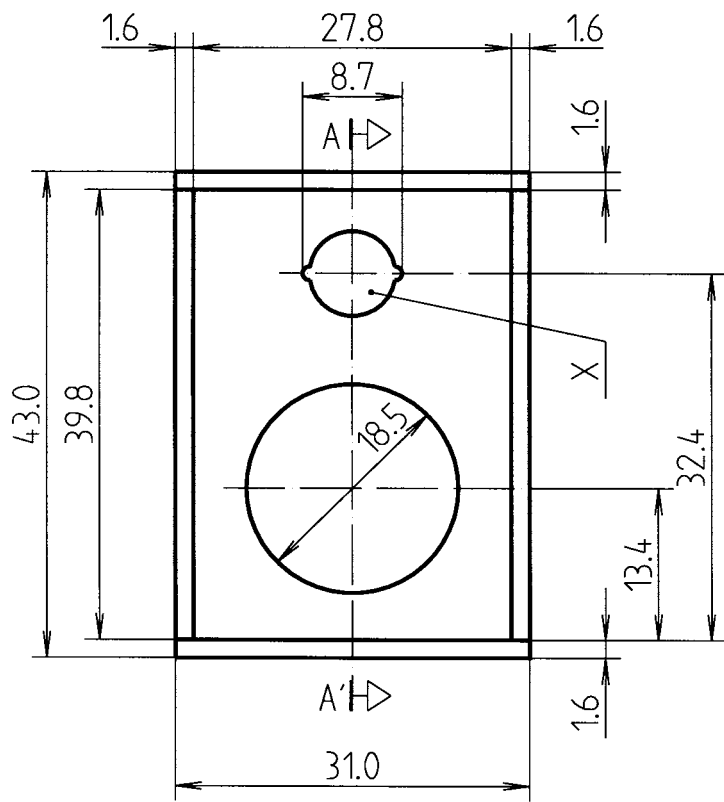
B - B' CROSS SECTION



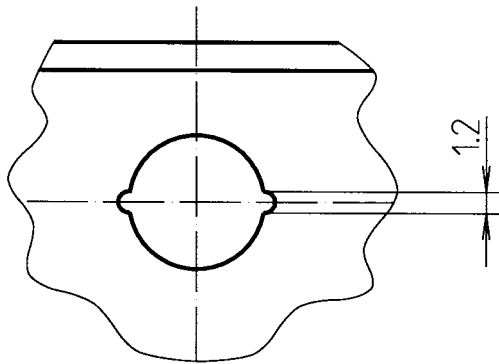
X DETAILS



MODEL	ENCLOSURE DESIGN	FREQUENCY RESPONSE	EFFICIENCY	POWER CAPACITY	IMPEDANCE
B-33/9	3 WAY BASS-REFLEX	35 Hz - 20 kHz	90 dB 1w @ 1m	75 w RMS	8 ohms.
COMPONENTS	1 bass unit 8" WOOFER/P 8 ohms.				
	1 mid-range dome unit MC-115 8 ohms.				
	1 dome tweeter T-2030 or T-2010 8 ohms.				
	1 passive crossover 3V Hi-fi.				



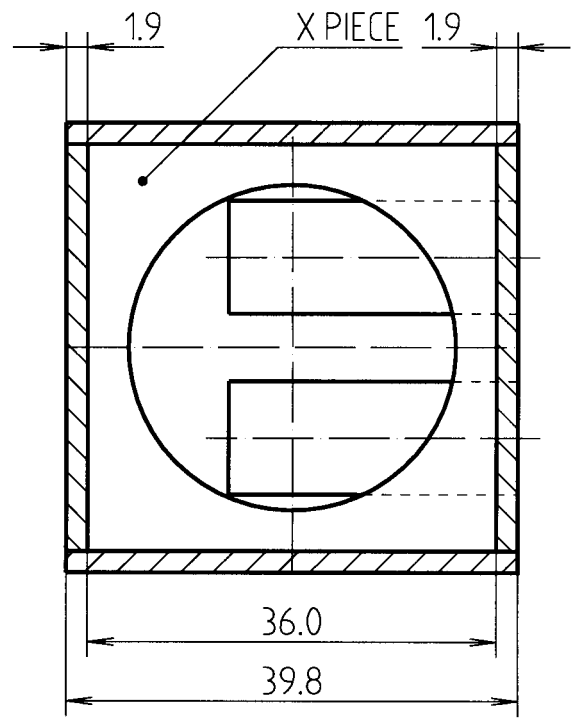
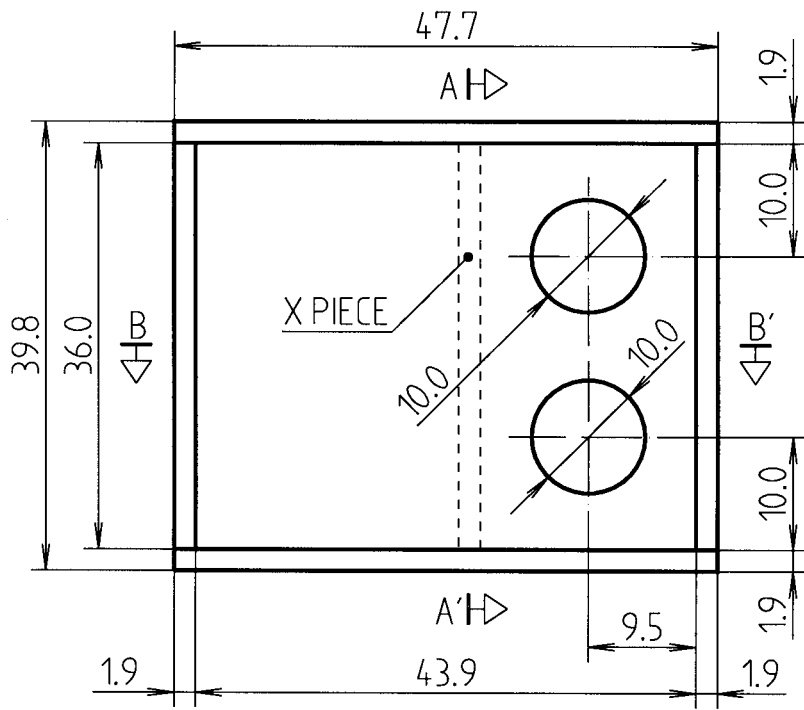
A - A' CROSS SECTION



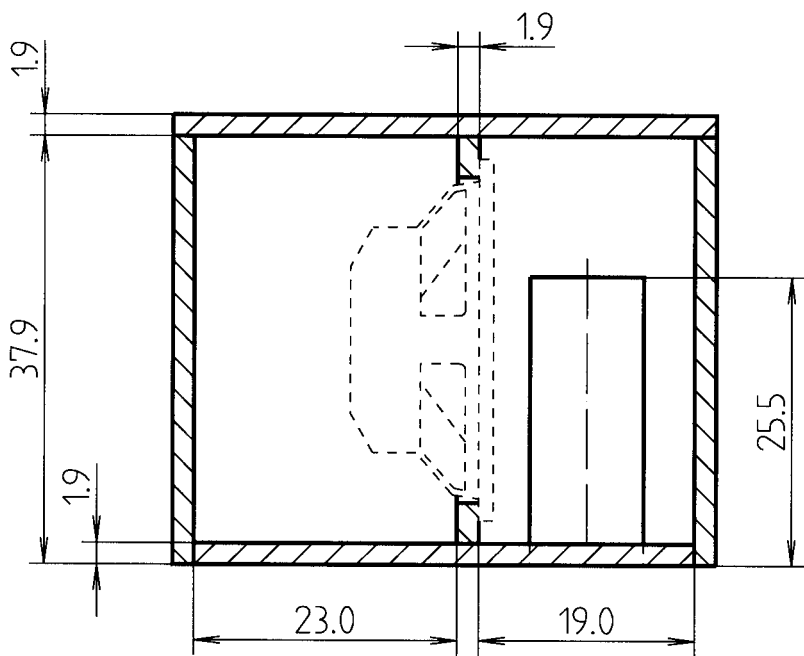
X DETAIL



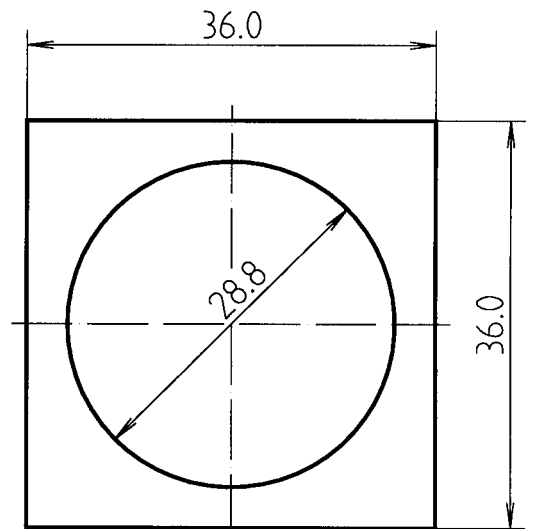
MODEL	ENCLOSURE DESIGN	FREQUENCY RESPONSE	EFFICIENCY	POWER CAPACITY	IMPEDANCE
B-34/9	2 WAY CLOSED BOX	55 Hz - 20 kHz	90 dB 1w @ 1m	60 w RMS	8 ohms.
COMPONENTS	1 bass unit 8''B-40 or 8''WOOFER/P 8 ohms.				
	1 dome tweeter T-2030 or T-2010 8 ohms.				
	1 passive crossover 2V Hi-fi.				



A-A' CROSS SECTION



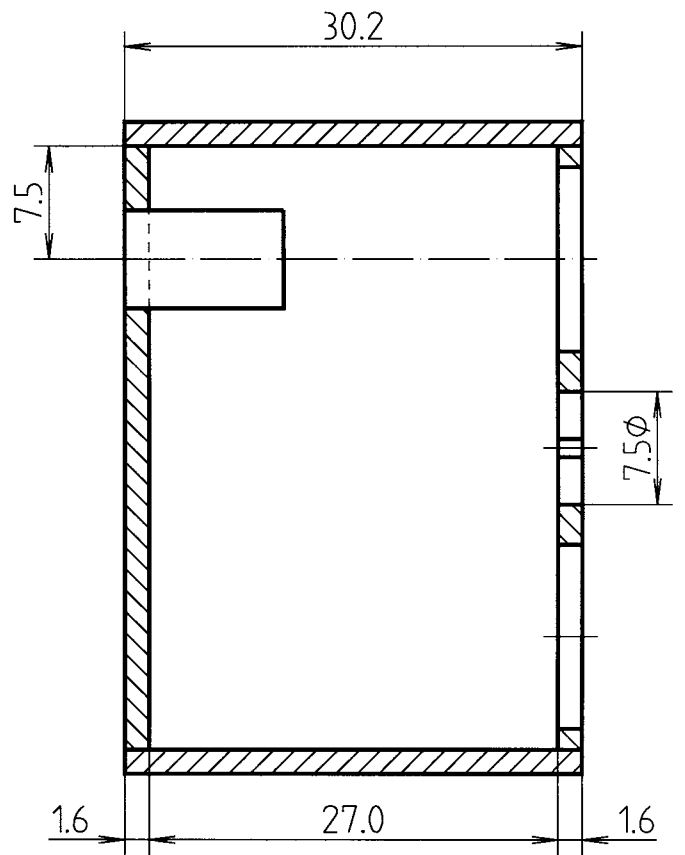
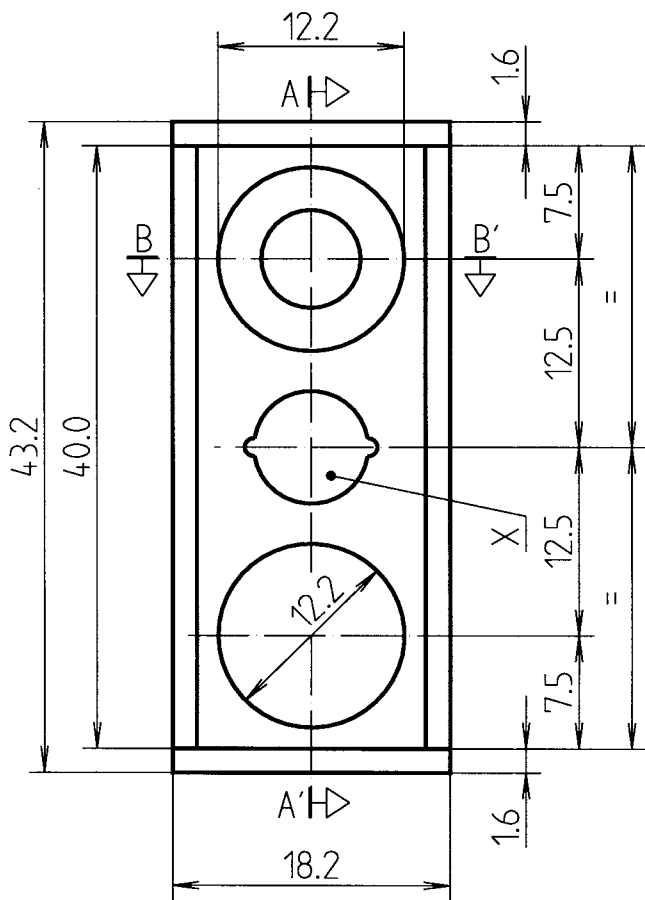
B-B' CROSS SECTION



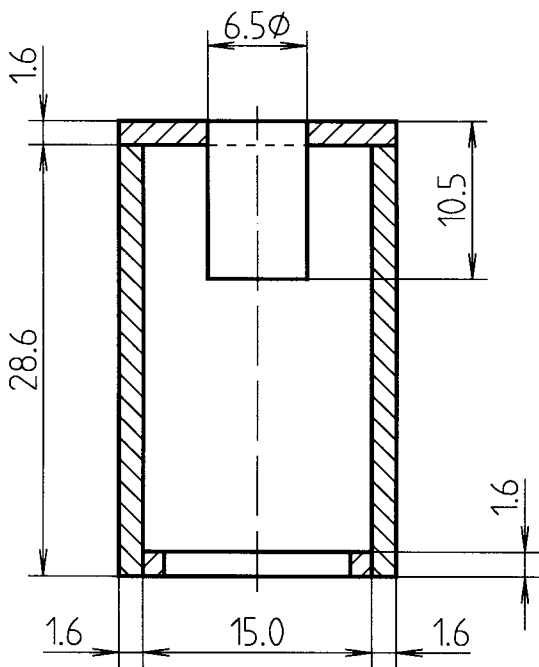
X PIECE



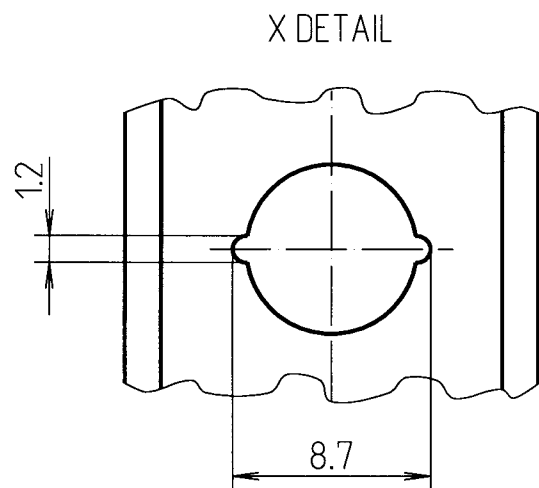
MODEL	ENCLOSURE DESIGN	FREQUENCY RESPONSE	EFFICIENCY	POWER CAPACITY	IMPEDANCE
B-35/9	BAND-PASS SUBWOOFER	45 Hz - 120 Hz	97 dB 1w @ 1m	150 w RMS	8 Ohms.
COMPONENTS	1 bass unit 12''B-100/R 8 ohms.				



A-A' CROSS SECTION



B-B' CROSS SECTION



X DETAIL



MODEL	ENCLOSURE DESIGN	FREQUENCY RESPONSE	EFFICIENCY	POWER CAPACITY	IMPEDANCE
B-36/9	D'APPOLITO 2 WAY BASS-REFLEX	55 Hz - 20 kHz	93 dB 1w @ 1m	100 w RMS	4 ohms. L.F.
COMPONENTS	2 mid-range units 5''MP-60/N 8 ohms.				8 ohms. H.F.
	1 dome tweeter T-2030 8 ohms.				
	1 passive crossover 2V Hi-fi.				