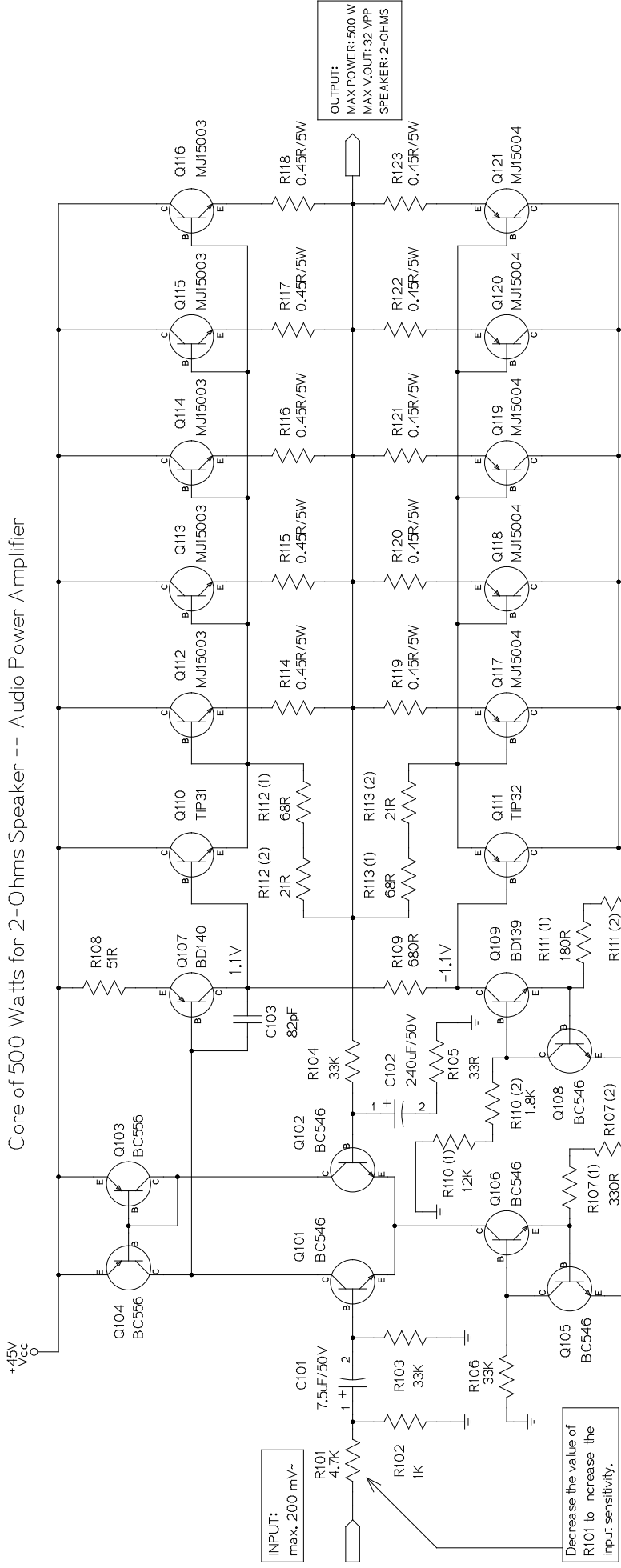


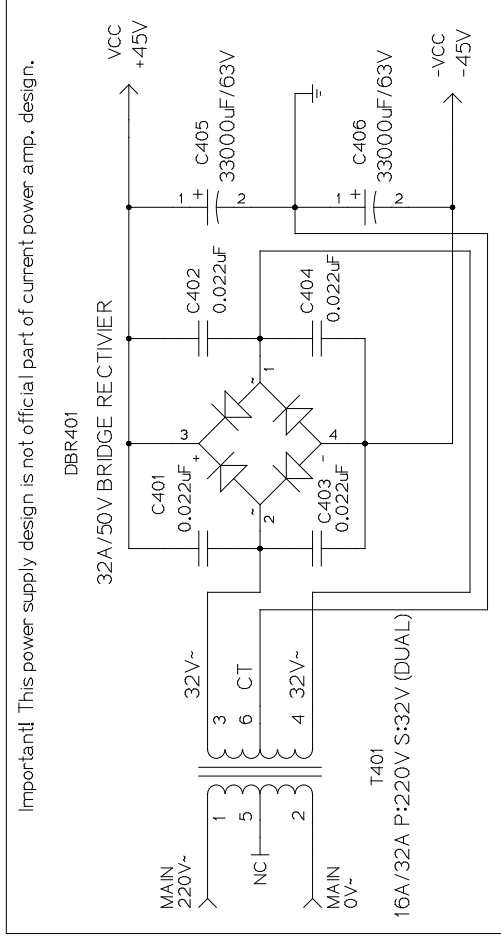
Core of 500 Watts for 2-Ohms Speaker --- Audio Power Amplifier



INPUT: max. 200 mV-

Decrease the value of R101 to increase the input sensitivity.

OUTPUT: 500 W
MAX V. OUT: 32 VPP
SPEAKER: 2-OHMS



Important! This power supply design is not official part of current power amp. design.

Core of 500 Watts for 2-Ohms Speaker --- Audio Power Amplifier
Based Bipolar Transistor Topology

Version 4 (23/05/2010)

Copyright (C) 2010 Heru Himawan Tejo Laksono

This schematic is free derivative of works; you can redistribute it and/or modify it under the terms of the GNU General Public License as published by the Free Software Foundation, either version 3 of the License, or (at your option) any later version.

This schematic is distributed in the hope that it will be useful, but WITHOUT ANY WARRANTY; without even the implied warranty of MERCHANTABILITY or FITNESS FOR A PARTICULAR PURPOSE. See the GNU General Public License for more details.

You should have received a copy of the GNU General Public License along with this schematic. If not, see <http://www.gnu.org/licenses/>.

TITLE: Core of 500 Watts for 2-Ohms Speaker --- Audio Power Amplifier

FILE: REVISION: 4 (23/05/2010)

PAGE: 1 OF 1 DRAWN BY: HERU HIMAWAN TEJO LAKSONO