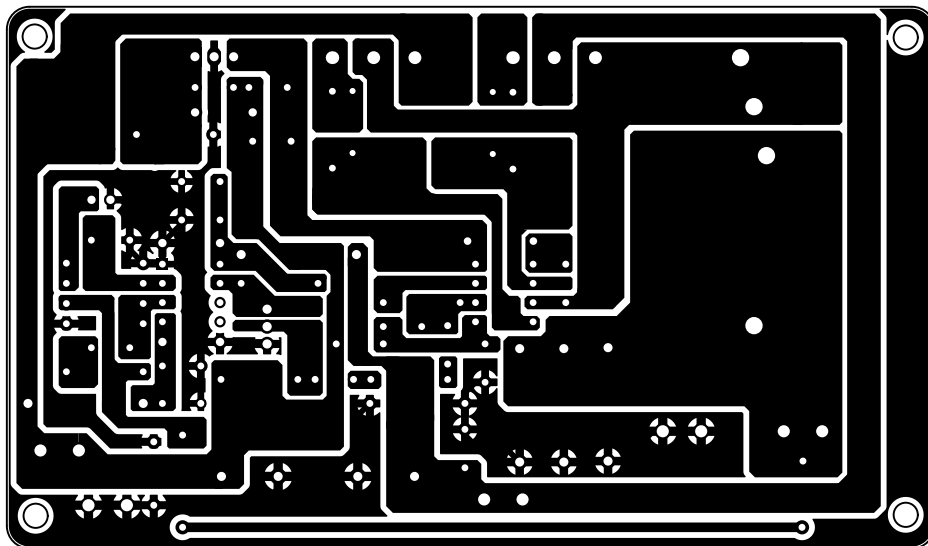
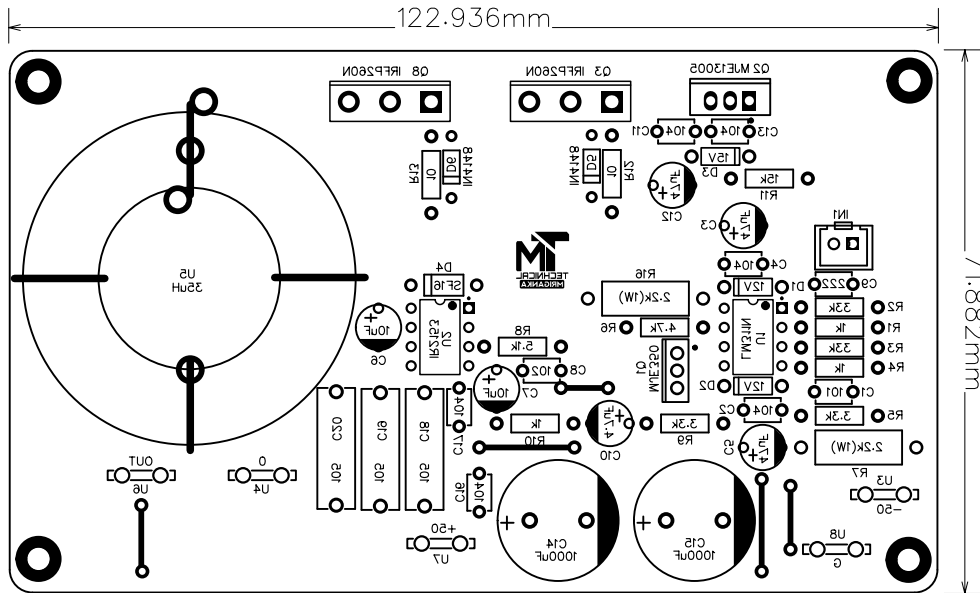


# 400 Watt Class-D Mono Amplifier



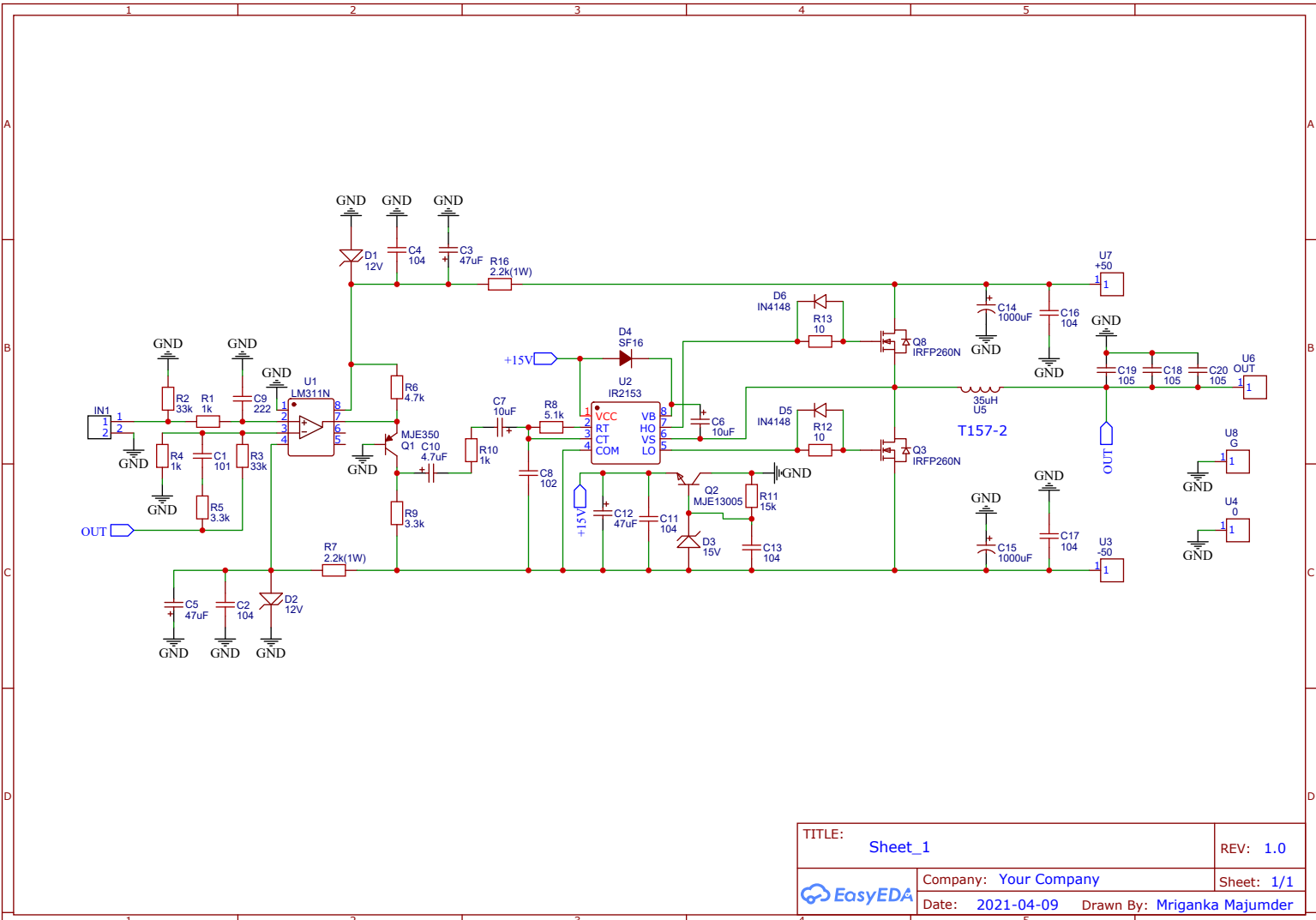
[www.technicalmriganka.com](http://www.technicalmriganka.com)

\*Note - This is printout page. Don't mirror this PCB Layout. Print on A4 page by Laser Printer.

\*License - ©Technical Mriganka. You can't use this PCB Layout for commercial purpose. You can use this PCB Layout only for Educational and DIY projects.

## Components

1. 1×LM311N IC.
2. 1×IR2153 IC.
3. 1×MJE350 Transistor.
4. 1×MJE13005 Transistor.
5. 2×IRFP260N MOSFET.
6. 2×3.3KΩ resistor 1/4W.
7. 2×33KΩ resistor 1/4W.
8. 3×1KΩ resistor 1/4W.
9. 1×5.1KΩ resistor 1/4W.
10. 1×15KΩ resistor 1/4W.
11. 2×10Ω resistor 1/4W.
12. 1×4.7KΩ resistor 1/4W.
13. 2×2.2 - 4.7KΩ resistor 1W.
14. 2×Zener Diode 1N4740/ 1N4742 1W (10V/ 12V).
15. 1×Zener Diode 1N4744 15V 1W.
16. 2×Zener Diode 1N4148.
17. 1× Ultra Fast Diode SF16/ FR107.
18. 6×0.1uF (104) capacitor 50V/ 100V.
19. 1×0.001uF (102) capacitor 50V/ 100V.
20. 1×100pF (101) capacitor 50V/ 100V.
21. 1×0.0022uF (222) capacitor 50V/ 100V.
22. 3×1uF (105) capacitor 250V/ 400V.
23. 3×47uF capacitor 63V.
24. 1×4.7uF capacitor 63V.
25. 2×10uF capacitor 63V.
26. 5×6.3 mm vertical PCB terminal.
27. 1×2 pin connector base 2.54 mm.
28. 1×35uH Coil.
29. 2×1000uF capacitor 63V.



TITLE: Sheet_1		REV: 1.0
Company: Your Company		Sheet: 1/1
Date: 2021-04-09	Drawn By: Mriganka Majumder	