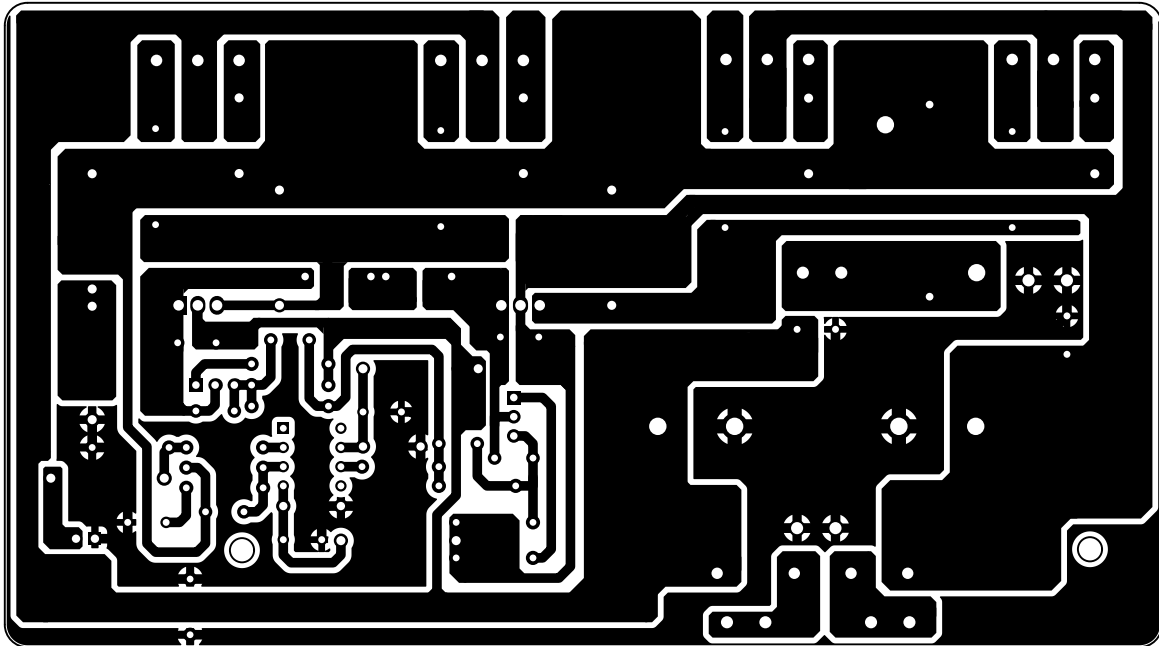
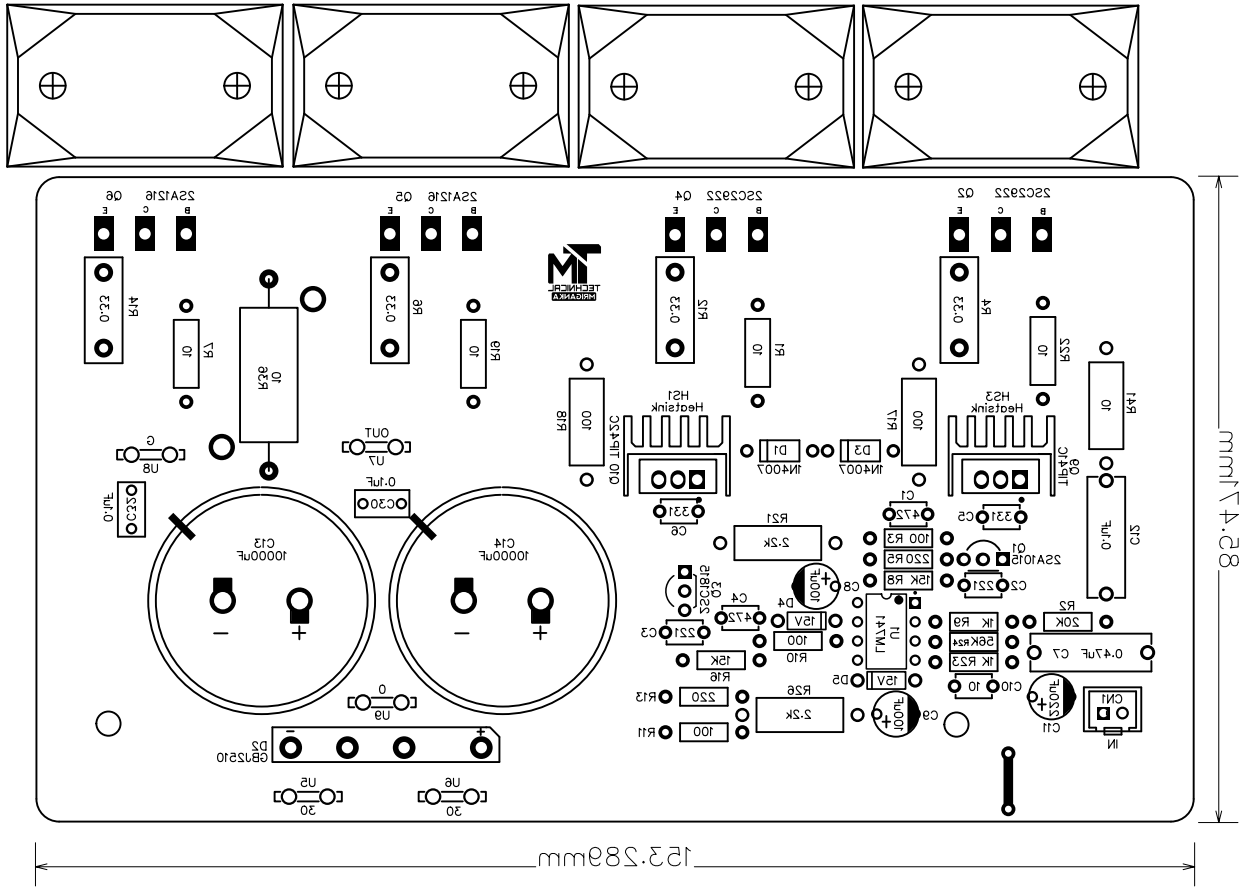


# 250 Watt Mono Amplifier



[www.technicalmriganka.com](http://www.technicalmriganka.com)

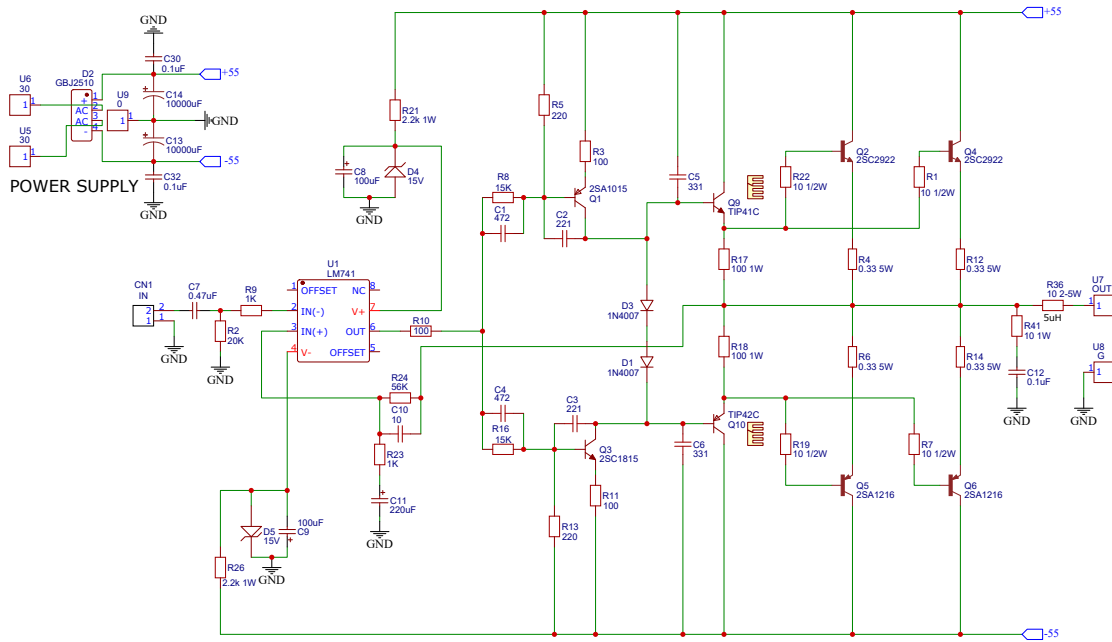
\*Note - This is printout page. Don't mirror this PCB Layout. Print on A4 page by Laser Printer.

\*License - ©Technical Mriganka. You can't use this PCB Layout for commercial purpose. You can use this PCB Layout only for Educational and DIY projects.

**COMPONENTS:-**

1. 1×UA741/ TL071 IC.
2. 1×2SC2922/ 2SC5200 Transistor.
3. 1×2SA1216/ 2SA1943 Transistor.
4. 1×TIP41C Transistor.
5. 1×TIP42C Transistor.
6. 1×C1815 Transistor.
7. 1×A1015 Transistor.
8. 2×1KΩ resistor 1/4W.
9. 2×15KΩ resistor 1/4W.
10. 2×220Ω resistor 1/4W.
11. 3×100Ω resistor 1/4W.
12. 1×56KΩ resistor 1/4W.
13. 1×20K-22KΩ resistor 1/4W.
14. 2×10Ω resistor 1/2W.
15. 2×100Ω resistor 1W.
16. 1×10Ω resistor 1W.
17. 1×10Ω resistor 2W.
18. 2×2.2kΩ resistor 1W.
19. 4×0.33Ω resistor 5W.
20. 1×5uH coil (1.2mm/ 18 gauge copper wire)
21. 1×10pF (10) capacitor 100V.
22. 2×220pF (221) capacitor 100V.
23. 2×0.0047uF (472) capacitor 100V.
24. 2×330pF (331) capacitor 100V.
25. 1×0.47uF (474) capacitor 100V.
26. 1×0.1uF (104) capacitor 250V.
27. 2×100uF capacitor 50/63V.
28. 1×220uF capacitor 25V.
29. 2×10000uF capacitor 63V.
30. 2×1N4007 diode.
31. 2×15V Zener diode.
32. 5×6.3 mm Vertical PCB terminal.
33. 1×2.54 mm socket.
34. 1×8 pin IC base.
35. 1×100k single turn potentiometer.
36. 1×GBJ2510 Bridge rectifier.

www.technicalmriganka.com



TITLE:	REV:
Company:	Sheet:
Date:	Drawn By:

