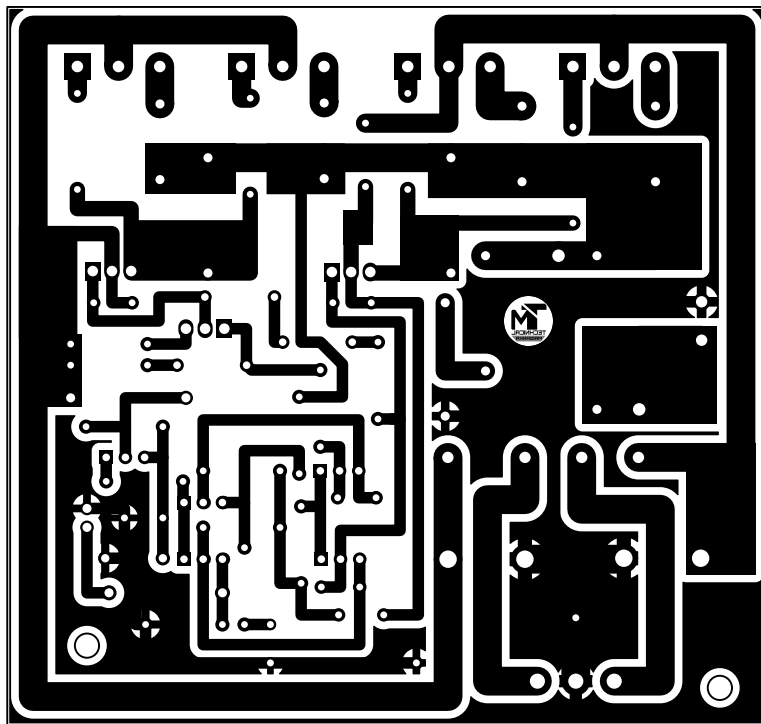
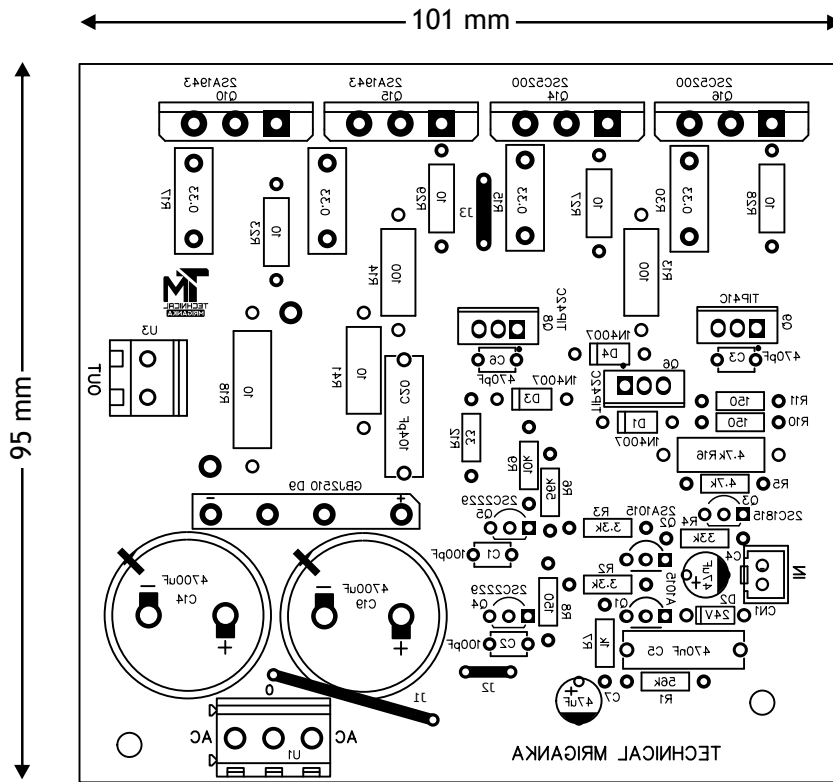


# 200 Watts mono Amplifier



- \***Note**► This is printout page. Don't mirror this pcb layout. Print on A4 page.
- \***License**► ©Technical Mriganka. You can't use this pcb layout for commercial purpose. You can use this pcb layout only for educational and diy projects.